



US00D798156S

(12) **United States Design Patent**
Robson

(10) **Patent No.:** **US D798,156 S**

(45) **Date of Patent:** **** Sep. 26, 2017**

(54) **CONTAINER**

(71) Applicant: **Michael Donald Robson**, Johannesburg
(ZA)

(72) Inventor: **Michael Donald Robson**, Johannesburg
(ZA)

(**) Term: **14 Years**

(21) Appl. No.: **29/518,303**

(22) Filed: **Feb. 23, 2015**

(30) **Foreign Application Priority Data**

Aug. 25, 2014 (EM) 002524264

(51) **LOC (10) Cl.** **09-01**

(52) **U.S. Cl.**
USPC **D9/523**; D9/569; D18/56

(58) **Field of Classification Search**
USPC D9/516, 523, 524, 528, 530, 559, 560,
D9/564, 568, 569, 572, 575, 715, 719,
D9/737, 738, 741, 770; D7/301, 302,
D7/598, 619.1, 619.2; D18/56
CPC . B65D 85/00; B65D 1/02; B65D 1/12; B65D
1/18; B65D 1/20; B65D 21/0237
See application file for complete search history.

(56) **References Cited**

U.S. PATENT DOCUMENTS

D32,027 S *	12/1899	Kronkosky	D9/563
D94,496 S *	2/1935	Kihn	D9/568
D163,595 S *	6/1951	Gale	D9/544
D341,781 S *	11/1993	Sanyal	D9/516
D368,275 S *	3/1996	Sakurai	D18/56

D455,079 S *	4/2002	Kratko	D9/520
D458,140 S *	6/2002	Hutchins	D9/523
D472,975 S *	4/2003	Iori	D24/216
D521,391 S *	5/2006	Andoh	D9/522
D540,857 S *	4/2007	Hattori	347/86
D618,723 S *	6/2010	Tamaki	D18/56
D634,362 S *	3/2011	Inoue	D18/56
D646,974 S *	10/2011	Latour	D9/452
D704,259 S *	5/2014	Lecheheb	D18/56
D709,127 S *	7/2014	Boyd	D18/56
D762,261 S *	7/2016	Takagiwa	D18/56
D774,407 S *	12/2016	Khattak	D10/81
2015/0191960 A1 *	7/2015	Robson	B65D 85/00 109/25

* cited by examiner

Primary Examiner — Ian Simmons

Assistant Examiner — Keith Frank

(74) *Attorney, Agent, or Firm* — Tutunjian & Bitetto, P.C.

(57) **CLAIM**

The ornamental design for a container, as shown and described.

DESCRIPTION

FIG. 1 is a perspective view of the container showing my new design;

FIG. 2 is a top view thereof;

FIG. 3 is a bottom view thereof;

FIG. 4 is a left side view thereof;

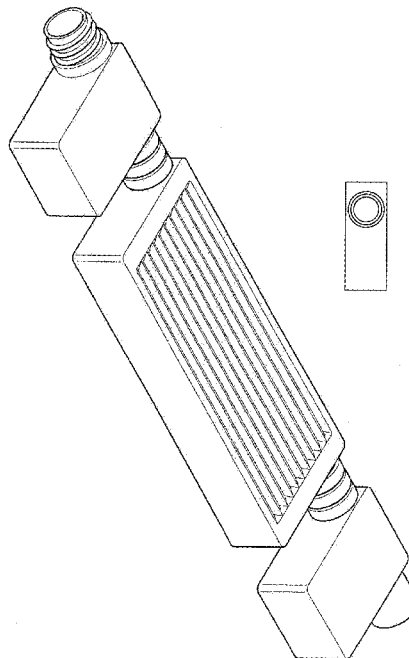
FIG. 5 is a right side view thereof;

FIG. 6 is a front view thereof; and,

FIG. 7 is a rear view thereof.

The broken lines in the drawings illustrate the portions of the container that form no part of the claimed design.

1 Claim, 3 Drawing Sheets



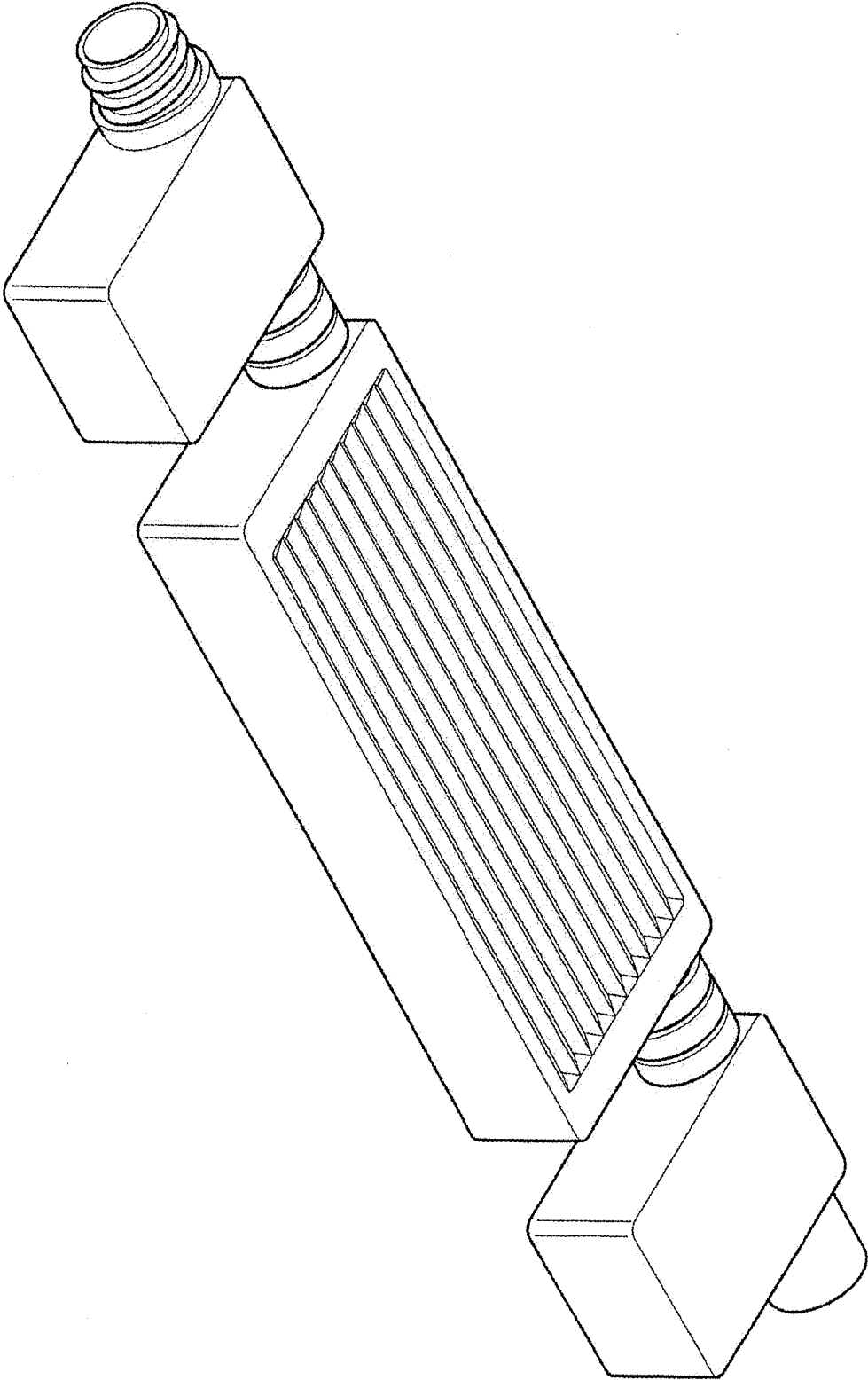


FIGURE 1

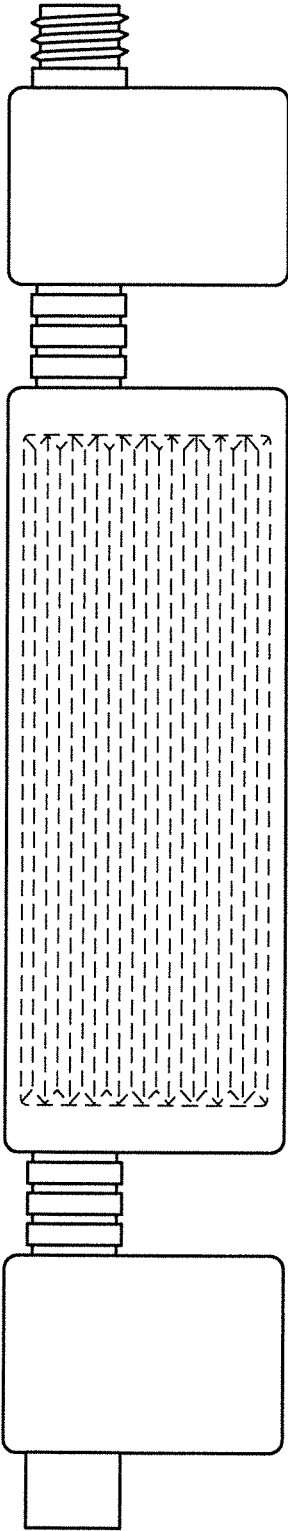


FIGURE 2

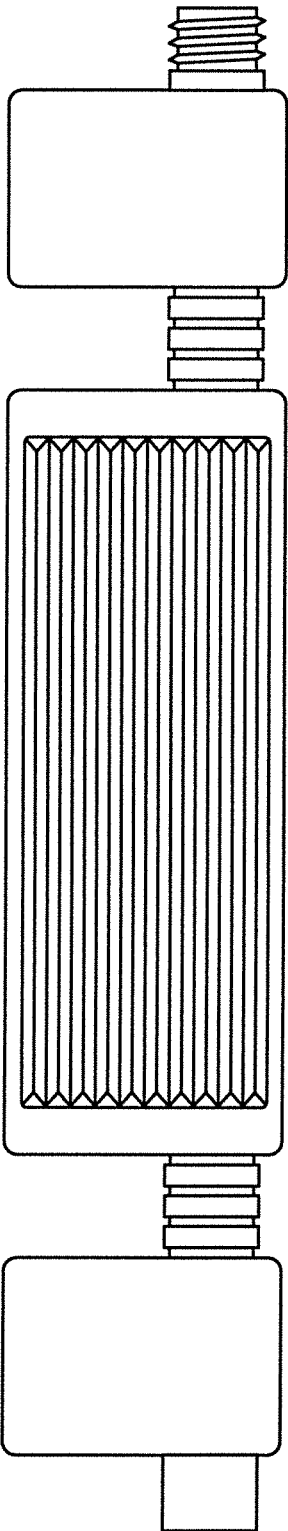


FIGURE 3



FIGURE 4



FIGURE 5



FIGURE 6



FIGURE 7