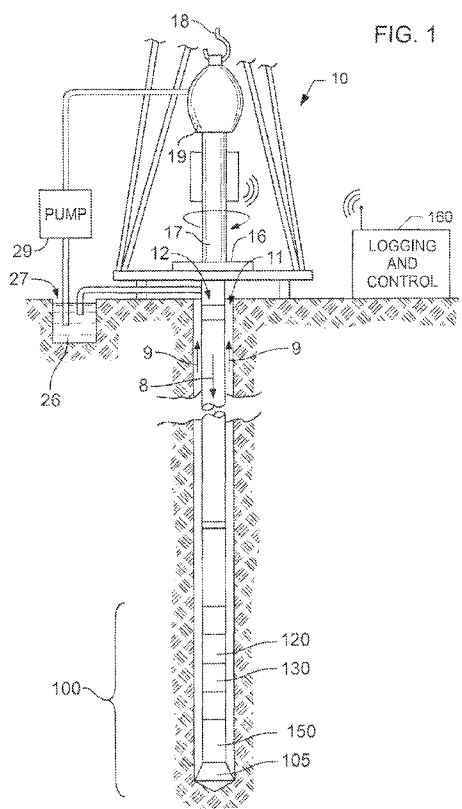




- (51) International Patent Classification:  
E21B 47/00 (2006.01) E21B 49/00 (2006.01)  
E21B 47/18 (2006.01)
- (21) International Application Number: PCT/US2012/030098
- (22) International Filing Date: 22 March 2012 (22.03.2012)
- (25) Filing Language: English
- (26) Publication Language: English
- (30) Priority Data: 13/069,674 23 March 2011 (23.03.2011) US
- (71) Applicant (for CA only): SCHLUMBERGER CANADA LIMITED [CA/CA]; 525-3rd Avenue Southwest, Calgary, Alberta T2P-0G4 (CA).
- (71) Applicant (for FR only): SERVICES PETROLIERS SCHLUMBERGER [FR/FR]; 42 rue Saint Dominique, F-75007 Paris (FR).
- (71) Applicant (for GB, JP, NL only): SCHLUMBERGER HOLDINGS LIMITED [GB/GB]; P.O. Box 71, Craigmuir Chambers, Road Town, Tortola, Virgin Islands, British GB 1110 (GB).
- (71) Applicant (for AL, AM, AU, AZ, BF, BG, BJ, BY, CF, CG, CI, CM, CO, CZ, DE, DK, GA, GN, GQ, GR, GW, HU, ID, IE, IL, IT, KG, KP, KR, KZ, LT, MD, ML, MR, MX, MY, NE, NO, NZ, OM, PL, QA, RO, RU, SI, SK, SN, TD, TG, TH, TJ, TM, TN, TR, TT, UZ, ZA only): SCHLUMBERGER TECHNOLOGY B.V. [NL/NL]; Parkstraat 83-89m, NL-2514 JG The Hague (NL).
- (71) Applicant (for all designated States except AU, CA, CO, CZ, DE, DK, FR, GB, GR, HU, ID, IE, IL, IT, KR, LT, MX, MY, NL, NO, NZ, OM, PL, QA, RO, SI, TN, TR, TT, US, UZ, ZA): PRAD RESEARCH AND DEVELOPMENT LIMITED [GB/GB]; P.O. Box 71, Craigmuir Chambers, Road Town, Tortola, Virgin Island, British GB 1110 (GB).
- (72) Inventors; and
- (75) Inventors/Applicants (for US only): CHANG, Yong [CN/US]; 6826 Portuguese Bend Dr., Missouri City, Texas

[Continued on next page]

(54) Title: MEASUREMENT PRETEST DRAWDOWN METHODS AND APPARATUS



(57) Abstract: Methods of and apparatus to perform a drawdown of a formation fluid in a downhole environment are disclosed. An example method includes contacting a borehole wall with a fluid communication device of a formation testing tool and performing a first type of drawdown to draw fluid into the fluid communication device. The method also includes detecting a breach of a mudcake on the borehole wall during performance of the first type of drawdown and performing a second type of drawdown to draw fluid into the sample probe in response to detecting the breach of the mudcake. The second type of drawdown is different than the first type of drawdown. Furthermore, the example method includes confirming the breach of the mudcake on the borehole wall during performance of the second type of drawdown.

WO 2012/129389 A3



77459 (US). **POP, Julian** [AU/US]; 9550 Ella Lee Ln., Apt# 2101, Houston, Texas 77063 (US).

(74) **Agents: FLYNN, Michael** et al.; 10001 Richmond Avenue, IP Administration Center of Excellence, Room 4720, Houston, Texas 77042 (US).

(81) **Designated States** (*unless otherwise indicated, for every kind of national protection available*): AE, AG, AL, AM, AO, AT, AU, AZ, BA, BB, BG, BH, BR, BW, BY, BZ, CA, CH, CL, CN, CO, CR, CU, CZ, DE, DK, DM, DO, DZ, EC, EE, EG, ES, FI, GB, GD, GE, GH, GM, GT, HN, HR, HU, ID, IL, IN, IS, JP, KE, KG, KM, KN, KP, KR, KZ, LA, LC, LK, LR, LS, LT, LU, LY, MA, MD, ME, MG, MK, MN, MW, MX, MY, MZ, NA, NG, NI, NO, NZ, OM, PE, PG, PH, PL, PT, QA, RO, RS, RU, RW, SC, SD, SE, SG, SK, SL, SM, ST, SV, SY, TH, TJ, TM, TN, TR, TT, TZ, UA, UG, US, UZ, VC, VN, ZA, ZM, ZW.

(84) **Designated States** (*unless otherwise indicated, for every kind of regional protection available*): ARIPO (BW, GH, GM, KE, LR, LS, MW, MZ, NA, RW, SD, SL, SZ, TZ, UG, ZM, ZW), Eurasian (AM, AZ, BY, KG, KZ, MD, RU, TJ, TM), European (AL, AT, BE, BG, CH, CY, CZ, DE, DK, EE, ES, FI, FR, GB, GR, HR, HU, IE, IS, IT, LT, LU, LV, MC, MK, MT, NL, NO, PL, PT, RO, RS, SE, SI, SK, SM, TR), OAPI (BF, BJ, CF, CG, CI, CM, GA, GN, GQ, GW, ML, MR, NE, SN, TD, TG).

**Published:**

- with international search report (*Art. 21(3)*)
- before the expiration of the time limit for amending the claims and to be republished in the event of receipt of amendments (*Rule 48.2(h)*)

(88) **Date of publication of the international search report:**

27 December 2012

## INTERNATIONAL SEARCH REPORT

International application No.  
**PCT/US2012/030098****A. CLASSIFICATION OF SUBJECT MATTER***E21B 47/00(2006.01)i, E21B 47/18(2006.01)i, E21B 49/00(2006.01)i*

According to International Patent Classification (IPC) or to both national classification and IPC

**B. FIELDS SEARCHED**

Minimum documentation searched (classification system followed by classification symbols)

E21B 47/00; E21B 47/06; G01V 3/14; E21B 47/12

Documentation searched other than minimum documentation to the extent that such documents are included in the fields searched

Korean utility models and applications for utility models

Japanese utility models and applications for utility models

Electronic data base consulted during the international search (name of data base and, where practicable, search terms used)

eKOMPASS(KIPO internal) &amp; Keywords: downhole,formation testing tool, fluid communication device, probe, drawdown, mudcake breach

**C. DOCUMENTS CONSIDERED TO BE RELEVANT**

Category*	Citation of document, with indication, where appropriate, of the relevant passages	Relevant to claim No.
A	US 2009-0165548 A1 (POP, JULIAN et al.) 02 July 2009 See paragraphs 0010, 0088, 0095, 0096, 0101, 0102, 0153, 0206, 0339.	1-20
A	US 2010-0264915 A1 (SALDUNGARAY, PABLO et al.) 21 October 2010 See paragraphs 0107, 0108 and figure 6.	1-20
A	US 2007-0198192 A1 (HSU, KAI et al.) 23 August 2007 See paragraphs 0178, 0208 and figure 22.	1-20
A	US 2010-0050762 A1 (NOLD, III, RAYMOND V. et al.) 04 March 2010 See paragraph 0043 and figure 3.	1-20

 Further documents are listed in the continuation of Box C. See patent family annex.

\* Special categories of cited documents:

"A" document defining the general state of the art which is not considered to be of particular relevance

"E" earlier application or patent but published on or after the international filing date

"L" document which may throw doubts on priority claim(s) or which is cited to establish the publication date of citation or other special reason (as specified)

"O" document referring to an oral disclosure, use, exhibition or other means

"P" document published prior to the international filing date but later than the priority date claimed

"T" later document published after the international filing date or priority date and not in conflict with the application but cited to understand the principle or theory underlying the invention

"X" document of particular relevance; the claimed invention cannot be considered novel or cannot be considered to involve an inventive step when the document is taken alone

"Y" document of particular relevance; the claimed invention cannot be considered to involve an inventive step when the document is combined with one or more other such documents, such combination being obvious to a person skilled in the art

"&amp;" document member of the same patent family

Date of the actual completion of the international search

29 OCTOBER 2012 (29.10.2012)

Date of mailing of the international search report

**31 OCTOBER 2012 (31.10.2012)**

Name and mailing address of the ISA/KR

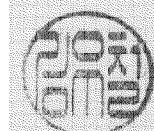
Korean Intellectual Property Office  
189 Cheongsa-ro, Seo-gu, Daejeon Metropolitan  
City, 302-701, Republic of Korea

Facsimile No. 82-42-472-7140

Authorized officer

Kim Woo Chul

Telephone No. 82-42-481-8183



## INTERNATIONAL SEARCH REPORT

Information on patent family members

International application No.

**PCT/US2012/030098**

Patent document cited in search report	Publication date	Patent family member(s)	Publication date
US 2009-0165548 A1	02.07.2009	CN 101960087 A	26.01.2011
		EP 2240669 A2	20.10.2010
		MX 2010007106 A	12.08.2010
		US 8136395 B2	20.03.2012
		WO 2009-088816 A2	16.07.2009
		WO 2009-088816 A3	30.12.2009
		WO 2009-088816 A8	15.07.2010
US 2010-0264915 A1	21.10.2010	WO 2009-058980 A2	07.05.2009
		WO 2009-058980 A3	16.09.2010
US 2007-0198192 A1	23.08.2007	AU 2003-244534 A1	25.03.2004
		AU 2003-244534 B2	18.05.2006
		BR P10800216A	21.10.2008
		CA 2440494 A1	09.03.2004
		CA 2440494 C	05.06.2007
		CA 2622651 A1	05.09.2008
		CA 2622651 C	21.09.2010
		CN 100379939 C0	09.04.2008
		CN 101092874 A	26.12.2007
		CN 101092874 B	06.07.2011
		CN 101092874 C0	26.12.2007
		CN 101260804 A	10.09.2008
		CN 101260804 C0	10.09.2008
		CN 1495336 A	12.05.2004
		CN 1495336 C0	09.04.2008
		EP 1396607 A2	10.03.2004
		EP 1396607 A3	16.06.2004
		EP 1396607 B1	07.06.2006
		EP 1553260 A2	13.07.2005
		EP 1553260 A3	20.07.2005
		EP 1898046 A2	12.03.2008
		EP 1898046 A3	17.12.2008
		GB 0801538 D0	05.03.2008
		GB 2447322 A	10.09.2008
		GB 2447322 B	10.06.2009
		GB 2456429 A	22.07.2009
		MX 2008002842 A	25.02.2009
		RU 2008108534 A	10.09.2009
		US 2004-0045706 A1	11.03.2004
		US 2004-0050588 A1	18.03.2004
		US 2005-0087009 A1	28.04.2005
		US 2005-0098312 A1	12.05.2005
		US 2005-0173113 A1	11.08.2005
US 2005-0187715 A1	25.08.2005		
US 2007-0175273 A1	02.08.2007		
US 6832515 B2	21.12.2004		
US 7024930 B2	11.04.2006		
US 7036579 B2	02.05.2006		

**INTERNATIONAL SEARCH REPORT**

Information on patent family members

International application No.

**PCT/US2012/030098**

Patent document cited in search report	Publication date	Patent family member(s)	Publication date
		US 7117734 B2	10.10.2006
		US 7210344 B2	01.05.2007
		US 7263880 B2	04.09.2007
		US 7290443 B2	06.11.2007
		US 7805247 B2	28.09.2010
US 2010-0050762 A1	04.03.2010	BR P10902663A2	03.08.2010
		GB 0914525 D0	30.09.2009
		GB 2462911 A	03.03.2010
		GB 2462911 B	25.05.2011
		MX 2009009161 A	30.04.2010
		N020092918A	03.03.2010
		US 8015869 B2	13.09.2011