

(19) World Intellectual Property Organization
International Bureau



(43) International Publication Date
13 October 2011 (13.10.2011)

(10) International Publication Number
WO 2011/126751 A3

- (51) International Patent Classification:
F24C 7/02 (2006.01) *H05B 6/12* (2006.01)
- (21) International Application Number:
PCT/US2011/029705
- (22) International Filing Date:
24 March 2011 (24.03.2011)
- (25) Filing Language: English
- (26) Publication Language: English
- (30) Priority Data:
61/318,438 29 March 2010 (29.03.2010) US
61/400,395 26 July 2010 (26.07.2010) US
- (71) Applicant (for all designated States except US):
GRAPHIC PACKAGING INTERNATIONAL, INC.
[US/US]; 814 Livingston Court, Marietta, GA 30067 (US).

CA, CH, CL, CN, CO, CR, CU, CZ, DE, DK, DM, DO, DZ, EC, EE, EG, ES, FI, GB, GD, GE, GH, GM, GT, HN, HR, HU, ID, IL, IN, IS, JP, KE, KG, KM, KN, KP, KR, KZ, LA, LC, LK, LR, LS, LT, LU, LY, MA, MD, ME, MG, MK, MN, MW, MX, MY, MZ, NA, NG, NI, NO, NZ, OM, PE, PG, PH, PL, PT, RO, RS, RU, SC, SD, SE, SG, SK, SL, SM, ST, SV, SY, TH, TJ, TM, TN, TR, TT, TZ, UA, UG, US, UZ, VC, VN, ZA, ZM, ZW.

(84) Designated States (unless otherwise indicated, for every kind of regional protection available): ARIPO (BW, GH, GM, KE, LR, LS, MW, MZ, NA, SD, SL, SZ, TZ, UG, ZM, ZW), Eurasian (AM, AZ, BY, KG, KZ, MD, RU, TJ, TM), European (AL, AT, BE, BG, CH, CY, CZ, DE, DK, EE, ES, FI, FR, GB, GR, HR, HU, IE, IS, IT, LT, LU, LV, MC, MK, MT, NL, NO, PL, PT, RO, RS, SE, SI, SK, SM, TR), OAPI (BF, BJ, CF, CG, CI, CM, GA, GN, GQ, GW, ML, MR, NE, SN, TD, TG).

Declarations under Rule 4.17:

- as to applicant's entitlement to apply for and be granted a patent (Rule 4.17(ii))
- as to the applicant's entitlement to claim the priority of the earlier application (Rule 4.17(iii))

Published:

- with international search report (Art. 21(3))
- before the expiration of the time limit for amending the claims and to be republished in the event of receipt of amendments (Rule 48.2(h))

[Continued on next page]

(54) Title: MICROWAVE HEATING APPARATUS WITH FOOD SUPPORTING CRADLE

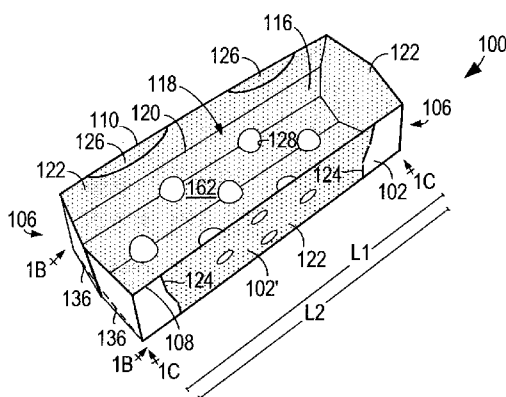


FIG. 1A

(57) Abstract: A microwave heating construct includes a first side wall and a second side wall opposite one another and a food-supporting panel extending between the first side wall and the second side wall. The first side wall includes a movable portion for being positioned over the food-supporting panel. The food-supporting panel and/or the movable portion of the first side wall may include microwave energy interactive material.



WO 2011/126751 A3

(88) Date of publication of the international search report:
5 January 2012

A. CLASSIFICATION OF SUBJECT MATTER*F24C 7/02(2006.01)i, H05B 6/12(2006.01)i*

According to International Patent Classification (IPC) or to both national classification and IPC

B. FIELDS SEARCHED

Minimum documentation searched (classification system followed by classification symbols)

F24C 7/02; H05B 6/64; B65D 81/34; B65D 43/00; H05B 6/80; B65D 5/54

Documentation searched other than minimum documentation to the extent that such documents are included in the fields searched

Korean utility models and applications for utility models

Japanese utility models and applications for utility models

Electronic data base consulted during the international search (name of data base and, where practicable, search terms used)

eKOMPASS(KIPO internal) & Keywords: oven, microwave energy interactive material, heating construct

C. DOCUMENTS CONSIDERED TO BE RELEVANT

Category*	Citation of document, with indication, where appropriate, of the relevant passages	Relevant to claim No.
A	EP 2150091 A1 (GRAPHIC PACKAGING INTERNATIONAL, INC.) 03 February 2010 See abstract, figures 1A-1G and paragraphs 6-60.	1-20
A	US 2008-0308614 A1 (FITZWATER KELLY R.) 18 December 2008 See abstract, figures 1-7 and paragraphs 35-137.	1-20
A	US 2010-0065556 A1 (COLE LORIN R.) 18 March 2010 See abstract, figures 1, 2 and paragraphs 15-57.	1-20
A	US 2009-0277899 A1 (COLE LORIN R.) 12 November 2009 See abstract, figures 1-5 and paragraphs 25-72.	1-20
A	JP 09-020374 A (The Fireworks Popcorn Company) 21 January 1997 See abstract, figures 1-7 and paragraphs 12-29.	1-20

 Further documents are listed in the continuation of Box C. See patent family annex.

* Special categories of cited documents:

"A" document defining the general state of the art which is not considered to be of particular relevance

"E" earlier application or patent but published on or after the international filing date

"L" document which may throw doubts on priority claim(s) or which is cited to establish the publication date of citation or other special reason (as specified)

"O" document referring to an oral disclosure, use, exhibition or other means

"P" document published prior to the international filing date but later than the priority date claimed

"T" later document published after the international filing date or priority date and not in conflict with the application but cited to understand the principle or theory underlying the invention

"X" document of particular relevance; the claimed invention cannot be considered novel or cannot be considered to involve an inventive step when the document is taken alone

"Y" document of particular relevance; the claimed invention cannot be considered to involve an inventive step when the document is combined with one or more other such documents, such combination being obvious to a person skilled in the art

"&" document member of the same patent family


Date of the actual completion of the international search

15 NOVEMBER 2011 (15.11.2011)

Date of mailing of the international search report

17 NOVEMBER 2011 (17.11.2011)

Name and mailing address of the ISA/KR


 Korean Intellectual Property Office
 Government Complex-Daejeon, 189 Cheongsa-ro,
 Seo-gu, Daejeon 302-701, Republic of Korea

Facsimile No. 82-42-472-7140

Authorized officer

Kim, Do Weon

Telephone No. 82-42-481-5769



INTERNATIONAL SEARCH REPORT

Information on patent family members

International application No.

PCT/US2011/029705

Patent document cited in search report	Publication date	Patent family member(s)	Publication date
EP 2150091 A1	03.02.2010	CA 2729849 A1 US 2010-0025393 A1 WO 2010-014422 A2	04.02.2010 04.02.2010 04.02.2010
US 2008-0308614 A1	18.12.2008	CA 2629426 A1 EP 1960289 A2 JP 2009-518249 A US 2007-0131742 A1 US 2007-0131743 A1 US 2007-0131745 A1 US 2011-0163090 A1 US 7414230 B2 US 7667167 B2 US 7893389 B2 US 7928349 B2 WO 2007-067705 A2	14.06.2007 27.08.2008 07.05.2009 14.06.2007 14.06.2007 14.06.2007 07.07.2011 19.08.2008 23.02.2010 22.02.2011 19.04.2011 14.06.2007
US 2010-0065556 A1	18.03.2010	CA 2735896 A1 US 2011-0024413 A1 WO 2010-033557 A2	25.03.2010 03.02.2011 25.03.2010
US 2009-0277899 A1	12.11.2009	CA 2721096 A1 EP 2272303 A2 JP 2011-519793 A WO 2009-137642 A2	12.11.2009 12.01.2011 14.07.2011 12.11.2009
JP 09-020374 A	21.01.1997	US 05468939A A	21.11.1995