



US00D694399S

(12) **United States Design Patent**  
**Ritsche**

(10) **Patent No.:** **US D694,399 S**

(45) **Date of Patent:** **\*\* Nov. 26, 2013**

(54) **SUBLINGUAL FLUID PRODUCT DISPENSER**

(75) Inventor: **Stefan Ritsche**, Eigeltingen (DE)

(73) Assignee: **Valois SAS**, Le Neubourg (FR)

(\*\*) Term: **14 Years**

(21) Appl. No.: **29/403,371**

(22) Filed: **Oct. 5, 2011**

(30) **Foreign Application Priority Data**

Apr. 6, 2011 (EP) ..... 001846700-0002

(51) **LOC (9) Cl.** ..... **29-02**

(52) **U.S. Cl.**  
USPC ..... **D24/110**

(58) **Field of Classification Search**  
USPC ..... D24/110, 164; D9/682; 128/200.11,  
128/200.23, 205.23; 222/82; 239/337  
See application file for complete search history.

(56) **References Cited**

**U.S. PATENT DOCUMENTS**

D270,568	S	*	9/1983	Armstrong	.....	D24/129
D331,106	S	*	11/1992	Fuchs	.....	D24/110
5,655,689	A	*	8/1997	Fuchs et al.	.....	222/321.3
5,944,222	A	*	8/1999	Fuchs et al.	.....	222/82

6,626,379	B1	*	9/2003	Ritsche et al.	.....	239/337
6,708,846	B1	*	3/2004	Fuchs et al.	.....	222/82
6,732,955	B1	*	5/2004	Ritsche et al.	.....	239/333
6,789,750	B1	*	9/2004	Heldt	.....	239/490
D570,477	S	*	6/2008	Gallogly et al.	.....	D24/130
D572,820	S	*	7/2008	Gallogly et al.	.....	D24/130

\* cited by examiner

*Primary Examiner* — Ian Simmons

*Assistant Examiner* — Richelle Shelton

(74) *Attorney, Agent, or Firm* — Sughrue Mion, PLLC

(57) **CLAIM**

The ornamental design for a sublingual fluid product dispenser, as shown and described.

**DESCRIPTION**

FIG. 1 is a right side view of a sublingual fluid product dispenser;

FIG. 2 is a left side view thereof;

FIG. 3 is front view thereof;

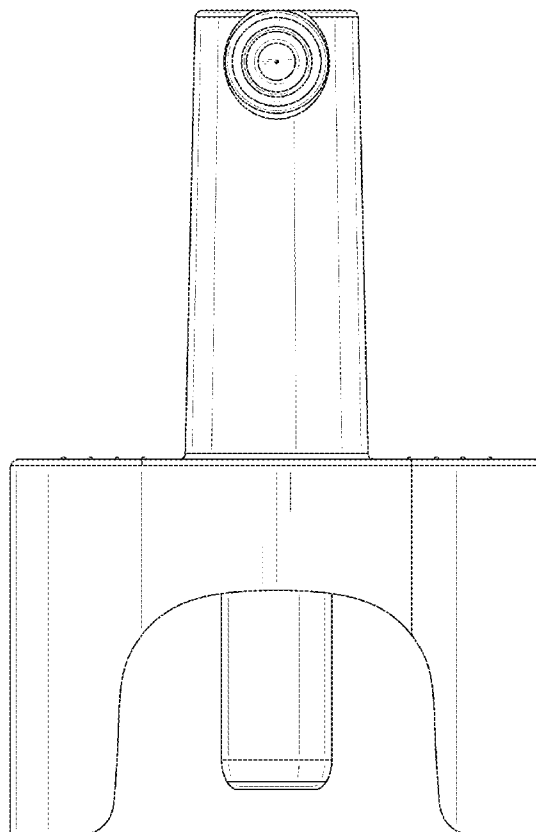
FIG. 4 is rear view thereof;

FIG. 5 is a bottom view thereof; and,

FIG. 6 is a top view.

The broken line showing of portions of the article is included for the purpose of illustrating environmental structure and forms no part of the claimed design.

**1 Claim, 6 Drawing Sheets**



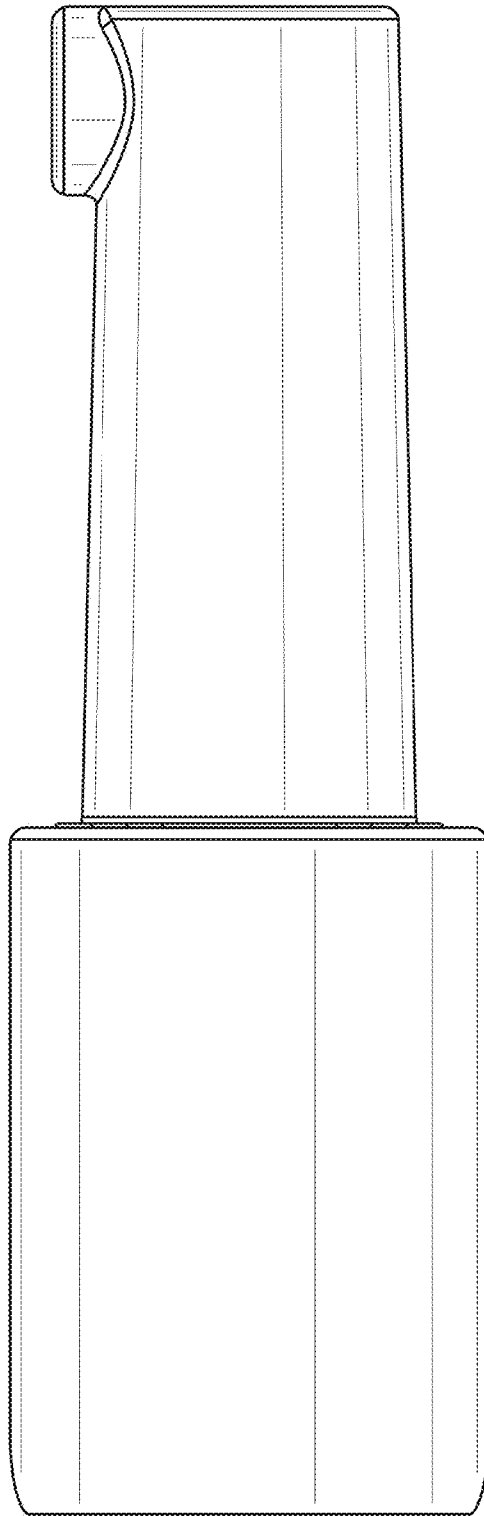


FIG. 1

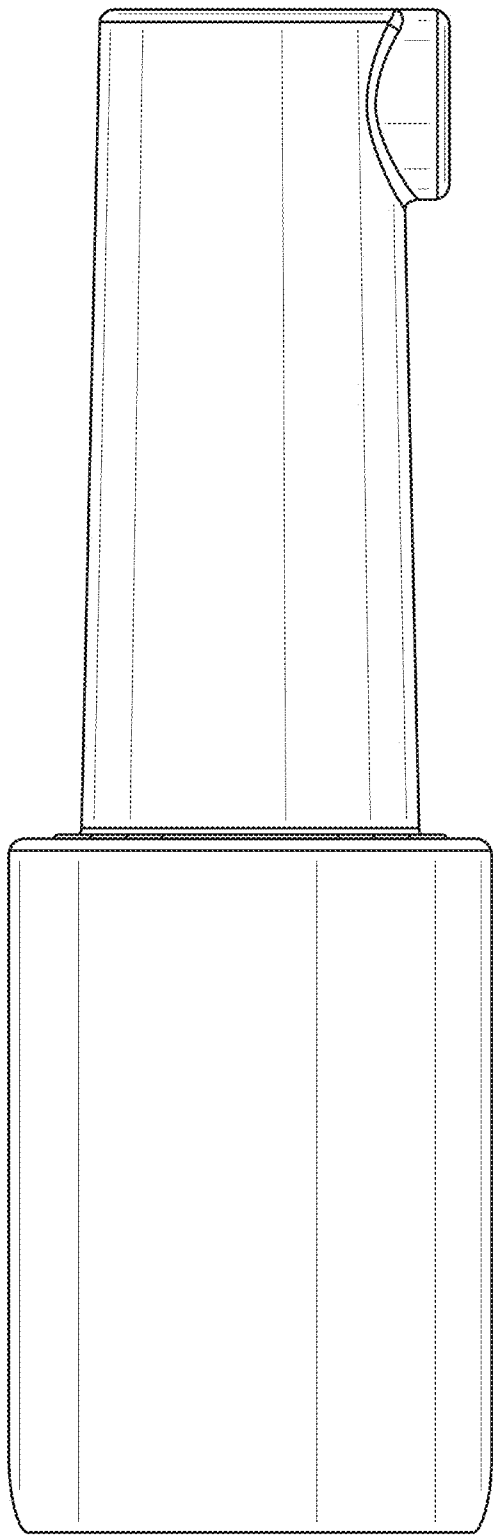


FIG. 2

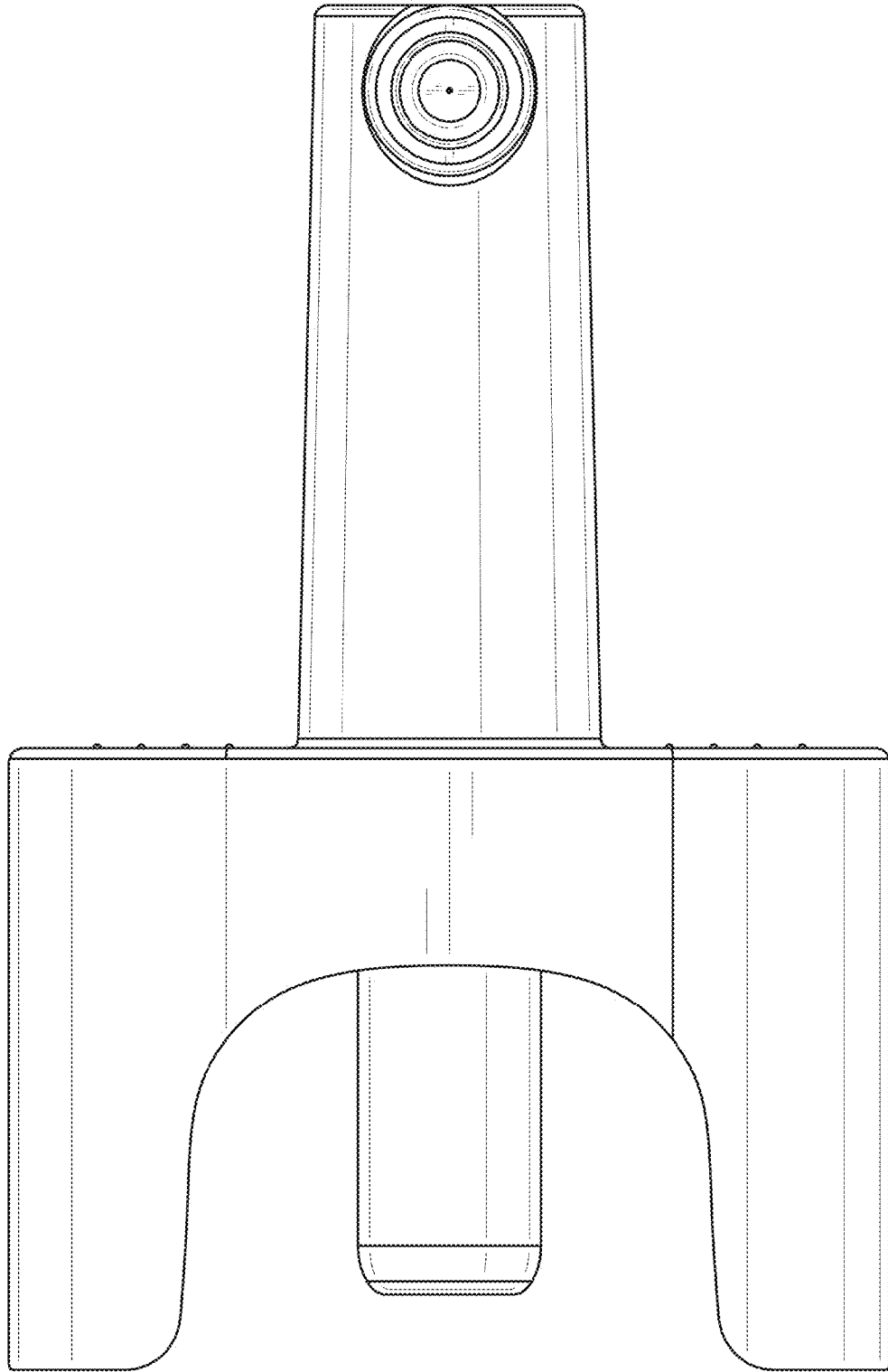


FIG. 3

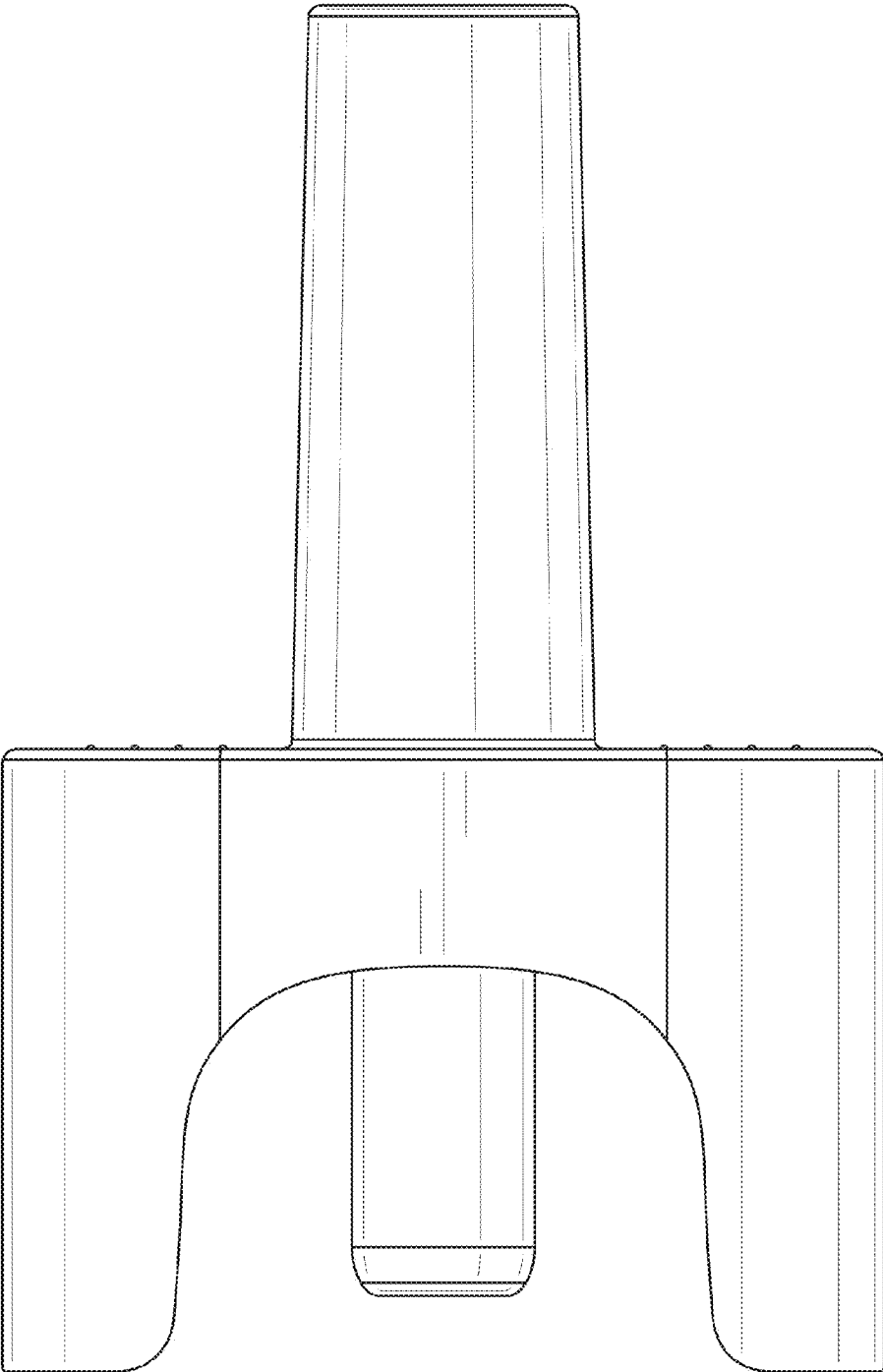


FIG. 4

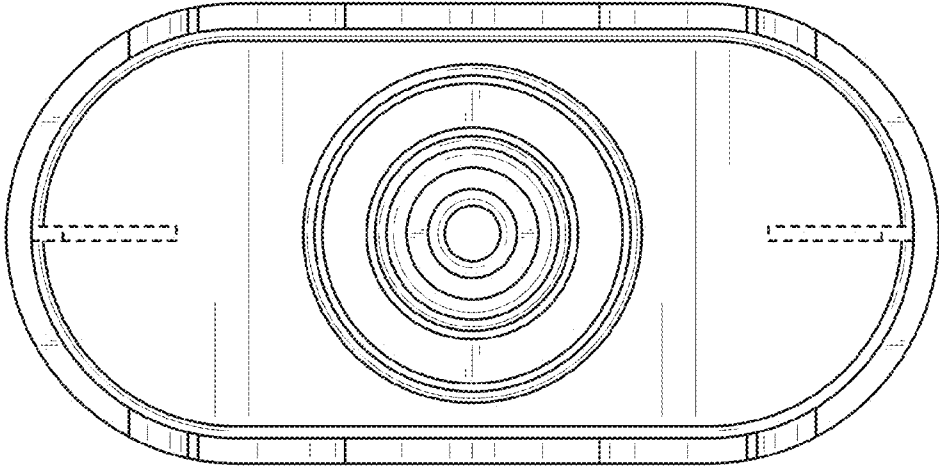


FIG. 5

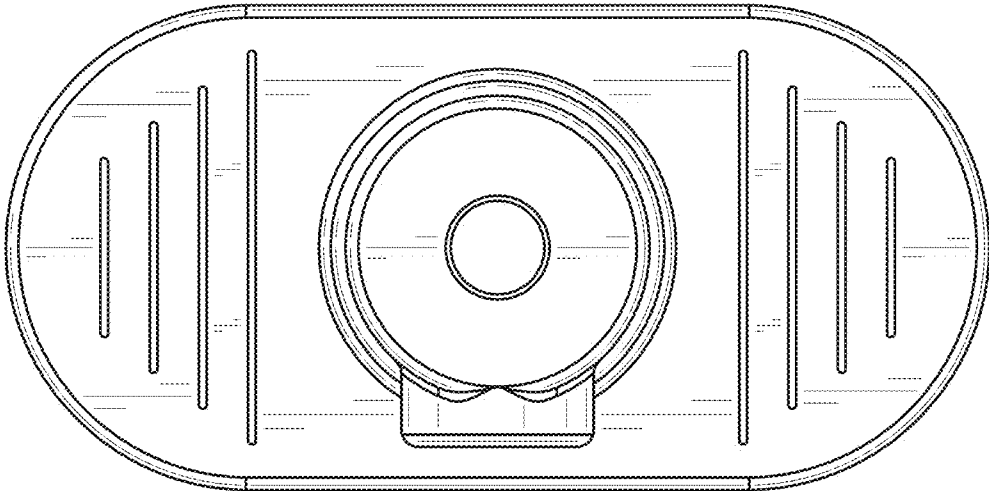


FIG. 6