



US00D451998B1

(12) **United States Design Patent** (10) **Patent No.:** **US D451,998 S**
Crawford et al. (45) **Date of Patent:** **** Dec. 11, 2001**

(54) **NEEDLE ASSEMBLY**

(75) Inventors: **Jamieson William Maclean Crawford**,
New York, NY (US); **Stefanie Livanos**,
Bethlehem, PA (US)

(73) Assignee: **Becton, Dickinson and Company**,
Franklin Lakes, NJ (US)

(**) Term: **14 Years**

(21) Appl. No.: **29/135,071**

(22) Filed: **Jan. 5, 2001**

(51) **LOC (7) Cl.** **24-02**

(52) **U.S. Cl.** **D24/112; D24/130**

(58) **Field of Search** D24/112, 130,
D24/146, 128, 147; 604/177, 198, 263,
190, 178, 165.08, 165.03, 164.08, 164.07,
164.04, 164.03, 180, 104.01, 165.04, 174

(56) **References Cited**

U.S. PATENT DOCUMENTS

D. 408,530 * 4/1999 Eliasen et al. D24/112
2,725,058 * 11/1955 Rathkey 604/177

4,326,519 * 4/1982 D'Alo et al. D24/112
5,108,376 * 4/1992 Bonaldo 604/177
5,120,320 * 6/1992 Fayngold 604/177
5,192,275 * 3/1993 Burns 604/263

* cited by examiner

Primary Examiner—Ian Simmons

(74) *Attorney, Agent, or Firm*—Nanette S. Thomas

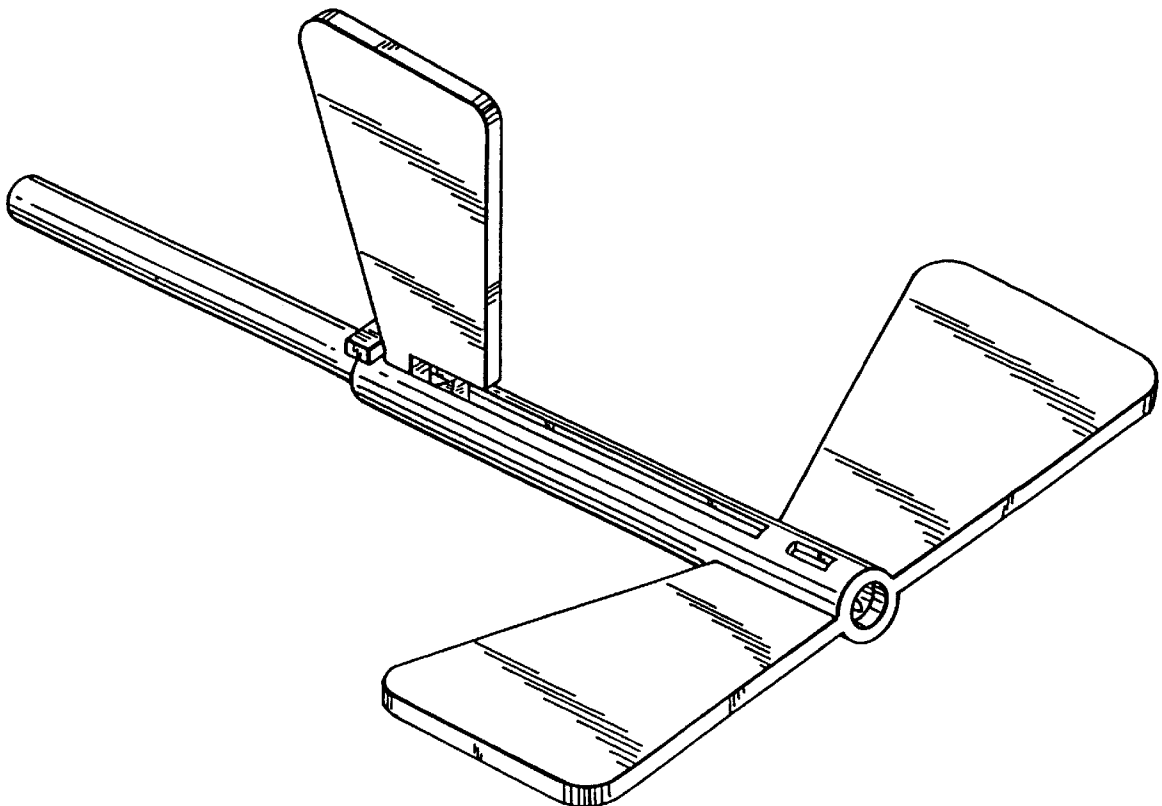
(57) **CLAIM**

The ornamental design of a needle assembly, as shown and described.

DESCRIPTION

FIG. 1 is a perspective view of the needle assembly;
FIG. 2 is a top plan view thereof;
FIG. 3 is an end elevational view as viewed from the right of FIG. 2;
FIG. 4 is a right side elevational view thereof, with the left side elevational view being a mirror image thereof;
FIG. 5 is an end elevational view as viewed from the left of FIG. 2; and,
FIG. 6 is a bottom plan view thereof.

1 Claim, 4 Drawing Sheets



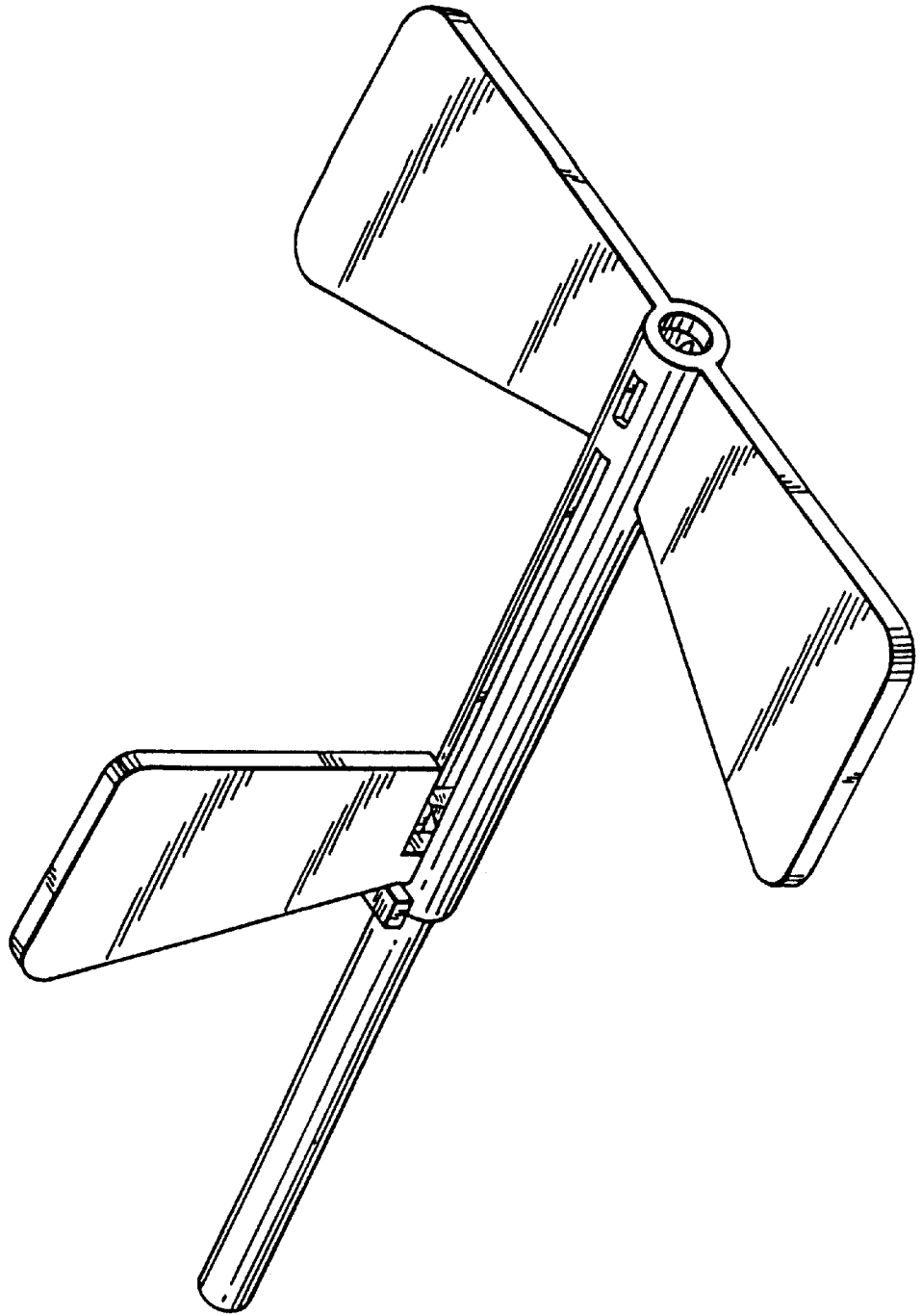


FIG. 1

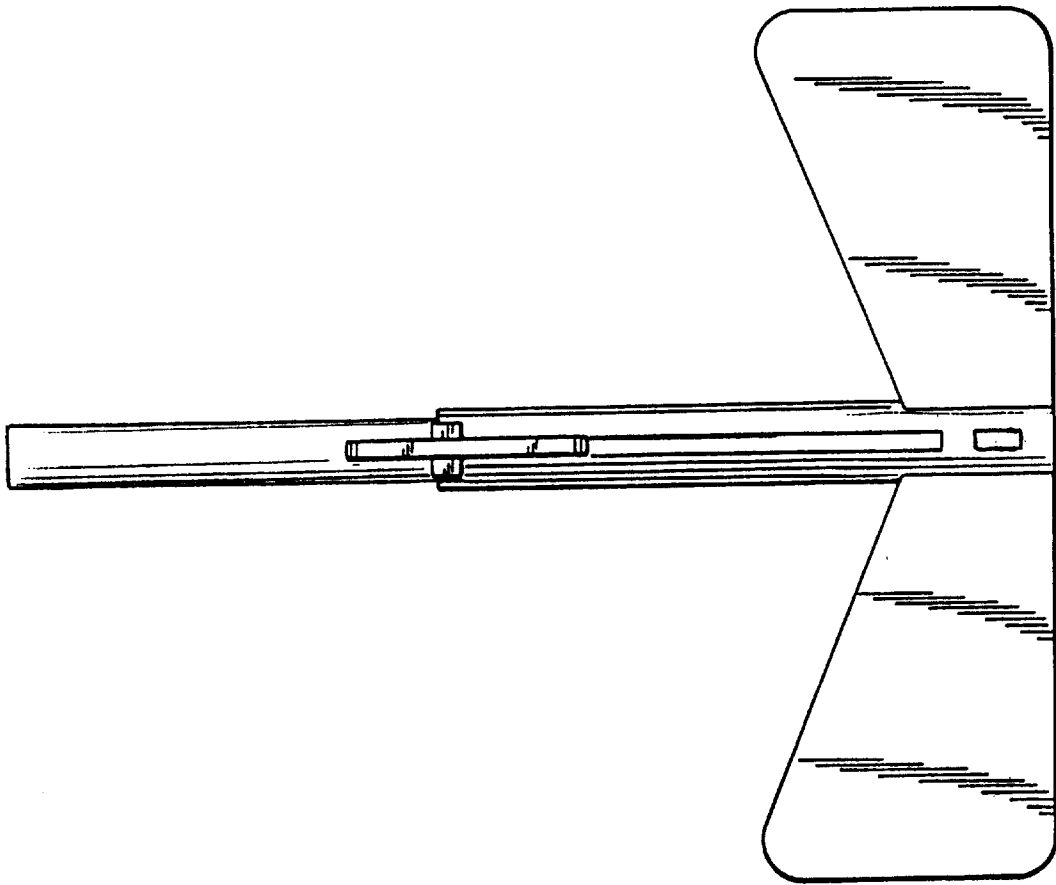


FIG. 2

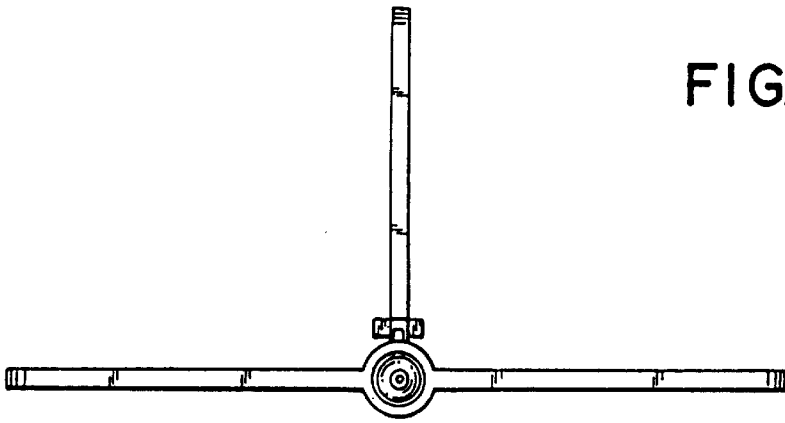


FIG. 3

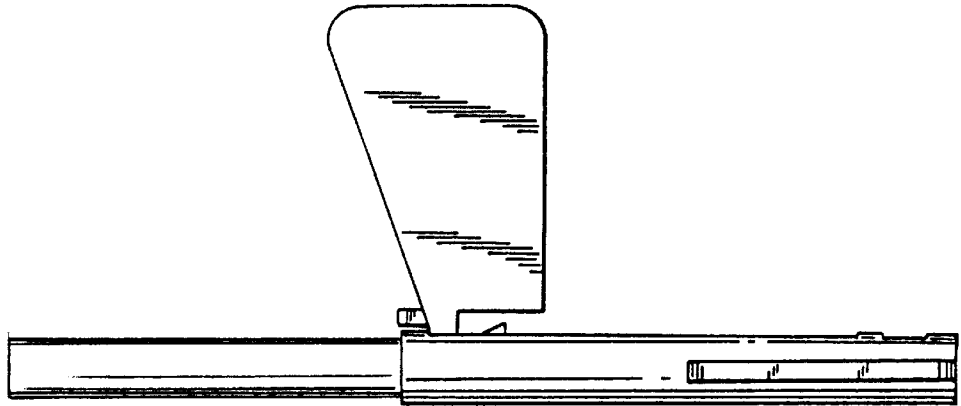


FIG. 4

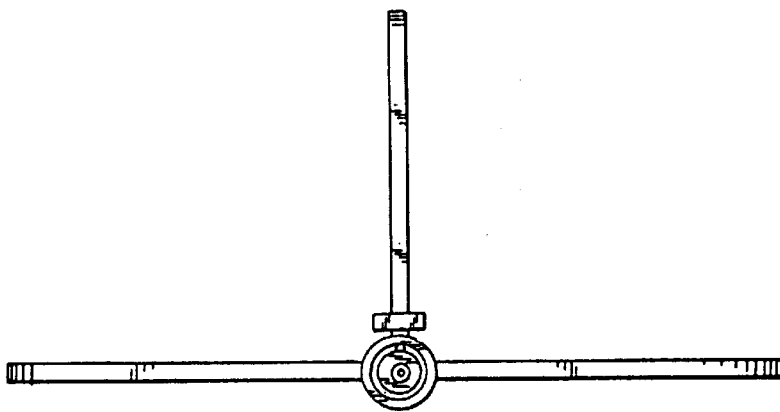


FIG. 5

FIG. 6

