



US00D855309S

(12) **United States Design Patent**
Patel et al.

(10) **Patent No.:** **US D855,309 S**

(45) **Date of Patent:** **** Aug. 6, 2019**

- (54) **VIAL WITH MAGNIFYING GLASS AND BREAKABLE TABS**
- (71) Applicants: **Miteshkumar Ishwarbhai Patel**, San Leandro, CA (US); **Raj Kalpesh Patel**, San Jose, CA (US)
- (72) Inventors: **Miteshkumar Ishwarbhai Patel**, San Leandro, CA (US); **Raj Kalpesh Patel**, San Jose, CA (US)
- (73) Assignee: **DOSE PACK LLC**, San Juan, PR (US)
- (**) Term: **15 Years**

5,181,630 A *	1/1993	McNally	B65D 23/06
				222/109
5,711,442 A *	1/1998	Kusz	B65D 50/046
				215/209
D391,757 S *	3/1998	Johnson	D3/203.2
D401,115 S *	11/1998	Huang	D7/589
5,899,348 A *	5/1999	Konefal	B65D 50/046
				215/209
5,927,528 A *	7/1999	Jones	B65D 41/06
				116/309
D426,461 S *	6/2000	Noble	D3/203.3
6,710,703 B2 *	3/2004	Huang	A61J 7/0472
				340/309.16
D584,569 S *	1/2009	Buchman	D7/602
D584,925 S *	1/2009	Buchman	D7/602
D602,784 S *	10/2009	Rothberg	D9/447

(Continued)

- (21) Appl. No.: **29/635,665**
- (22) Filed: **Feb. 1, 2018**

Primary Examiner — John Windmuller
Assistant Examiner — Steven J Czyn
 (74) *Attorney, Agent, or Firm* — Firasat Ali Creso Legal LLP

Related U.S. Application Data

- (63) Continuation-in-part of application No. 29/609,660, filed on Jul. 3, 2017.
- (51) **LOC (12) Cl.** **03-01**
- (52) **U.S. Cl.** **D3/203.1**
USPC
- (58) **Field of Classification Search**
USPC D3/201, 202, 203.1, 203.2, 203.3, 203.4;
D7/589, 602, 629; D9/745, 746, 547,
D9/549, 550, 563, 564
CPC A61J 1/03; A61J 7/04; A61J 7/0436; A61J
7/0472; B65D 50/046; B65D 75/522;
B65D 41/04; B65D 41/06
See application file for complete search history.

References Cited

U.S. PATENT DOCUMENTS

4,103,797 A *	8/1978	Morris	B65D 50/046
				215/209
D280,281 S *	8/1985	Conti	D7/602

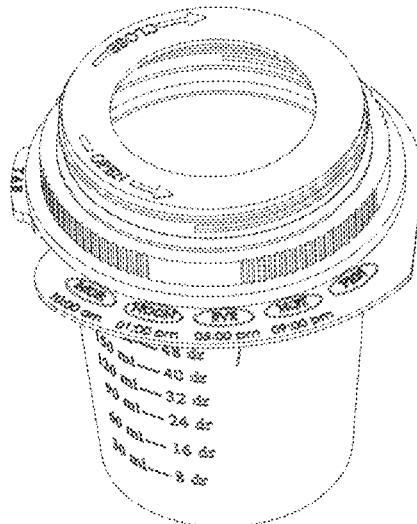
(57) **CLAIM**

The ornamental design for a vial with a magnifying glass and breakable tabs, as shown and described.

DESCRIPTION

FIG. 1 is a front side perspective view of a vial with magnifying glass and breakable tabs, according to my new design;
 FIG. 2 is a rear side thereof;
 FIG. 3 is a perspective view of the vial with magnifying glass and breakable tabs shown with the cap separate from the vial;
 FIG. 4 is another perspective view of the vial with magnifying glass and breakable tabs shown with the cap separate from the vial; and,
 FIG. 5 is top perspective view of just the cap of the vial with magnifying glass and breakable tabs, shown separate from ease of disclosure.

1 Claim, 5 Drawing Sheets



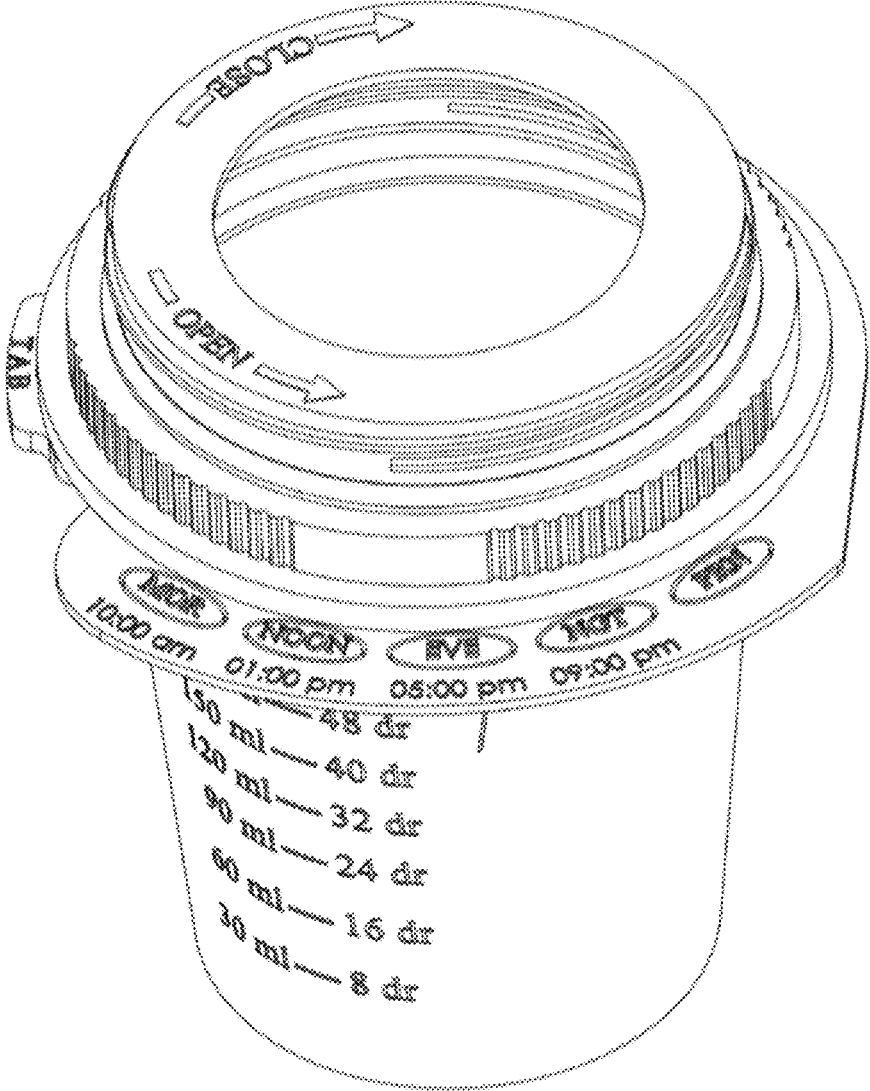


FIG. 1

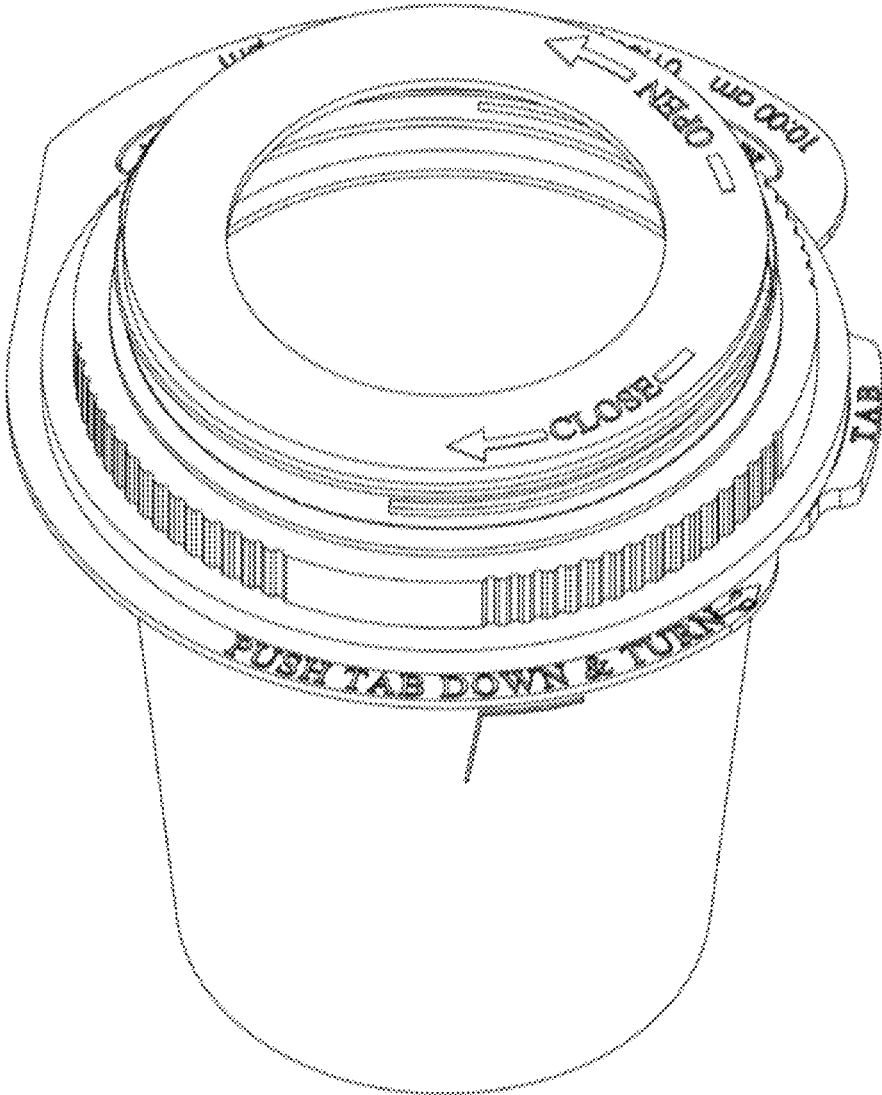


FIG. 2

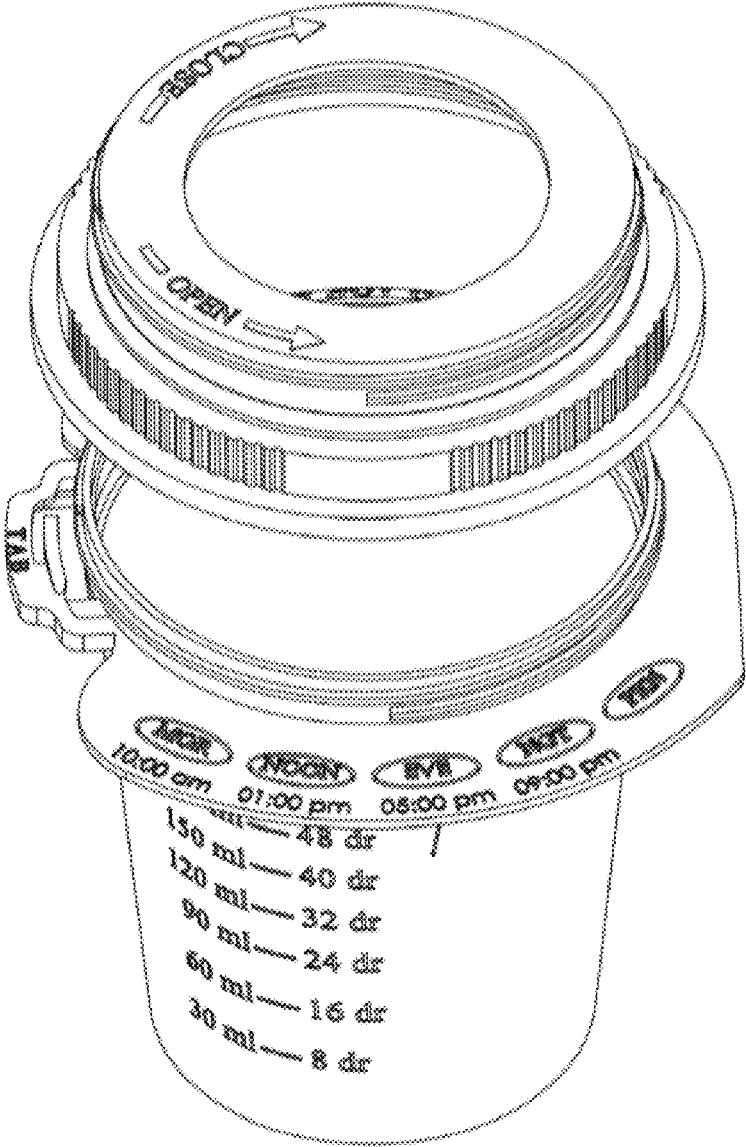


FIG. 3

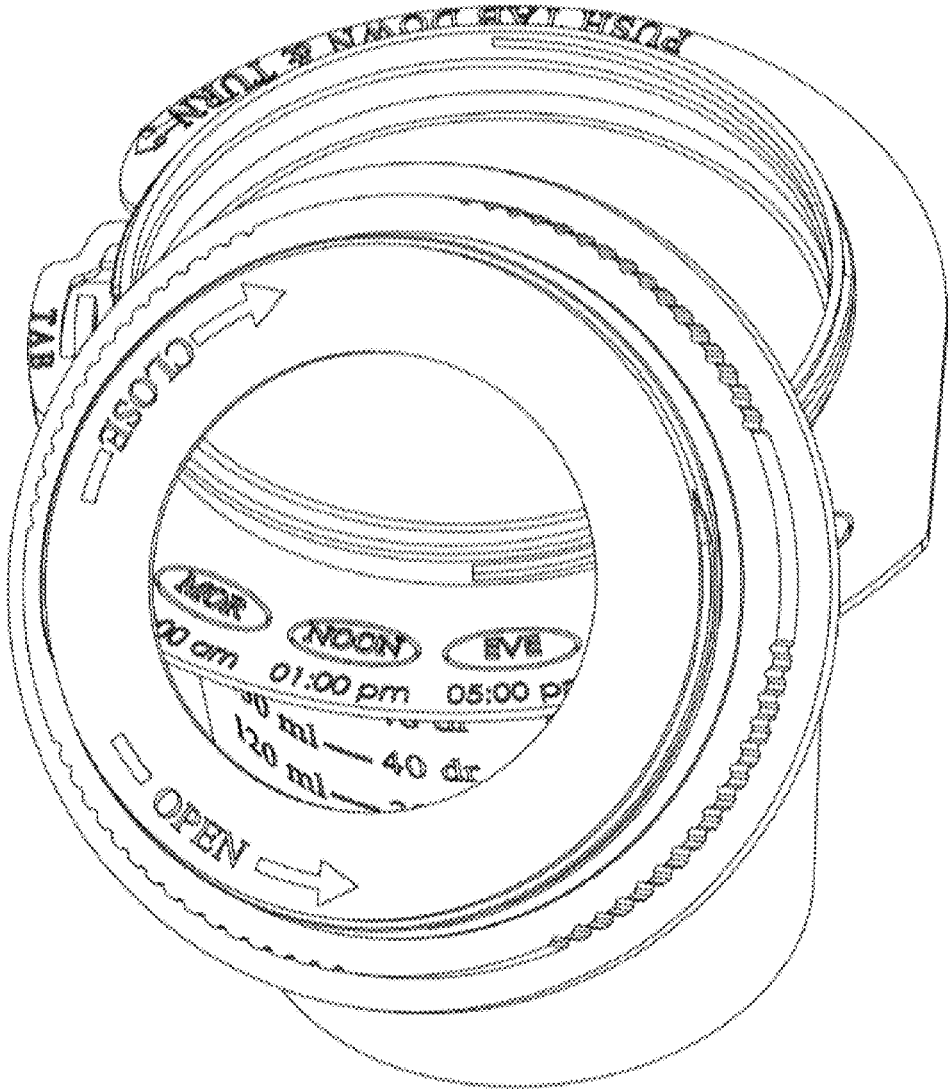


FIG. 4

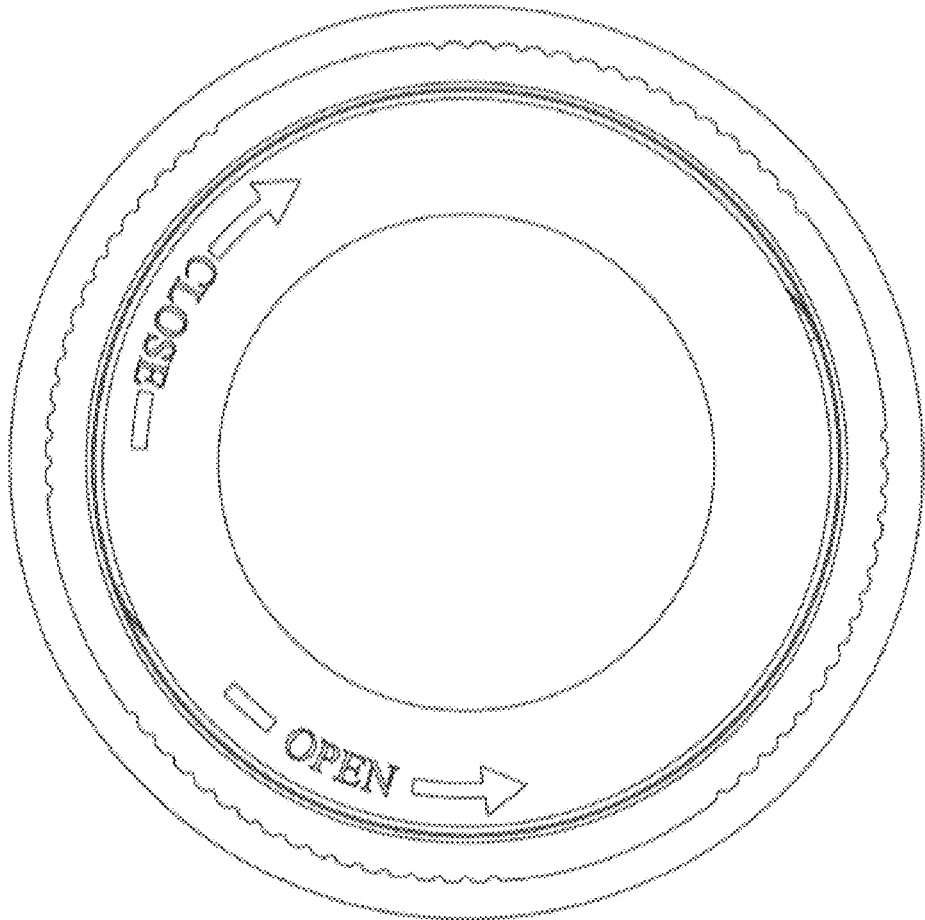


FIG. 5