

(19) World Intellectual Property Organization  
International Bureau



(43) International Publication Date  
9 April 2009 (09.04.2009)

PCT

(10) International Publication Number  
**WO 2009/045891 A3**

(51) International Patent Classification:  
A61B 10/02 (2006.01) A61B 19/00 (2006.01)

anapolis, IN 46220 (US). **MARK, Joseph, L.** [US/US];  
5154 N. Capitol Avenue, Indianapolis, IN 46208 (US).

(21) International Application Number:  
PCT/US2008/077841

(74) Agent: **MURPHY, Kristin, L.**; Rader, Fishman &  
Grauer PLLC, 39533 Woodward Avenue, Suite 140,  
Bloomfield Hills, MI 48304 (US).

(22) International Filing Date:  
26 September 2008 (26.09.2008)

(81) Designated States (unless otherwise indicated, for every  
kind of national protection available): AE, AG, AL, AM,  
AO, AT, AU, AZ, BA, BB, BG, BH, BR, BW, BY, BZ,  
CA, CH, CN, CO, CR, CU, CZ, DE, DK, DM, DO, DZ,  
EC, EE, EG, ES, FI, GB, GD, GE, GH, GM, GT, HN,  
HR, HU, ID, IL, IN, IS, JP, KE, KG, KM, KN, KP, KR,  
KZ, LA, LC, LK, LR, LS, LT, LU, LY, MA, MD, ME,  
MG, MK, MN, MW, MX, MY, MZ, NA, NG, NI, NO,  
NZ, OM, PG, PH, PL, PT, RO, RS, RU, SC, SD, SE, SG,  
SK, SL, SM, ST, SV, SY, TJ, TM, TN, TR, TT, TZ, UA,  
UG, US, UZ, VC, VN, ZA, ZM, ZW.

(25) Filing Language: English

(26) Publication Language: English

(30) Priority Data:  
11/865,092 1 October 2007 (01.10.2007) US  
11/875,560 19 October 2007 (19.10.2007) US  
12/020,294 25 January 2008 (25.01.2008) US  
12/031,423 14 February 2008 (14.02.2008) US

(71) Applicant (for all designated States except US): **SUROS  
SURGICAL SYSTEMS, INC.** [US/US]; Northwest  
Technology Center, 6100 Technology Center Drive, Indi-  
anapolis, IN 46278 (US).

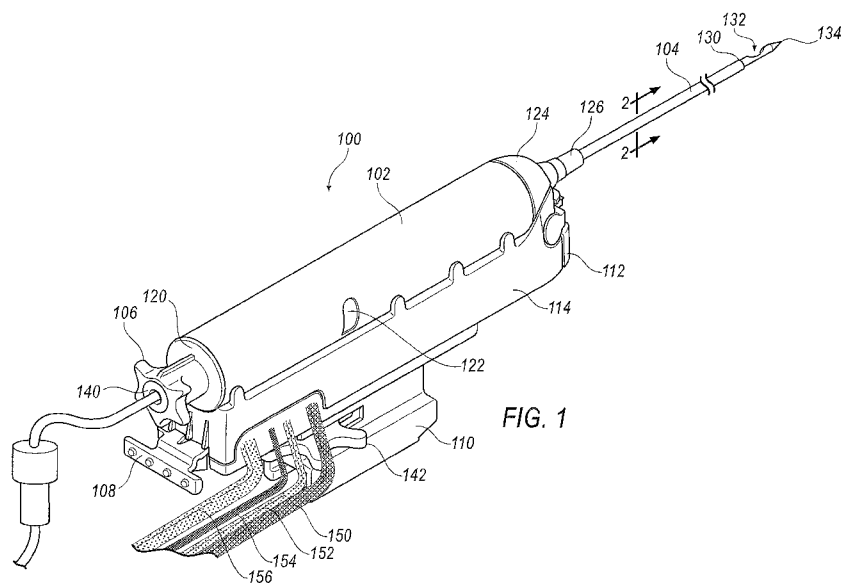
(84) Designated States (unless otherwise indicated, for every  
kind of regional protection available): ARIPO (BW, GH,  
GM, KE, LS, MW, MZ, NA, SD, SL, SZ, TZ, UG, ZM,  
ZW), Eurasian (AM, AZ, BY, KG, KZ, MD, RU, TJ,  
TM), European (AT, BE, BG, CH, CY, CZ, DE, DK, EE,  
ES, FI, FR, GB, GR, HR, HU, IE, IS, IT, LT, LU, LV,  
MC, MT, NL, NO, PL, PT, RO, SE, SI, SK, TR), OAPI  
(BF, BJ, CF, CG, CI, CM, GA, GN, GQ, GW, ML, MR,  
NE, SN, TD, TG).

(72) Inventors; and

(75) Inventors/Applicants (for US only): **MILLER, Michael,  
E.** [US/US]; 4560 West Woodpecker, Trafalgar, IN  
46181 (US). **FLAGLE, Jake** [US/US]; 6804 W. Stine-  
meyer Road, New Palistine, IN 46163 (US). **NICOSON,  
Zachary, R.** [US/US]; 6149 Primrose Avenue, Indi-

[Continued on next page]

(54) Title: SURGICAL DEVICE



(57) Abstract: A surgical device is disclosed. The surgical device comprises a housing, a cutting element, a spool, a piston, and a spring. The cutting element extends from the housing at the distal end of the housing. The cutting element comprises an outer cannula and an inner cannula. The spool is engaged with the outer cannula. The piston is engaged with the inner cannula. A spring is positioned between the spool and the piston. The spool is translated distally to translate the outer cannula towards the distal end. And the piston translates the inner cannula towards the distal end to sever tissue.

WO 2009/045891 A3

**Published:**

— *with international search report (Art. 21(3))*

**(88) Date of publication of the international search report:**

14 January 2010

# INTERNATIONAL SEARCH REPORT

International application No  
PCT/US2008/077841

<b>A. CLASSIFICATION OF SUBJECT MATTER</b> INV. A61B10/02 ADD. A61B19/00		
According to International Patent Classification (IPC) or to both national classification and IPC		
<b>B. FIELDS SEARCHED</b>		
Minimum documentation searched (classification system followed by classification symbols) A61B		
Documentation searched other than minimum documentation to the extent that such documents are included in the fields searched		
Electronic data base consulted during the international search (name of data base and, where practical, search terms used) EPO-Internal, WPI Data		
<b>C. DOCUMENTS CONSIDERED TO BE RELEVANT</b>		
Category*	Citation of document, with indication, where appropriate, of the relevant passages	Relevant to claim No.
X	WO 00/30545 A (ETHICON ENDO SURGERY EUROP GMB [DE]; BILOTTI FEDERICO [DE]; REU GENE []) 2 June 2000 (2000-06-02) page 7, paragraph 3; figure 1	1, 10, 14, 36-47
X	EP 1 604 615 A (ETHICON ENDO SURGERY INC [US]) 14 December 2005 (2005-12-14) paragraphs [0071], [0076], [0082] - [0084], [0097] - [0099]; figures 1-4	1, 5-20, 36-58
X	US 6 077 231 A (MILLIMAN KEITH L [US] ET AL) 20 June 2000 (2000-06-20) column 13, line 17 - line 50 column 7, line 35 - line 62; figure 2 ----- -/--	1-5, 14, 36-47
<input checked="" type="checkbox"/> Further documents are listed in the continuation of Box C.		
<input checked="" type="checkbox"/> See patent family annex.		
* Special categories of cited documents :		
*A* document defining the general state of the art which is not considered to be of particular relevance *E* earlier document but published on or after the international filing date *L* document which may throw doubts on priority claim(s) or which is cited to establish the publication date of another citation or other special reason (as specified) *O* document referring to an oral disclosure, use, exhibition or other means *P* document published prior to the international filing date but later than the priority date claimed	*T* later document published after the international filing date or priority date and not in conflict with the application but cited to understand the principle or theory underlying the invention *X* document of particular relevance; the claimed invention cannot be considered novel or cannot be considered to involve an inventive step when the document is taken alone *Y* document of particular relevance; the claimed invention cannot be considered to involve an inventive step when the document is combined with one or more other such documents, such combination being obvious to a person skilled in the art. *&* document member of the same patent family	
Date of the actual completion of the international search  <p style="text-align: center;">25 September 2009</p>	Date of mailing of the international search report  <p style="text-align: center;">05/10/2009</p>	
Name and mailing address of the ISA/ European Patent Office, P.B. 5818 Patentlaan 2 NL - 2280 HV Rijswijk Tel. (+31-70) 340-2040, Fax: (+31-70) 340-3016	Authorized officer  <p style="text-align: center;">Mayer-Martenson, E</p>	

## INTERNATIONAL SEARCH REPORT

International application No

PCT/US2008/077841

C(Continuation). DOCUMENTS CONSIDERED TO BE RELEVANT

Category*	Citation of document, with indication, where appropriate, of the relevant passages	Relevant to claim No.
X	US 5 794 626 A (KIETURAKIS MACIEJ J [US]) 18 August 1998 (1998-08-18) column 7, line 13 - column 8, line 18; figures 1,10	1,5,6, 10-14,18
X	US 5 769 086 A (RITCHART MARK A [US] ET AL) 23 June 1998 (1998-06-23)  column 5, line 1 - column 6, line 17; figure 17	1-5,10, 11,14, 36-41
X	US 2003/216667 A1 (VIOLA FRANK [US]) 20 November 2003 (2003-11-20) paragraphs [0078], [0085]; figures 21-23	1-5,10, 14,36-47
X	US 2004/230133 A1 (MILLER MICHAEL E [US] ET AL) 18 November 2004 (2004-11-18)  paragraphs [0028] - [0030], [0034], [0035]; figures 5-7	1-8, 10-14, 36-47
X	US 5 560 373 A (DE SANTIS STEPHEN A [US]) 1 October 1996 (1996-10-01) column 7, line 11 - line 40; figures 11-13a	21,33
A	WO 01/49184 A (SENORX INC [US]) 12 July 2001 (2001-07-12) page 7, line 18 - line 24; figure 1	14-16
A	US 2005/027210 A1 (MILLER MICHAEL E [US]) 3 February 2005 (2005-02-03) paragraphs [0019] - [0021], [0034]; figure 2	21
A	US 2003/195436 A1 (VAN BLADEL KEVIN H [US] ET AL) 16 October 2003 (2003-10-16) paragraphs [0059], [0060]; figures 24,25	21

# INTERNATIONAL SEARCH REPORT

International application No.  
PCT/US2008/077841

## Box No. II Observations where certain claims were found unsearchable (Continuation of item 2 of first sheet)

This international search report has not been established in respect of certain claims under Article 17(2)(a) for the following reasons:

1.  Claims Nos.: 59-64  
because they relate to subject matter not required to be searched by this Authority, namely:  
Rule 39.1(iv) PCT - Method for treatment of the human or animal body by surgery
2.  Claims Nos.:  
because they relate to parts of the international application that do not comply with the prescribed requirements to such an extent that no meaningful international search can be carried out, specifically:
3.  Claims Nos.:  
because they are dependent claims and are not drafted in accordance with the second and third sentences of Rule 6.4(a).

## Box No. III Observations where unity of invention is lacking (Continuation of item 3 of first sheet)

This International Searching Authority found multiple inventions in this international application, as follows:

see additional sheet

1.  As all required additional search fees were timely paid by the applicant, this international search report covers all searchable claims.
2.  As all searchable claims could be searched without effort justifying an additional fees, this Authority did not invite payment of additional fees.
3.  As only some of the required additional search fees were timely paid by the applicant, this international search report covers only those claims for which fees were paid, specifically claims Nos.:
4.  No required additional search fees were timely paid by the applicant. Consequently, this international search report is restricted to the invention first mentioned in the claims; it is covered by claims Nos.:

### Remark on Protest

- The additional search fees were accompanied by the applicant's protest and, where applicable, the payment of a protest fee.
- The additional search fees were accompanied by the applicant's protest but the applicable protest fee was not paid within the time limit specified in the invitation.
- No protest accompanied the payment of additional search fees.

**FURTHER INFORMATION CONTINUED FROM PCT/ISA/ 210**

This International Searching Authority found multiple (groups of) inventions in this international application, as follows:

1. claims: 1-20

surgical system with surgical device and adapter  
---

2. claims: 21-35

surgical device with spool and piston  
---

3. claims: 36-58

adapter with connector element  
---

# INTERNATIONAL SEARCH REPORT

Information on patent family members

International application No

PCT/US2008/077841

Patent document cited in search report	Publication date	Patent family member(s)	Publication date
WO 0030545	A	02-06-2000	DE 19855293 C1 04-05-2000
			EP 1133259 A1 19-09-2001
			ES 2228114 T3 01-04-2005
EP 1604615	A	14-12-2005	AU 2005244978 A1 01-12-2005
			CA 2569101 A1 01-12-2005
			EP 1761174 A1 14-03-2007
			EP 2005908 A1 24-12-2008
			ES 2313236 T3 01-03-2009
			JP 2005334643 A 08-12-2005
			JP 2005334644 A 08-12-2005
			JP 2005334645 A 08-12-2005
			JP 2008500139 T 10-01-2008
			WO 2005112778 A1 01-12-2005
US 6077231	A	20-06-2000	AU 3392297 A 07-01-1998
			CA 2258193 A1 18-12-1997
			EP 0910285 A1 28-04-1999
			WO 9747243 A1 18-12-1997
US 5794626	A	18-08-1998	NONE
US 5769086	A	23-06-1998	CA 2239614 A1 12-06-1997
			DE 69633640 D1 18-11-2004
			DE 69633640 T2 03-11-2005
			DE 69637419 T2 27-11-2008
			EP 0939604 A1 08-09-1999
			ES 2300701 T3 16-06-2008
			JP 2001515372 T 18-09-2001
			WO 9720504 A1 12-06-1997
US 2003216667	A1	20-11-2003	AU 8528101 A 26-03-2002
			AU 2001285281 B2 02-03-2006
			CA 2421964 A1 21-03-2002
			DE 60133297 T2 05-03-2009
			EP 1317211 A1 11-06-2003
			ES 2300353 T3 16-06-2008
			JP 2004508127 T 18-03-2004
			WO 0222023 A1 21-03-2002
			US 6712773 B1 30-03-2004
US 2004230133	A1	18-11-2004	EP 1605830 A1 21-12-2005
			JP 2006520653 T 14-09-2006
			WO 2004084738 A1 07-10-2004
US 5560373	A	01-10-1996	NONE
WO 0149184	A	12-07-2001	AU 2771601 A 16-07-2001
			CA 2395225 A1 12-07-2001
			EP 1255499 A2 13-11-2002
			JP 2003518974 T 17-06-2003
US 2005027210	A1	03-02-2005	EP 1651115 A1 03-05-2006
			JP 2007500557 T 18-01-2007
			US 2009048533 A1 19-02-2009
			WO 2005011505 A1 10-02-2005
US 2003195436	A1	16-10-2003	AU 1156802 A 29-04-2002

# INTERNATIONAL SEARCH REPORT

Information on patent family members

International application No

PCT/US2008/077841

Patent document cited in search report	Publication date	Patent family member(s)	Publication date
US 2003195436	A1	AU 2002211568 B2	17-11-2005
		BR 0114716 A	20-01-2004
		CA 2425793 A1	25-04-2002
		EP 1333759 A1	13-08-2003
		JP 4108473 B2	25-06-2008
		JP 2004511292 T	15-04-2004
		WO 0232318 A1	25-04-2002
		US 2008103411 A1	01-05-2008