



- (51) International Patent Classification:  
*B05C 11/10* (2006.01)
- (21) International Application Number:  
PCT/US2017/025309
- (22) International Filing Date:  
31 March 2017 (31.03.2017)
- (25) Filing Language: English
- (26) Publication Language: English
- (30) Priority Data:  
62/318,114 4 April 2016 (04.04.2016) US
- (71) Applicant: **NORDSON CORPORATION** [US/US];  
28601 Clemens Road, Westlake, OH 44145 (US).
- (72) Inventors: **FORT, Wesley, C.**; 2635 New Rutgers Walk,  
Cumming, GA 30041 (US). **RAMSPECK, Ronald**; 890  
Waddington Ct., Atlanta, GA 30350 (US). **RAMOSE-  
VAC, Enes**; 3778 Leach Road, Snellville, GA 30039 (US).
- (74) Agent: **AKHAVANNIK, Hussein**; Baker & Hostetler  
LLP, 1050 Connecticut Avenue, NW, Suite 1100, Wash-  
ington, DC 20036 (US).
- (81) Designated States (unless otherwise indicated, for every  
kind of national protection available): AE, AG, AL, AM,  
AO, AT, AU, AZ, BA, BB, BG, BH, BN, BR, BW, BY,  
BZ, CA, CH, CL, CN, CO, CR, CU, CZ, DE, DJ, DK, DM,  
DO, DZ, EC, EE, EG, ES, FI, GB, GD, GE, GH, GM, GT,

HN, HR, HU, ID, IL, IN, IR, IS, JP, KE, KG, KH, KN,  
KP, KR, KW, KZ, LA, LC, LK, LR, LS, LU, LY, MA,  
MD, ME, MG, MK, MN, MW, MX, MY, MZ, NA, NG,  
NI, NO, NZ, OM, PA, PE, PG, PH, PL, PT, QA, RO, RS,  
RU, RW, SA, SC, SD, SE, SG, SK, SL, SM, ST, SV, SY,  
TH, TJ, TM, TN, TR, TT, TZ, UA, UG, US, UZ, VC, VN,  
ZA, ZM, ZW.

(84) Designated States (unless otherwise indicated, for every  
kind of regional protection available): ARIPO (BW, GH,  
GM, KE, LR, LS, MW, MZ, NA, RW, SD, SL, ST, SZ,  
TZ, UG, ZM, ZW), Eurasian (AM, AZ, BY, KG, KZ, RU,  
TJ, TM), European (AL, AT, BE, BG, CH, CY, CZ, DE,  
DK, EE, ES, FI, FR, GB, GR, HR, HU, IE, IS, IT, LT, LU,  
LV, MC, MK, MT, NL, NO, PL, PT, RO, RS, SE, SI, SK,  
SM, TR), OAPI (BF, BJ, CF, CG, CI, CM, GA, GN, GQ,  
GW, KM, ML, MR, NE, SN, TD, TG).

**Declarations under Rule 4.17:**

- as to applicant's entitlement to apply for and be granted a patent (Rule 4.17(ii))
- as to the applicant's entitlement to claim the priority of the earlier application (Rule 4.17(iii))

**Published:**

- without international search report and to be republished upon receipt of that report (Rule 48.2(g))

(54) Title: SYSTEM AND METHOD FOR MONITORING LIQUID ADHESIVE FLOW

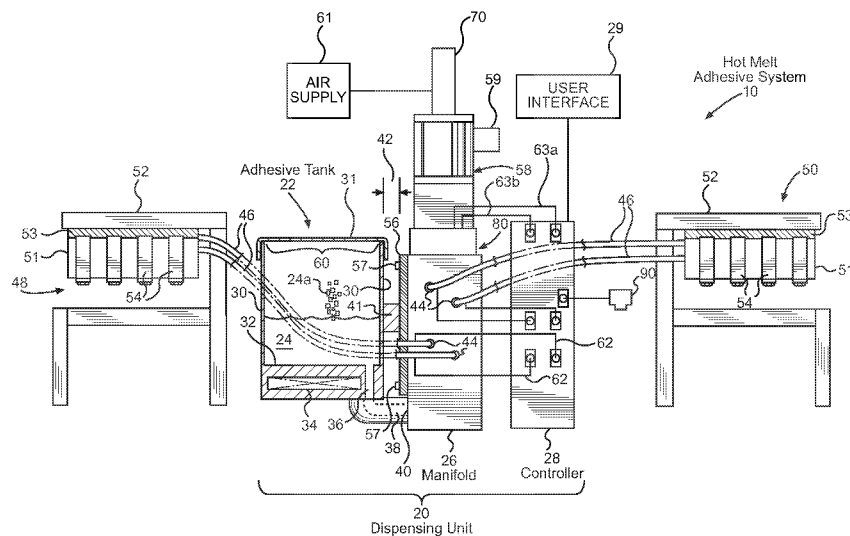


FIG. 1

(57) Abstract: A hot melt adhesive system includes an adhesive supply for receiving solid or semi-solid hot melt adhesive, and a heater associated with the adhesive supply for melting the solid or semi-solid hot melt adhesive into liquid hot melt adhesive. An adhesive tracking system monitors an output of the liquid hot melt adhesive, and includes a flow meter having a flow inlet and a flow outlet. The flow meter measures an amount of the adhesive flowing out of the flow outlet. A product detector may be used to sense a presence of a product to which the adhesive is applied. A controller then determines the total amount of the liquid adhesive dispensed and the average amount of liquid adhesive dispensed per product.

WO 2017/176573 A2

## SYSTEM AND METHOD FOR MONITORING LIQUID ADHESIVE FLOW

### CROSS-REFERENCE TO RELATED APPLICATION

[0001] This application claims the benefit of U.S. Provisional Patent App. No. 62/318,114, filed April 4, 2016, the disclosure of which is hereby incorporated in its entirety.

### TECHNICAL FIELD

[0002] The present disclosure relates generally to hot melt adhesive systems, and more particularly to an adhesive tracking system configured to monitor the amount of hot melt adhesive or other flowable liquid material dispensed from a hot melt adhesive system.

### BACKGROUND

[0003] Dispensing systems that dispense thermoplastic hot melt adhesive or other flowable material are widely used in the manufacturing and packaging industries. For example, hot melt adhesive may be used for carton sealing, case sealing, tray forming, pallet stabilization, and non-woven applications, among others. Typically, hot melt adhesive is contained in or provided from an adhesive supply, such as a tank or hopper of an adhesive melter. The hot melt adhesive is accordingly heated, melted, and pumped to a dispenser, such as a dispensing applicator or other applicator which applies the hot melt adhesive to a product or substrate.

[0004] Manifolds are typically used to direct liquid hot melt adhesive into plural flow streams for output through hoses to the dispensers. Different types of pumps, such as piston pumps, drive liquid hot melt adhesive through the hot melt adhesive system, including the manifolds. Metering systems can monitor the flow of hot melt adhesive in hot melt adhesive dispensing systems. Conventional metering systems are typically in fluid communication with each respective discharge outlet of the dispensing system so that the flow of liquid material through each outlet can be independently monitored. This arrangement is suited for low-flow dispense rates and ensures that any restriction of flow through one liquid discharge outlet does not affect the flow of liquid from the remaining liquid discharge outlets.

[0005] However, the cost of installing an individual flow meter on each liquid discharge outlet is not economically practical, especially for dispensing systems which may include four to six applicators. Moreover, multiple flow meters require greater maintenance costs due to their

many component parts. Additionally, conventional metering systems are not retrofittable on existing dispensing systems.

[0006] Thus, there exists a need for a metering system for use with a hot melt adhesive dispensing unit that addresses these shortcomings by, for example, providing a single flow meter in direct fluid communication with the manifold of a hot melt adhesive system for monitoring the amount of adhesive dispensed on every product.

### SUMMARY

[0007] In one implementation, an adhesive tracking system for monitoring an output of hot melt adhesive is disclosed. The adhesive tracking system includes a flow meter having a flow inlet and a flow outlet, where the flow meter is configured to measure an amount of the adhesive flowing out of the flow outlet. The adhesive tracking system further includes a manifold configured to output adhesive, where the manifold is in fluid communication with the flow meter. The adhesive tracking system also includes at least one product detector configured to sense a presence of a product to which the adhesive is applied, and a controller in communication with the flow meter and the at least one product detector. The controller has a processor configured to determine a start time and an end time for application of the adhesive to the product, receive the amount of the adhesive flowing out of the flow outlet of the flow meter from the start time to the end time, and associate the amount of the adhesive with the product.

[0008] In another implementation, a method for monitoring hot melt adhesive flow is disclosed. The method includes detecting a presence of a product to which the adhesive is applied by using at least one product detector, determining a start time and an end time for applying the adhesive to the product, determining an amount of the adhesive applied to the product from the start time to the end time by measuring an amount of the adhesive dispensed from a manifold using a flow meter in fluid communication with the manifold, and associating the amount of the adhesive with the product.

[0009] In another implementation, a flow meter is disclosed for use in a hot melt adhesive system including an adhesive supply, a manifold, a heater, and at least one hose connected to a dispensing applicator. The flow meter includes a housing body having a hollow central recess, a flow inlet passage configured to receive hot melt adhesive from the manifold, and a flow outlet passage configured to discharge hot melt adhesive back into the manifold. The

flow meter also includes a housing cover removably attached to the housing body and having a flat inner surface proximal to the hollow central recess of the housing body. The flow meter further includes a pair of rotatable gears provided in the hollow central recess and rotatably secured between the housing body and the housing cover, and at least one sensor configured to measure an amount of hot melt adhesive flowing through the flow meter.

[0010] In another implementation, a hot melt adhesive system includes an adhesive supply holding solid or semi-solid hot melt adhesive, a heater associated with the adhesive supply for melting the solid or semi-solid hot melt adhesive into a liquid hot melt adhesive, a first manifold in fluid communication with the adhesive supply, a pump for pumping the liquid hot melt adhesive from the heater into the first manifold, an air pressure regulator for regulating the flow of air into the pump from an air supply, at least one adhesive applicator configured to apply the liquid hot melt adhesive to a substrate, and an adhesive tracking system for monitoring an output of the liquid hot melt adhesive.

#### BRIEF DESCRIPTION OF THE DRAWINGS

[0011] FIG. 1 is a schematic drawing of a hot melt adhesive system.

[0012] FIG. 2A is a rear perspective view of a dispensing unit of the hot melt adhesive system of FIG. 1 and an adhesive tracking system.

[0013] FIG. 2B is a rear perspective view of the dispensing unit of the hot melt adhesive system of FIG. 1 and a flow meter of the adhesive tracking system.

[0014] FIG. 3 is a schematic diagram of the adhesive tracking system.

[0015] FIG. 4 is top perspective view of the flow meter.

[0016] FIG. 5 is a top exploded perspective view of the flow meter.

[0017] FIG. 6 is a perspective view of a bottom portion of the flow meter.

[0018] FIG. 7 is a bottom partially exploded perspective view of the flow meter.

[0019] FIG. 8 is a top plan view of a bottom side of a housing cover of the flow meter.

[0020] FIG. 9 is a cross-sectional view of the housing cover taken along line 9-9 of FIG.

8.

[0021] FIG. 10A is a rear perspective view of an implementation of an adhesive tracking system having an auxiliary manifold mounted directly to a dispensing unit.

[0022] FIG. 10B is a rear perspective view of an implementation of an adhesive tracking system having an auxiliary manifold mounted remotely to a dispensing unit.

[0023] FIG. 11A is a perspective view of an auxiliary manifold.

[0024] FIG. 11B is a perspective view of a flow meter connected to the auxiliary manifold of FIG. 11A.

[0025] FIG. 12A is a front view of an air pressure regulator according to the present disclosure.

[0026] FIG. 12B is a side view the air pressure regulator of FIG. 12A.

### DETAILED DESCRIPTION

[0027] As shown in FIG. 1, a hot melt adhesive system 10 comprises a dispensing unit 20 that includes an adhesive supply 22 for receiving and melting solid or semi-solid hot melt adhesive 24a, such as pellets, a manifold 26 connected to the adhesive supply 22, a controller 28, and a user interface 29. The adhesive supply 22 may be a tank-style melter, or a grid and reservoir melter, among others. Upon melting, the solid or semi-solid hot melt adhesive 24a stored in the adhesive supply 22 transforms into a liquid hot melt adhesive 24. The adhesive supply 22 comprises side walls 30, a removable cover 31, and base 32 which includes one or more adhesive supply heaters 34 for melting and heating the hot melt adhesive 24a and the liquid hot melt adhesive 24 in the adhesive supply 22. An adhesive supply outlet 36 proximate the base 32 is coupled to a passage 38 which connects to an inlet 40 of the manifold 26.

[0028] The manifold 26 may be integrated directly into the dispensing unit 20 of the hot melt adhesive system 10, such that the manifold 26 is mounted to a side wall 30 of the adhesive supply 22. A dispensing unit 20 having such an integral manifold 26 is illustrated in FIGS. 2A and 2B. In other implementations, an auxiliary manifold may be retrofitted to other hot melt adhesive systems by directly or indirectly mounting to the dispensing unit 20, as will be discussed in further detail below.

[0029] Referring again to FIG. 1, a positive-displacement pump 58, such as a vertically-oriented piston pump (as shown) or a gear pump, is coupled to the manifold 26 for pumping liquid hot melt adhesive 24 from the adhesive supply 22 into the manifold 26, where it is split into separate flows. A pump motor 59 drives the pump 58. The manifold 26 is mounted to a side wall 30 of the adhesive supply 22 with a spacer 41 and is spaced from the adhesive supply

22 a distance 42 sufficient to provide thermal isolation of the adhesive supply 22 from the manifold 26. The manifold 26 includes a plurality of outlet ports 44 which may be fitted with heated hoses 46 attached to one or more adhesive applicators 48, 50 to supply the liquid adhesive 24 to the applicators 48, 50. While FIG. 1 shows the adhesive supply 22 in close physical proximity to the manifold 26, other arrangements are also possible where the source of hot melt adhesive is physically distant from the manifold. In such arrangements, more than one pump may be used to move hot melt adhesive from the adhesive supply 22 toward the ultimate point of application.

[0030] As schematically shown in FIG. 3, the manifold 26 may create a plurality of flow streams that are carried by the corresponding heated hoses 46 to the applicators 48, 50. The applicators 48, 50 include one or more adhesive dispensing modules 54 configured to dispense/apply the liquid hot melt adhesive 24 to a product, such as a carton, package, or other object. The adhesive dispensing modules 54 are mounted to applicator bodies 51 having applicator heaters 53 and are supported on a frame 52. The hot melt adhesive system 10 includes two applicators 48, 50, with one applicator located on each side of the dispensing unit 20 as shown in FIG. 1, although other implementations of the adhesive system 10 may use a different number of applicators, dispensing modules, and other configurations.

[0031] Also shown in FIG. 1, the manifold 26 is located adjacent the adhesive supply 22, between the adhesive supply 22 and the controller 28. It will be appreciated that other configurations in which the manifold 26 is centrally located on unit 20 may be utilized as well. The outlet ports 44 on the manifold 26 are arranged substantially in the center of the dispensing unit 20 so that the distances from a given outlet port 44 to either the tank-side or the controller-side of the unit 20 are substantially the same. This centralized arrangement of outlet ports 44 permits the same length of hose 46 to be utilized to supply liquid adhesive 24 to dispensing applicators 48, 50 located on either side of the dispensing unit 20. The manifold 26 may include a manifold heater 56 which is separate from the adhesive supply heater 34 and which can be independently controlled by the controller 28. It will be appreciated that a single heater can be used for heating the adhesive supply 22 and the manifold 26.

[0032] Dispensing unit 20 includes a controller 28 which houses the power supply and electronic controls for the dispensing unit 20. The hoses 46 are electrically coupled to the controller 28 by cord sets 62 associated with each hose 46. The controller 28 independently

monitors and adjusts the adhesive supply heater 34, the manifold heater 56, the hoses 46, and the applicator heaters 53 to melt solid or semi-solid adhesive 24a received in the adhesive supply 22 and to maintain the temperature of liquid adhesive 24 to ensure proper viscosity of the adhesive 24 supplied to the applicators 48, 50 and dispensed by the adhesive dispensing modules 54.

[0033] With respect to the heating features of the hot melt adhesive system 10, the controller 28 is electrically coupled to the heaters, including the adhesive supply heater 34, the manifold heater 56, and the applicator heaters 53, as well as any hose heaters. The controller 28 may also be coupled with various temperature sensors in the hot melt adhesive system 10, which may be associated with or included in the adhesive supply heater 34, the manifold heater 56, the applicator heaters 53, and any hose heaters. The controller 28 independently monitors and adjusts the adhesive supply heater 34, the manifold heater 56, the applicator heaters 53, and any hose heaters, to melt solid or semi-solid hot melt adhesive 24a received in the adhesive supply 22 and to maintain the temperature of (melted) liquid hot melt adhesive 24 to ensure proper viscosity of the liquid hot melt adhesive 24 supplied to the applicators 48, 50 and dispensed by the adhesive dispensing modules 54. For instance, the controller 28 receives temperature information from temperature sensors and sends heater control instructions to each heater to adjust the temperature. Such heater control instructions may increase or decrease the temperature of any or all of the heaters in the hot melt adhesive system 10.

[0034] The pump 58 is located external to the adhesive supply 22 and is connected to an air pressure regulator 70 that receives air from an air supply 61. More particularly, the air pressure regulator 70 is mounted to the dispensing unit 20 and connects to the air supply 61. In some implementations, the pump 58 may be attached to the manifold 26 and heated by the manifold heater 56. This arrangement permits a larger tank opening 60, increases the tank capacity, and reduces the time required to heat the pump 58. Further, a flow meter 80 may be attached to the manifold 26. The flow meter 80 comprises a pair of sensors that are electrically coupled to the controller 28 by respective cords 63a, 63b associated with each sensor. At least one product detector 90, such as a photo-sensor, is also electrically coupled to the controller 28.

[0035] The manifold 26, the flow meter 80, the product detector 90, the controller 28, and the user interface 29 are components an adhesive tracking system 37 for monitoring adhesive applied to a product or substrate, including the total amount of adhesive dispensed and the average amount of adhesive dispensed per product, in order to provide useful system data and

alarms to a user during operation. Referring again to FIG. 3, additional features relating to the adhesive tracking system 37 and its control are disclosed. The pump 58 advances liquid hot melt adhesive 24 from the adhesive supply 22 to the manifold 26, where it is split into a plurality of flow streams. The manifold 26 includes a flow meter 80 for measuring the flow rate of the liquid hot melt adhesive 24 therethrough. In other implementations, the flow meter 80 may be fitted to an end of the hose 46. The flow meter 80 collects flow rate information using at least one flow rate sensor 88 in electrical communication with the controller 28 and user interface 29 in order to provide feedback to the user. In some implementations, a pair of flow rate sensors 88a, 88b are provided which supply a quadrature output. The reason for this is that during the piston pump stroke, the material actually flows backwards, and thus the quadrature output allows this backwards flow to be subtracted from the forward flow in order to maintain a high level of accuracy. A single sensor would be sufficient in implementations using a gear pump in which there is no backwards flow.

[0036] The user interface 29 is associated with the controller 28 and provides a user with information about the heating functions of the hot melt adhesive system 10. For example, the user interface 29 presents information relating to adhesive temperature, heater temperature, and the like. The user interface 29 also includes controls for adjusting heating-related parameters of the hot melt adhesive system 10. Additionally, the user interface 29 and controller 28 also provides a user with information about the adhesive tracking system 37, as discussed in greater detail below.

[0037] Turning again to FIGS. 2A and 2B, the dispensing unit 20 of the hot melt adhesive system is illustrated, and includes the manifold 26, the controller 28, and the user interface 29. In FIG. 2A, the manifold 26 is shown having an insulated jacket 26a that protects a user from getting burned when the manifold is heated. In FIG. 2B, the manifold 26 is shown without the cover 26a, revealing the flow meter 80 in fluid communication with the manifold 26.

[0038] The adhesive tracking system 37 uses the flow meter 80 to directly measure adhesive output. In some implementations, the flow meter 80 can be removably connected to the manifold 26. With reference to FIGS. 4-7, for instance, the flow meter 80 comprises a housing body 82 having a flow inlet passage 84 configured to receive hot melt adhesive from the manifold 26, and a flow outlet passage 85 configured to discharge hot melt adhesive back into the manifold 26. The housing body 82 of the flow meter 80 can be removably connected to the

manifold 26 via fasteners 87a, such as screws or bolts. The flow meter 80 further includes a housing cover 83 that is removably connected to the housing body 82 by a plurality of fasteners 87b, such as screws or bolts. In another implementation, the flow meter 80 can be integrated with the manifold 26. For instance, housing body 82 may be integrated with the manifold 26 such that the housing cover 83 can removably connect thereto via fasteners 87b. In another implementation, individual components of the flow meter 80, such as gears 86, pins 81, and bushings 81a, which will be described in detail below, may be incorporated into the housing cover 83 so that the housing cover 83 can removably connect directly to the manifold 26 via fasteners 87b, such that the housing body 82 is not used. In yet another implementation, the individual components of the flow meter 80, such as gears 86, pins 81, and bushings 81a, may be integrated directly into the manifold 26 so that the housing cover 83 can removably connect directly thereto.

[0039] The flow meter 80 further comprises a pair of rotatable gears 86 and at least one sensor 88, such as a magnetic pick-up sensor, configured to measure an amount of the liquid adhesive flowing through the flow meter. A pair of sensors 88a, 88b are shown in the implementation of the flow meter 80 depicted in the figures. In particular, the pair of sensors 88a, 88b are configured to measure rotation of the rotatable drive gears 86 to determine an amount of the adhesive flowing out of the flow outlet 85. The flow outlet 85 is in fluid communication with the manifold 26 so that the liquid adhesive is sent back into the manifold 26 and then distributed to the various hoses 46 which are directly connected to the manifold 26. In some implementations, the flow outlet 85 can be connected directly to the hoses that are connected to the adhesive applicators.

[0040] The housing body 82 also comprises an elastomeric seal 89, such as an elongated or oval shaped O-ring, to maintain a watertight seal with the cover to prevent fluid leakage from the flow meter. Further, the plurality of fasteners 87a, 87b are also adapted to removably secure the flow meter 80 to the manifold 26. In other implementations, the flow meter 80 may be connected in fluid communication to the pump 58 or to any of the hoses 46.

[0041] The gears 86 are contained within a hollow central recess 82a of the housing body 82 so that they are free to rotate about an axis of rotation. In particular, the gears are rotatably secured between the housing body 82 and the housing cover 83. In one implementation, the gears 86 are a substantially linear series of intermeshing, flow-metering spur gears that are each

configured to rotate about respective pins 81 provided in corresponding bushings 81a in the housing body 82. The spur gears 86 are positioned so that they are substantially coplanar, and so that each spur gear is parallel to and spaced from at least one neighboring spur gear. Further, the spur gears 86 are positioned so that an axis of rotation of each of the gears is positioned along a common central line. The spur gears 86 are also positioned so that the teeth of each spur gear intermesh with the teeth of the neighboring spur gear.

[0042] The flow inlet passage 84 provides a conduit between a liquid source in the manifold 26 and the inlet side of the intermeshing pair of gears 86. Similarly, flow outlet passage 85 provides a conduit between the discharge side of the intermeshing pair of gears 86 and the manifold 26. The gears 86 are in fluid communication with a flow inlet passage 84 that directs a pressurized stream of liquid into the recess 82a toward the inlet side of the intermeshing pair of gears. As a result, the pressurized liquid stream drives the gears 86 in tandem so that each of the gears rotate in an opposite direction relative to each other. For example, one of the gears rotates in a counterclockwise direction while its immediately neighboring gear rotates in a clockwise direction. Employing counter-rotating gears 86 creates a positive displacement for precise metering of liquid hot melt adhesive.

[0043] As a result of this rotation of the gears 86, after a stream of liquid is directed to the inlet side of the intermeshing portion of the gears via the flow inlet passage 84, the stream is divided in half by the two gears. This occurs because, as the gears rotate, liquid flows into the spaces between the teeth of each of the oppositely rotating intermeshing pair of gears. Thus, two liquid streams are respectively carried in opposite directions around the perimeter of the central recess 82a by the teeth of each oppositely rotating gear, such that the two liquid streams converge near the flow outlet passage 85. Accordingly, the volume of liquid flowing between the gears 86 and the perimeter wall of the central recess 82a represents the volume of liquid per pulse. As the respective gear teeth of each neighboring gear comes into mesh with each other, the liquid is displaced from the spaces between the gear teeth of each gear, which forces the liquid into and through the flow outlet passage 85 that is adjacent the intermeshing pair of gears. Thus, during this process, the pressurized liquid moving through the flow meter 80 exerts rotational forces on the gears 86, causing them to rotate at a particular rate. The sensors 88a, 88b are configured to measure this speed of rotation of the gears 86 in order to determine the flow

rate of liquid moving through the flow meter 80. The gear-tooth flow meter 80 is configured to provide a resolution of, for example, approximately 25 mg.

[0044] As shown in FIGS. 7-9, the gears 86 are bounded within the recess 82a by a flat inner surface of the housing cover 83. Each gear may further be bounded by a respective hardened support shaft 83a provided in the housing cover 83. A thin membrane 83b is provided underneath each sensor 88a, 88b on the flat inner surface of the housing cover 83, such that the thin membrane 83b is located between the sensors 88a, 88b and the gears 86.

[0045] In another implementation of a hot melt adhesive system, an accessory or auxiliary manifold 26' may be directly mounted to a dispensing unit 20', as shown in FIG. 10A, in order to retrofit existing hot melt adhesive systems with the adhesive tracking system 37. In another implementation, the accessory manifold 26' may be remotely mounted to the dispensing unit 20' via a transfer hose 43 as shown in FIG. 10B. It will be appreciated that the accessory manifold 26' may be retrofitted on hot melt adhesive systems that use either a piston style pump or a gear style pump. The flow meter 80 may be mounted to the accessory manifold 26' or integrated therein, so that hot melt adhesive that is received in the accessory manifold 26' can be directed through the flow meter 80. In some implementations, the accessory manifold 26' may include an internal heater. When the accessory manifold 26' is remotely mounted to the dispensing unit 20', the internal heater sources power from the transfer hose 43. When the accessory manifold 26' is directly mounted to the dispensing unit 20', the internal heater sources power from the dispensing unit 20' itself. As shown in FIG. 11A, the auxiliary manifold 26' includes an insulated jacket 27' that protects the flow meter 80 and also shields a user from being burned. As shown in FIG. 11B, the insulated jacket 27' is removed from the auxiliary manifold 26', thus illustrating an implementation of the auxiliary manifold 26' in which the flow meter 80 can be secured directly thereto.

[0046] The air pressure regulator 70 is shown in FIGS. 12A and 12B. The air pressure regulator 70 may be a diaphragm type pressure regulator, and includes a pressure gauge 72 to monitor the pressure level, as well as a rotatable pressure adjustment knob 74 configured to adjust the pressure level to a desired amount. The air pressure regulator 70 is associated with a high flow solenoid configured to turn the pump on and off, and having a flow coefficient of approximately 1.0 cv. Accordingly, when the pump strokes, the time required to re-pressurize is about 3 ms.

[0047] The adhesive tracking system 37 further uses the product detector 90 to determine product counts. The product detector may be mounted with a field of view that images products along the assembly line or detects breaks between products along the assembly line. For instance, the product detector 90 can be installed on the production line and mounted just ahead of the first dispensing location. The product detector 90 is configured to sense the presence of a product to which the adhesive is applied. As illustrated in FIG. 1, the product detector 90 is electrically connected to the controller 28. In other implementations, the product detector 90 may be electrically connected to the flow meter 80, to the manifold 26, or to a separate control unit (not shown) in other implementations. The controller includes a processor in electrical communication with both the flow meter 80 and the product detector 90 in order to monitor the adhesive flow output. In other implementations, the processor may be included, for example, in the manifold 26 or in a separate control unit. The measurement and reporting data collected by the adhesive tracking system can be used to improve process control of the hot melt adhesive system 10.

[0048] The processor determines a start time and an end time for application of the adhesive to the product based on the presence of the product received from the at least one product detector 90. The processor also receives the amount of the adhesive flowing out of the flow outlet 85 of the flow meter 80 at all times. The processor then associates the amount of adhesive that flows out of the flow meter 80 from the start time to the end time with the product. For instance, the product detector 90 senses products from leading edge to ending edge as they move along the production line, during which time the adhesive output from the flow meter 80 is accordingly accumulated. The processor may further calculate a weight of the adhesive dispensed from the flow outlet 85 of the flow meter 80 based on the received amount, and/or calculate a volume of the adhesive dispensed from the flow outlet 85 of the flow meter 80 based on the received amount.

[0049] During operation of the adhesive tracking system 37, adhesive may be measured over the product detector's 90 pitch to provide an average adhesive weight per product, even if there are multiple dispensing stations in different locations on the product line. Moreover, a fixed product skip count may be used to ignore products at start up to ensure that all applicators 48, 50 are applying adhesive before the adhesive tracking system 37 begins monitoring products. Such a skip count should be long enough so that all adhesive applicators 48, 50 start dispensing

the adhesive before verification starts. The skip count is programmable down to zero in order to disable skipping for production lines that do not have products between gluing stations.

[0050] The amount of adhesive applied to products can be averaged over two or more products. In one implementation, for example, the processor determines a start time and an end time for the application of the adhesive to four products. The processor receives the amount of the adhesive flowing out of the flow outlet 85 of the flow meter 80 from the start time to the end time. The processor then calculates an average amount of adhesive applied to the number of products detected by the product detector 90 from the start time to the end time, and associates an average amount of the adhesive with each of the products.

[0051] The processor is therefore able to determine a total amount of adhesive dispensed on the product, and also calculate a running average amount of adhesive dispensed, or added-on, per product. Additionally, the processor may trigger a notification alarm when the average amount of adhesive per product falls outside a user defined range, such as a predetermined alarm threshold parameter. Such an alarm can be generated for both high and low thresholds. The number of products that are allowed to pass with either too-high or too-low output is also user-adjustable. In particular, the processor can determine a number of consecutive products having an average amount of adhesive that is outside a predetermined threshold parameter, and trigger the alarm when the aforementioned consecutive number of products exceeds a predetermined alarm delay parameter. The notification alarm may be an audible signal or a visible signal for alerting the user. Further, the alarm threshold parameter can be determined based on the average amount of adhesive applied to the two or more products during a learning process. For example, the desired amount of adhesive applied to the product may be learned or manually input by a user.

[0052] The processor determines the total amount of adhesive dispensed for all learned products and calculates the average amount of adhesive add-on per product during the learning process. This average amount of adhesive applied is then used to determine the alarm thresholds. For instance, the alarm threshold may be user adjustable. The high alarm point is independent from the low alarm point. The notification alarm is enabled upon completion of the learning process.

[0053] Also during operation, a minimum number of products, such as the first forty products, may not be used to calculate the average amount of adhesive applied per product when

the production line is first started. Skipping products at start-up allows all the adhesive applicators 48, 50 to be active before calculating the average amount of adhesive add-on per product. The user may set the number of products skipped. For example, a setting of "0" disables skipping products for those systems that do not have more than one product between all adhesive applicators, such as for case sealing. Additionally, products may be skipped when a product signal has not been seen for an amount of time, such as ten seconds, which is adjustable by the user. It should be appreciated that the process of skipping products may have priority over the learning process. For example, the process of skipping products may be performed before starting the learning process even if the learning process is selected but the products need to be skipped.

[0054] The average amount of adhesive applied per product is determined based on the dispensing period defined by the start time and end time of the adhesive flow detected by the product detector 90. The start and end times of the adhesive detected by the product detector for a plurality of products define a corresponding series of dispensing periods. The processor calculates a running average amount of the adhesive added on to each product for each dispensing period.

[0055] For example, the number of products to average together for the average product add-on calculations can be based on how many products it takes to achieve a 2% resolution in adhesive add-on. As previously described, the number of products to average will be determined during the learning process and can be adjusted by the user after the learning process. A 2% resolution may be achieved when the total number of pulses from the flow meter is fifty or higher for N products, where N is the number of products to average for obtaining the average amount of adhesive added-on. In another example, if the learning process uses four products and the total number of flow meter pulses seen during the learning process is twenty-one, then the number of products to average together for the add-on average would be:  $\text{four products seen} \div (2\% * \text{twenty-one pulses seen}) = 9.5 \text{ products}$ , which is then rounded up to the next highest integer and results in 10 products to average together. Thus, the amount of adhesive is averaged over a number of products to calculate a target value.

[0056] The average amount of adhesive dispensed on the products may be represented by the applied weight per product or the average volume of adhesive dispensed per product over time. As previously explained above, if the running average of adhesive applied per product is

determined to be outside the alarm threshold and the number of consecutive out-of-tolerance products, i.e. those which fall outside the upper or lower thresholds, exceeds a value determined by the alarm delay parameter, such as the user-allowed number of out-of-tolerance products, then the processor triggers an alarm to notify the user. In some implementations, the alarm output signal can trigger the controller 28 to stop production if the adhesive dispensing deviates beyond user-specified upper and lower limits.

[0057] The measured weights will allow the end user to optimize adhesive application. Moreover, the user can set adhesive quantity band limits to ensure process control and identify pattern volume inconsistencies. The user can therefore optimize the amount of adhesive applied to every product and reject products that have too much or too little adhesive applied thereto. Moreover, the user can also detect operational defects which reduce flow, such as solenoid and module failures. Other operation defects may include clogged nozzles, which the user may fix by increasing pressure or performing maintenance.

[0058] Further, a calibration factor (i.e., K-factor) allows fine-tuning of the flow meter 80 for different operating conditions. For instance, the actual adhesive weight from one or more products is measured and compared to the displayed adhesive weight. The new K-factor value can then be calculated using the formula:  $\text{New K-factor} = \text{Old K-factor} * \text{Displayed Weight} / \text{Actual Weight}$ .

[0059] The user interface 29 of the adhesive tracking system 37 is in electrical communication with the controller 28 and includes a display screen that provides real time data to the user, including the average amount of adhesive add-on per product, the total amount of adhesive add-on, the average amount of adhesive add-on per hour, the total product count and defective product count, and alarm status and total alarms. Additionally, a USB port or other electronic media reader may be provided in communication with the processor for copying captured data logs and for providing access for system upgrades. Such data logs may be maintained and stored for retrieval, for example, daily, weekly, or quarterly.

[0060] These specific implementations described above are for illustrative purposes and are not intended to limit the scope of the disclosure as otherwise described and claimed herein. Modification and variations from the described implementations may exist.

What is claimed is:

1. An adhesive tracking system for monitoring an output of hot melt adhesive, the adhesive tracking system comprising:
  - a flow meter comprising a flow inlet and a flow outlet, the flow meter being configured to measure an amount of the adhesive flowing out of the flow outlet;
  - a manifold configured to output adhesive, the manifold being in fluid communication with the flow meter;
  - at least one product detector configured to sense a presence of a product to which the adhesive is applied; and
  - a controller in communication with the flow meter and the at least one product detector, the controller having a processor configured to:
    - determine a start time and an end time for application of the adhesive to the product,
    - receive the amount of the adhesive flowing out of the flow outlet of the flow meter from the start time to the end time, and
    - associate the amount of the adhesive with the product.
2. The system of claim 1, wherein:
  - the flow meter further comprises a housing having the flow inlet and the flow outlet, and
  - the manifold comprises an input port in fluid communication with the flow inlet of the flow meter and at least one output port in fluid communication with the flow outlet of the flow meter.
3. The system of claim 2, wherein the input port of the manifold is configured to be coupled to a heated adhesive supply configured to melt adhesive pellets.
4. The system of claim 1, wherein the flow meter is removably attached to the manifold.
5. The system of claim 1, wherein the flow meter is integral with the manifold.

6. The system of claim 1, wherein the flow outlet of the flow meter is configured to be coupled to a hose.

7. The system of claim 1, wherein the flow meter further comprises at least one rotatable drive gear.

8. The system of claim 7, wherein the flow meter further comprises at least one sensor for measuring rotation of the at least one rotatable drive gear.

9. The system of claim 1, wherein the at least one product detector is a photoelectric switch.

10. The system of claim 1, wherein the processor is further configured to calculate a weight of the adhesive flowing out of the flow outlet of the flow meter based on the received amount of adhesive.

11. The system of claim 1, wherein the processor is further configured to calculate a volume of the adhesive flowing out of the flow outlet of the flow meter based on the received amount of adhesive.

12. The system of claim 1, wherein the processor is further configured to:  
determine a second start time and a second end time for the application of the adhesive to two or more products;  
receive the amount of the adhesive flowing out of the flow outlet of the flow meter from the second start time to the second end time;  
calculate an average amount of adhesive applied to the two or more products between the second start time to the second end time; and  
associate the amount of the adhesive with each of the two or more products.

13. A method for monitoring hot melt adhesive flow, comprising:

detecting a presence of a product to which the adhesive is applied by using at least one product detector;

determining a start time and an end time for applying the adhesive to the product;

determining an amount of the adhesive applied to the product from the start time to the end time by measuring an amount of the adhesive dispensed from a manifold using a flow meter in fluid communication with the manifold; and

associating the amount of the adhesive with the product.

14. The method of claim 13, further comprising:

determining a second start time and a second end time for the application of the adhesive to two or more products;

measuring the amount of the adhesive flowing out of the manifold from the second start time to the second end time by using the flow meter;

calculating an average amount of adhesive applied to the two or more products between the second start time to the second end time; and

associating the amount of the adhesive with each of the two or more products.

15. The method of claim 14, further comprising:

triggering an alarm when the average amount of adhesive applied to the two or more products is outside a predetermined alarm threshold parameter.

16. The method of claim 15, wherein the alarm is an audible or visible signal.

17. The method of claim 15, further comprising:

determining the number of consecutive products having the average amount of adhesive that is outside the predetermined threshold parameter, wherein

triggering the alarm comprises triggering the alarm when the consecutive number of products exceeds a predetermined alarm delay parameter.

18. The method of claim 17, wherein the alarm delay parameter is user adjustable.

19. The method of claim 15, further comprising:  
determining the alarm threshold parameter based on the average amount of adhesive applied to the two or more products during a learning process.
20. A flow meter for use in a hot melt adhesive system including an adhesive supply, a manifold, a heater, and at least one hose connected to a dispensing applicator, the flow meter comprising:  
a housing body having a hollow central recess, a flow inlet passage configured to receive hot melt adhesive from the manifold, and a flow outlet passage configured to discharge hot melt adhesive back into the manifold;  
a housing cover removably attached to the housing body and having a flat inner surface proximal to the hollow central recess of the housing body;  
a pair of rotatable gears provided in the hollow central recess and rotatably secured between the housing body and the housing cover; and  
at least one sensor configured to measure an amount of hot melt adhesive flowing through the flow meter.
21. The flow meter of claim 20, wherein the housing body is removably connected to the manifold.
22. The flow meter of claim 20, wherein the housing body is integral with the manifold.
23. The flow meter of claim 20, wherein the at least one sensor comprises a pair of sensors configured to provide a quadrature output.
24. The flow meter of claim 23, wherein the pair of sensors are magnetic pick-up sensors.
25. The flow meter of claim 20, wherein the flow outlet passage is connected directly to the at least one hose.

26. The flow meter of claim 20, further comprising an elastomeric seal within the housing body.

27. The flow meter of claim 20, wherein the gears are linear series of intermeshing spur gears that are each configured to rotate about respective pins provided in corresponding bushings in the housing body.

28. The flow meter of claim 27, wherein the spur gears are substantially coplanar and positioned so that teeth of each spur gear intermesh with each other.

29. The flow meter of claim 28, wherein each gear is configured to rotate in an opposite direction relative to one another to create a positive displacement of hot melt adhesive through the flow meter.

30. The flow meter of claim 27, further comprising a pair of support shafts provided in the housing cover configured to retain the respective spur gears within the recess of the housing body.

31. The flow meter of claim 30, further comprising a thin membrane provided underneath the at least one sensor on the flat inner surface of the housing cover, such that the thin membrane is disposed between the at least one sensor and the gears.

32. A hot melt adhesive system, comprising:  
an adhesive supply holding solid or semi-solid hot melt adhesive;  
a heater associated with the adhesive supply for melting the solid or semi-solid hot melt adhesive into a liquid hot melt adhesive;  
a first manifold in fluid communication with the adhesive supply;  
a pump for pumping the liquid hot melt adhesive from the heater into the first manifold;  
an air pressure regulator for regulating the flow of air into the pump from an air supply;  
at least one adhesive applicator configured to apply the liquid hot melt adhesive to a substrate; and

an adhesive tracking system for monitoring an output of the liquid hot melt adhesive.

33. The hot melt adhesive system of claim 32, wherein the air pressure regulator is a diaphragm style regulator.

34. The hot melt adhesive system of claim 32, wherein the adhesive tracking system further comprises:

an auxiliary manifold in fluid communication with the first manifold;

a flow meter comprising a flow inlet and a flow outlet, the flow meter being configured to measure an amount of the adhesive flowing out of the flow outlet and being in fluid communication with the auxiliary manifold;

a product detector configured to sense a presence of a product to which the adhesive is applied; and

a controller in communication with the flow meter and the product detector, the controller having a processor configured to determine the total amount of the liquid adhesive dispensed and the average amount of liquid adhesive dispensed per product.

35. The hot melt adhesive system of claim 34, wherein the auxiliary manifold is directly mounted to the first manifold.

36. The hot melt adhesive system of claim 34, wherein the auxiliary manifold is remotely mounted to the first manifold.

37. The hot melt adhesive system of claim 34, further comprising at least one hose in fluid communication with the auxiliary manifold and the at least one adhesive applicator for transporting the liquid hot melt adhesive from the auxiliary manifold to the at least one adhesive applicator.

38. The hot melt adhesive system of claim 37, wherein the flow meter is fitted to the end of the at least one hose at a location proximal the at least one adhesive applicator.

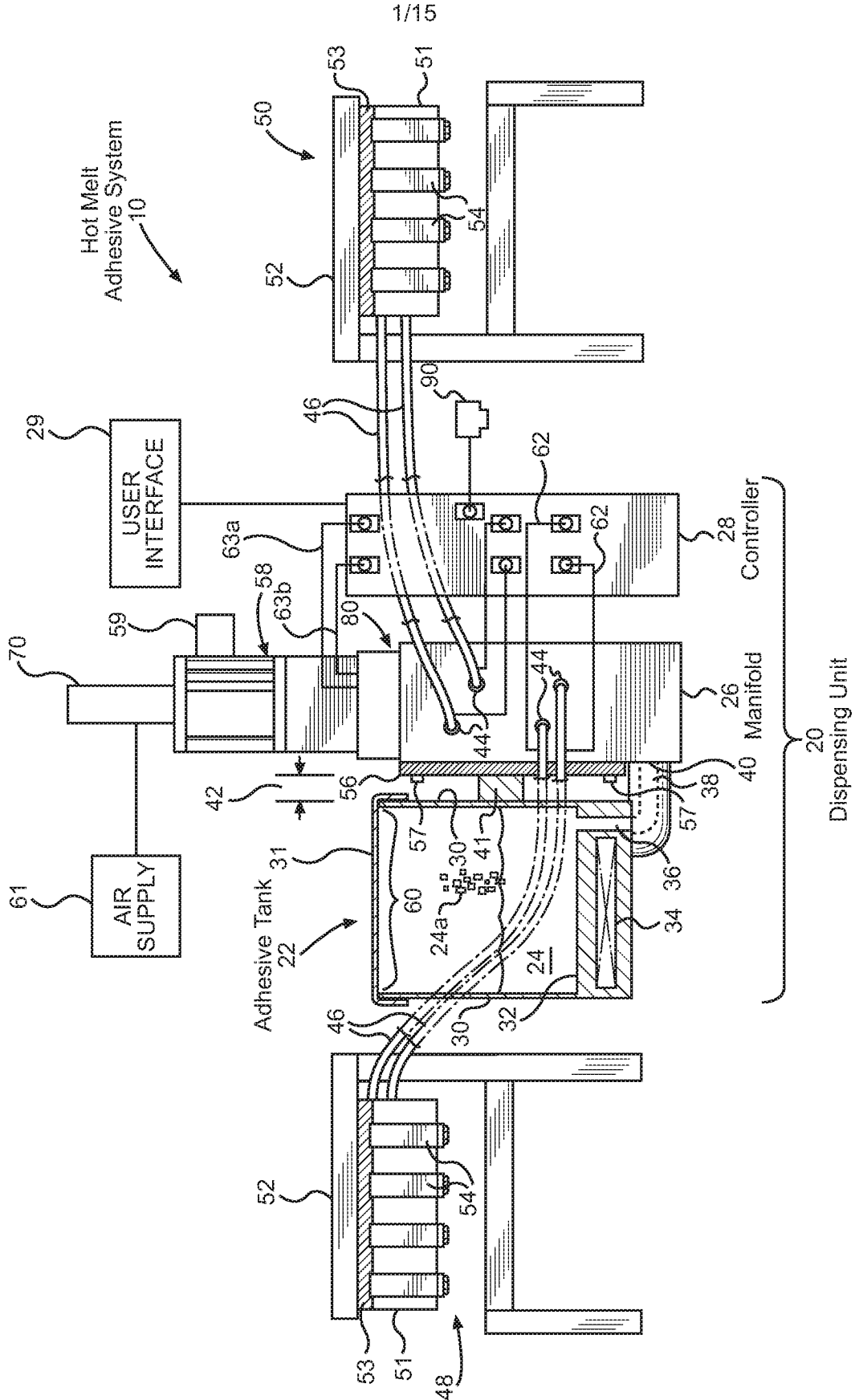


FIG. 1

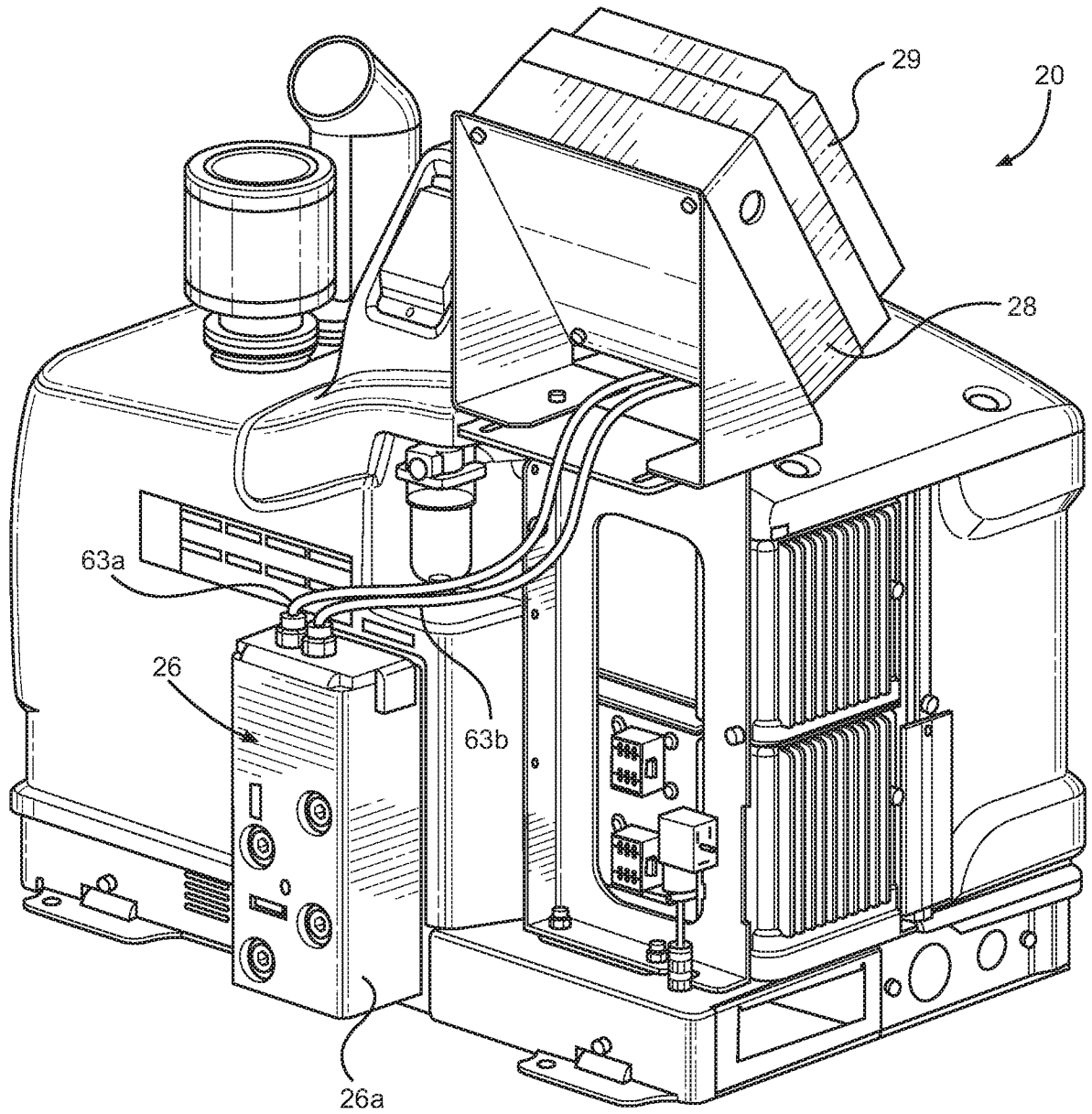


FIG. 2A

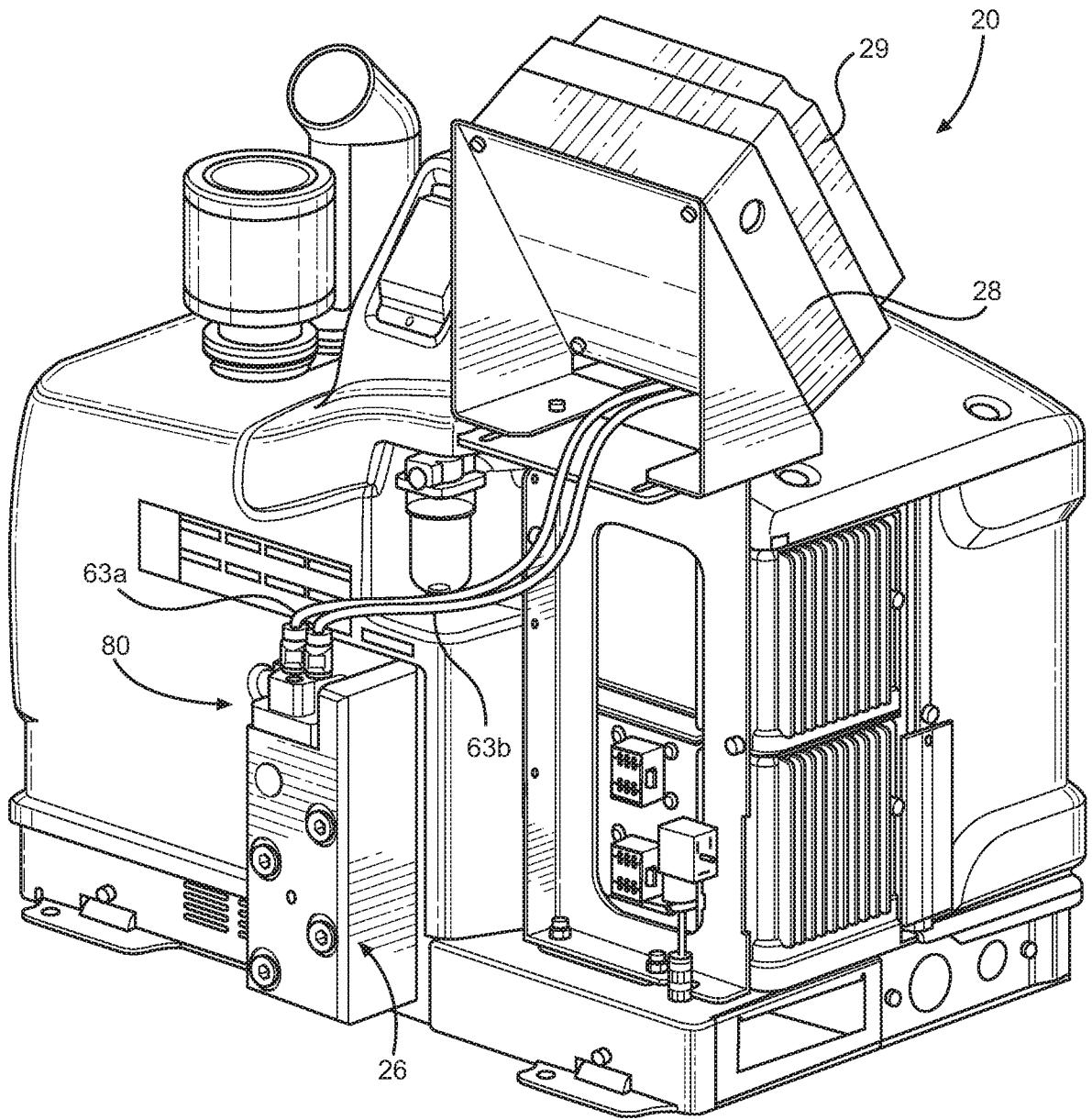


FIG. 2B

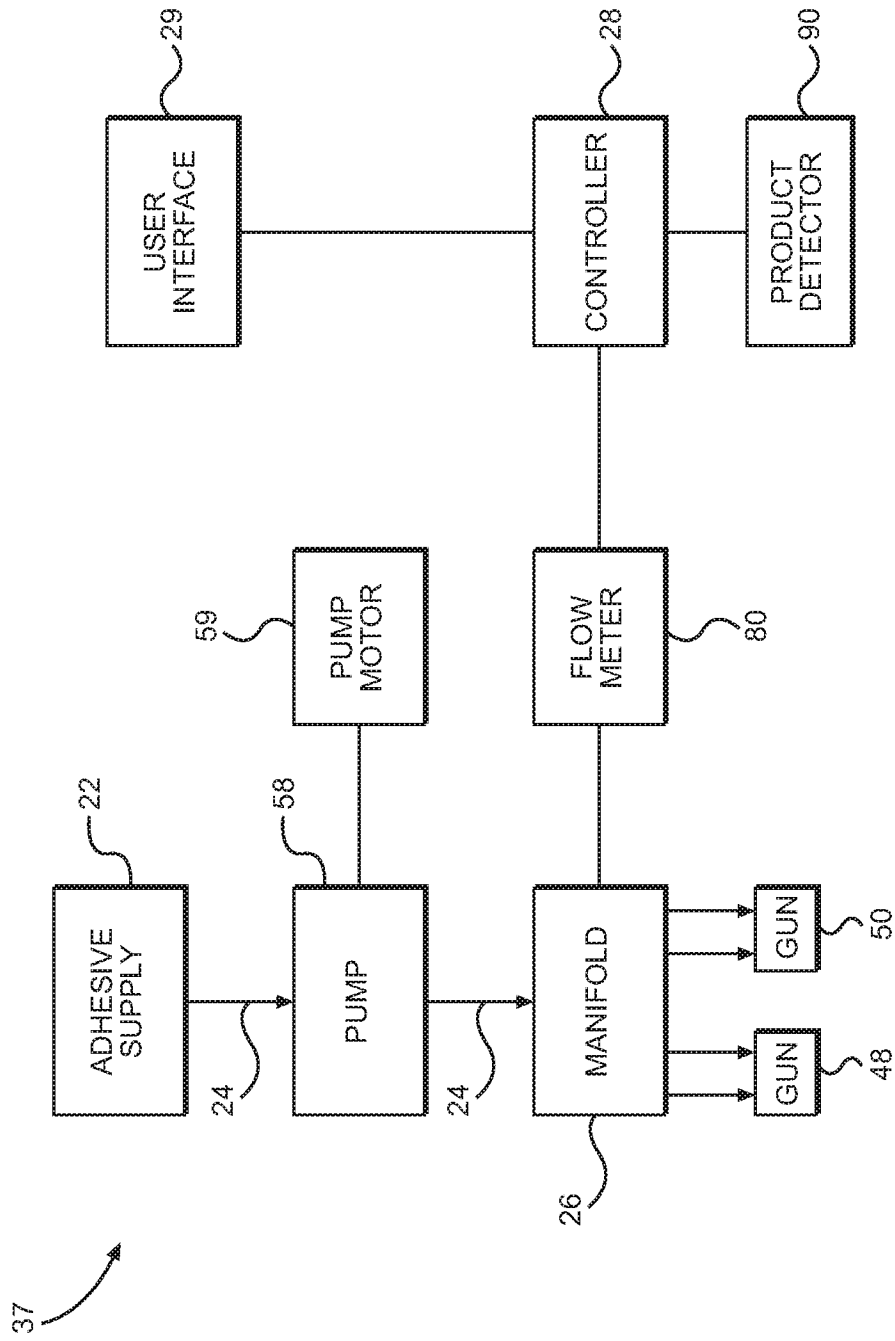


FIG. 3

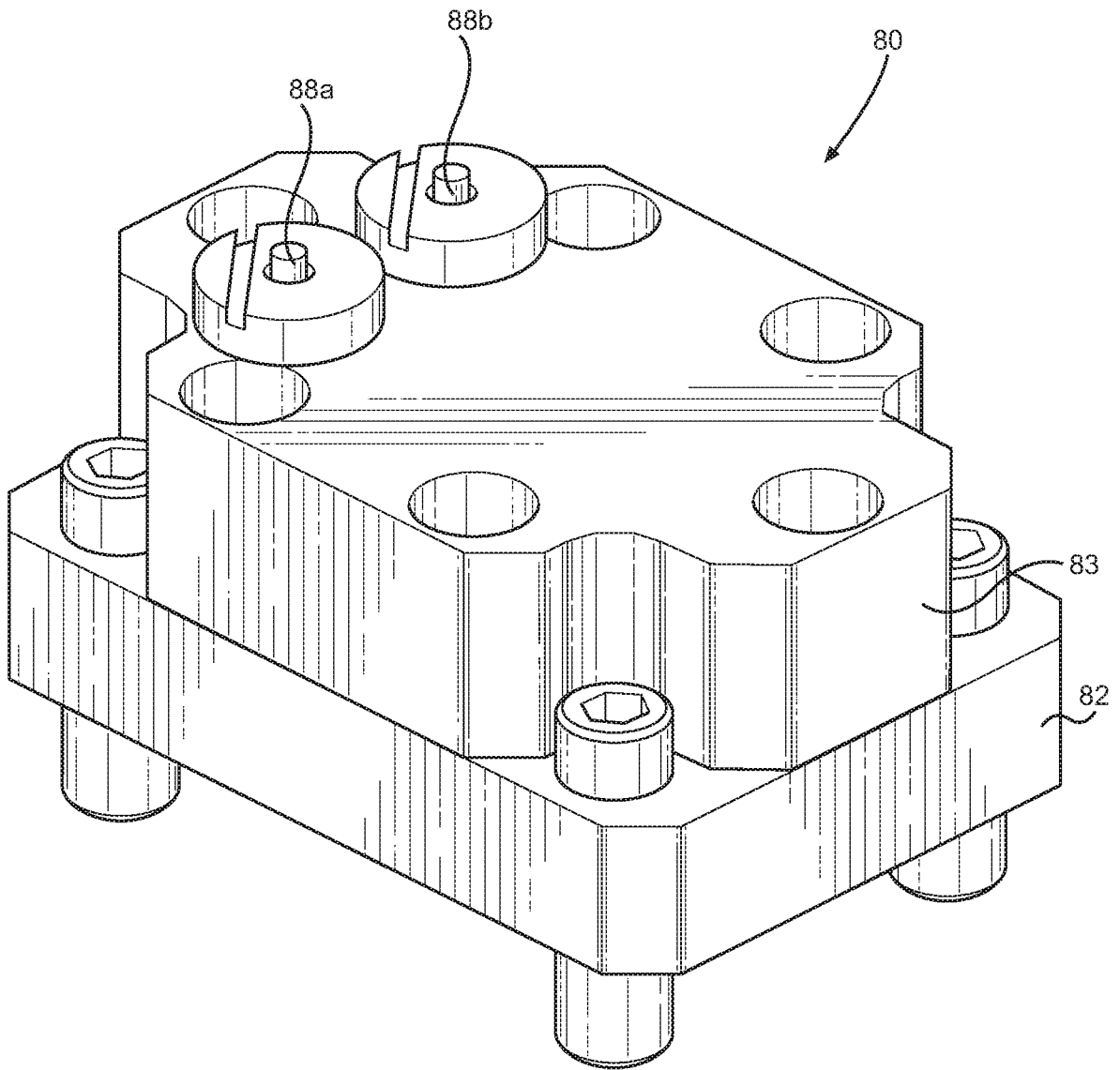


FIG. 4

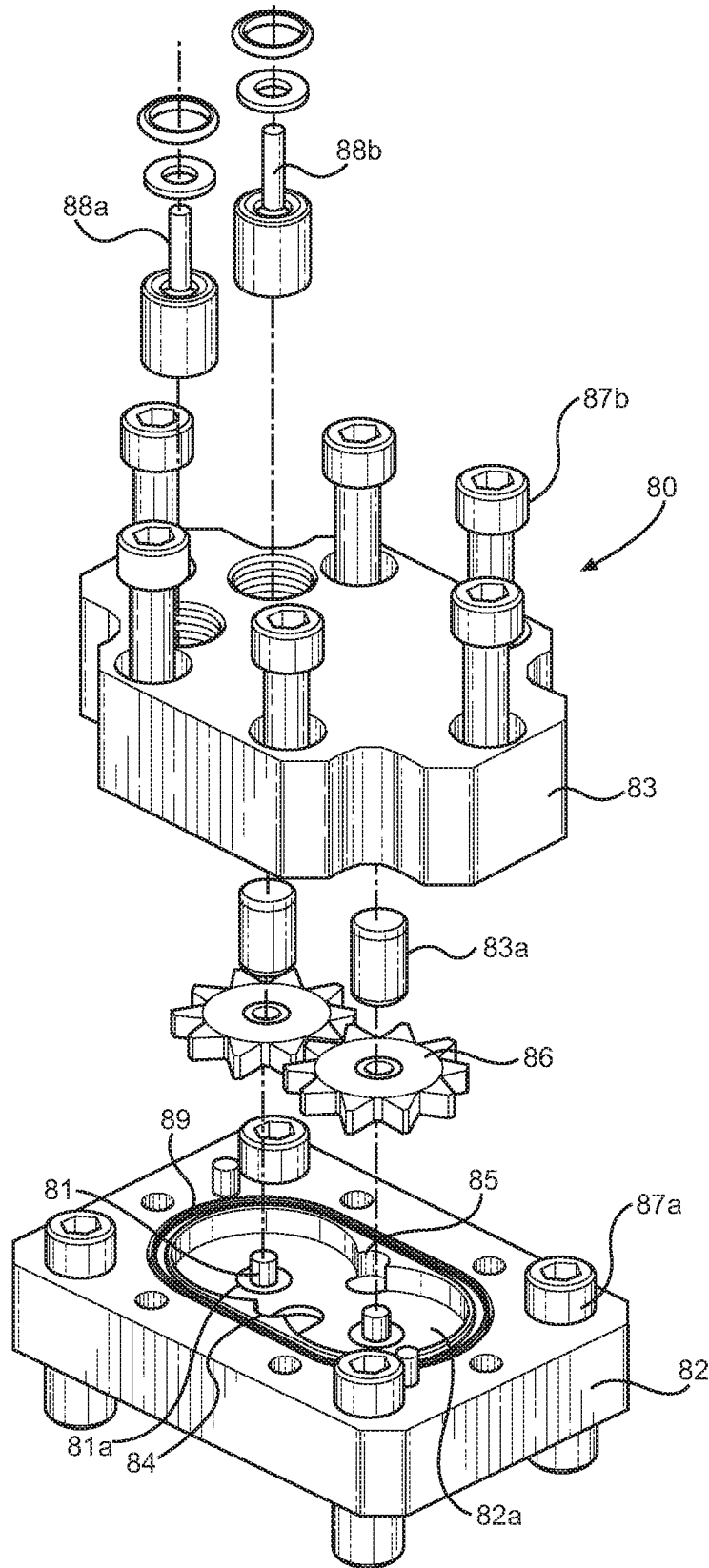


FIG. 5

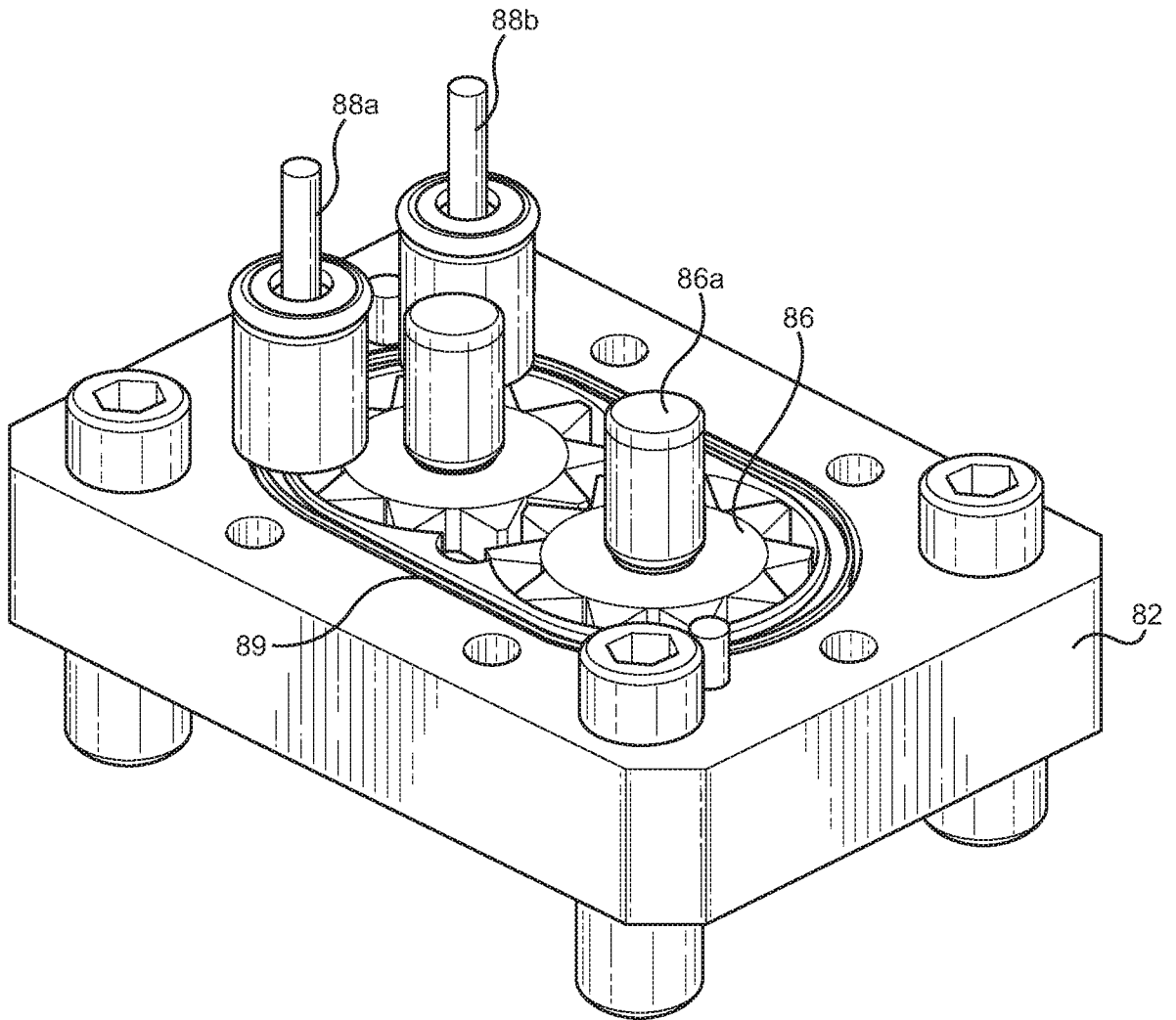


FIG. 6

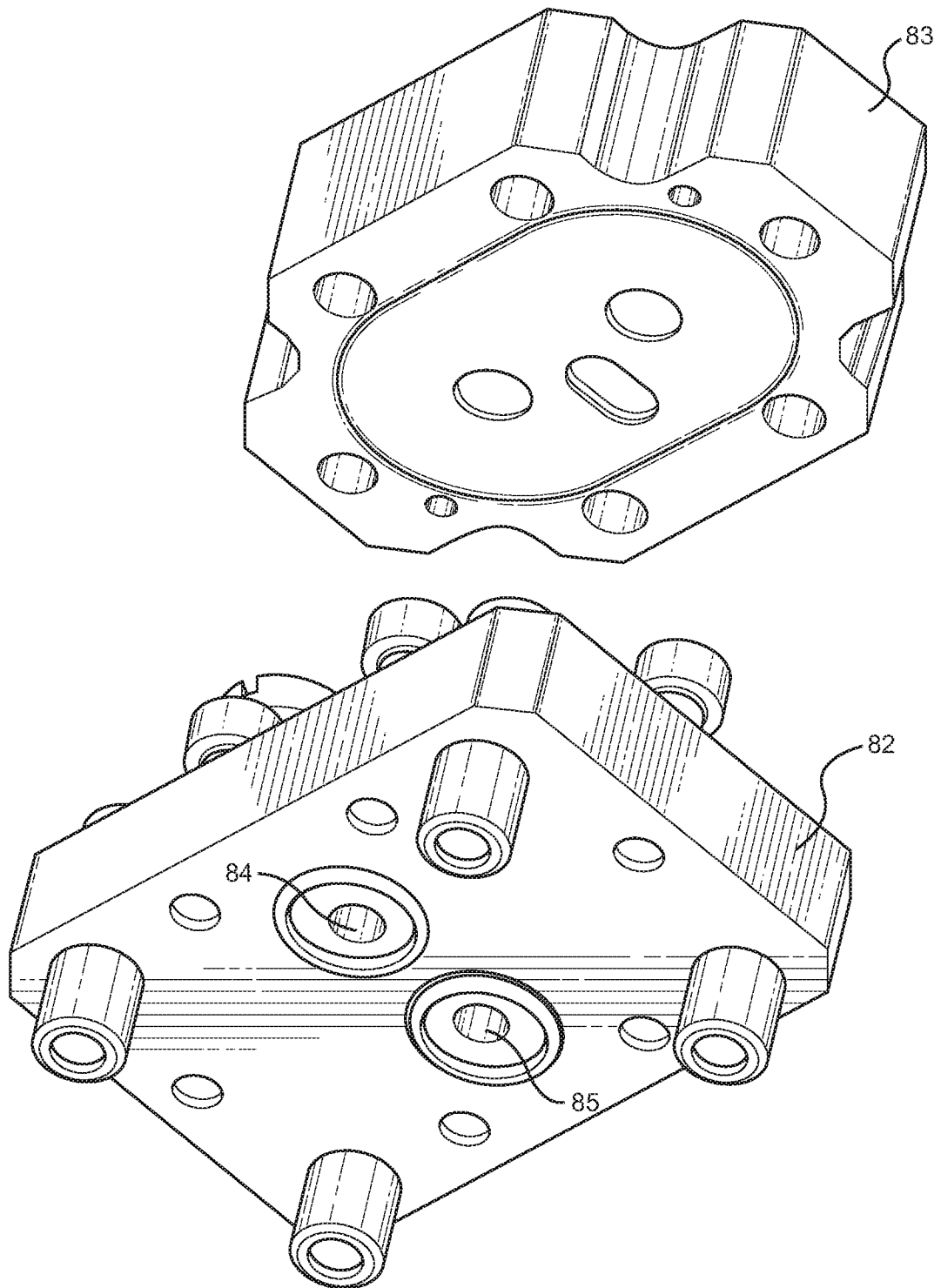
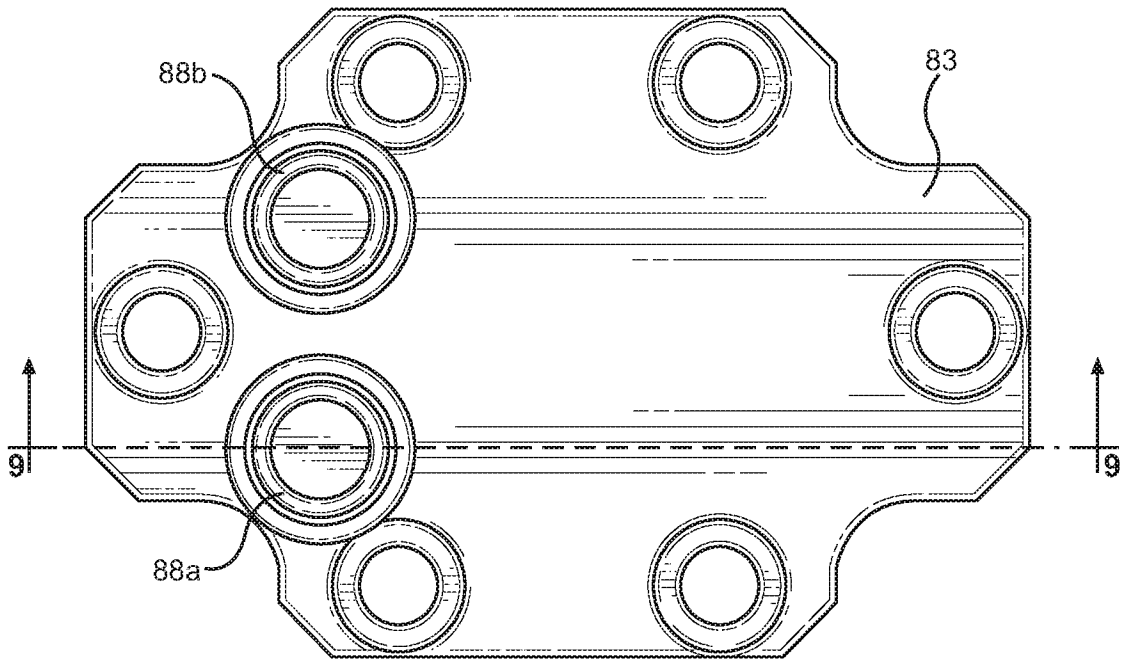
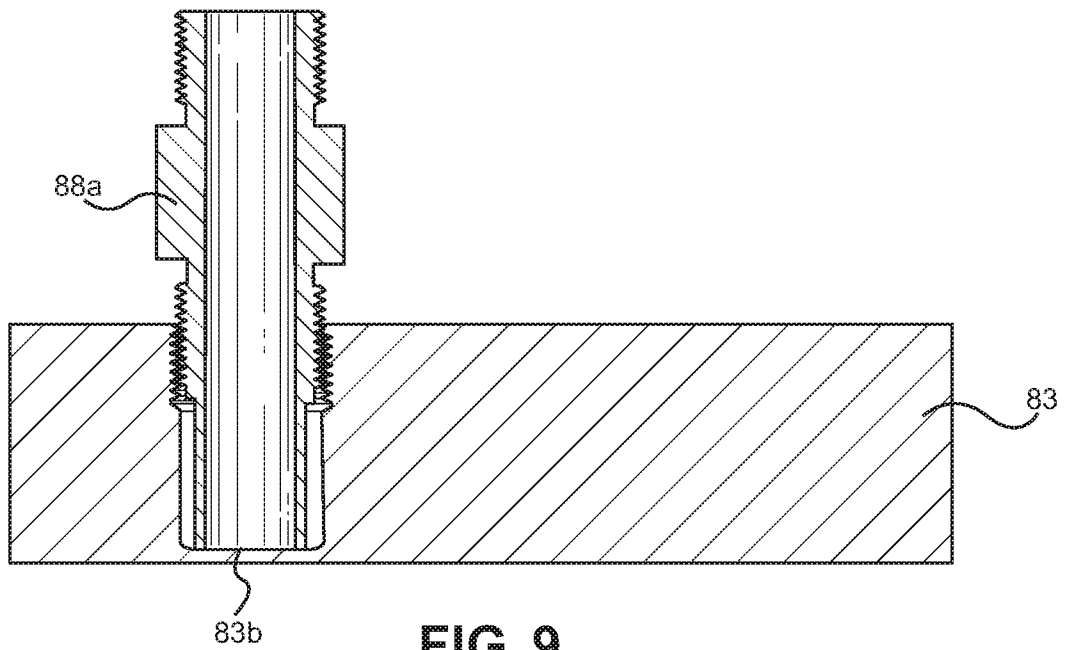


FIG. 7



**FIG. 8**



**FIG. 9**

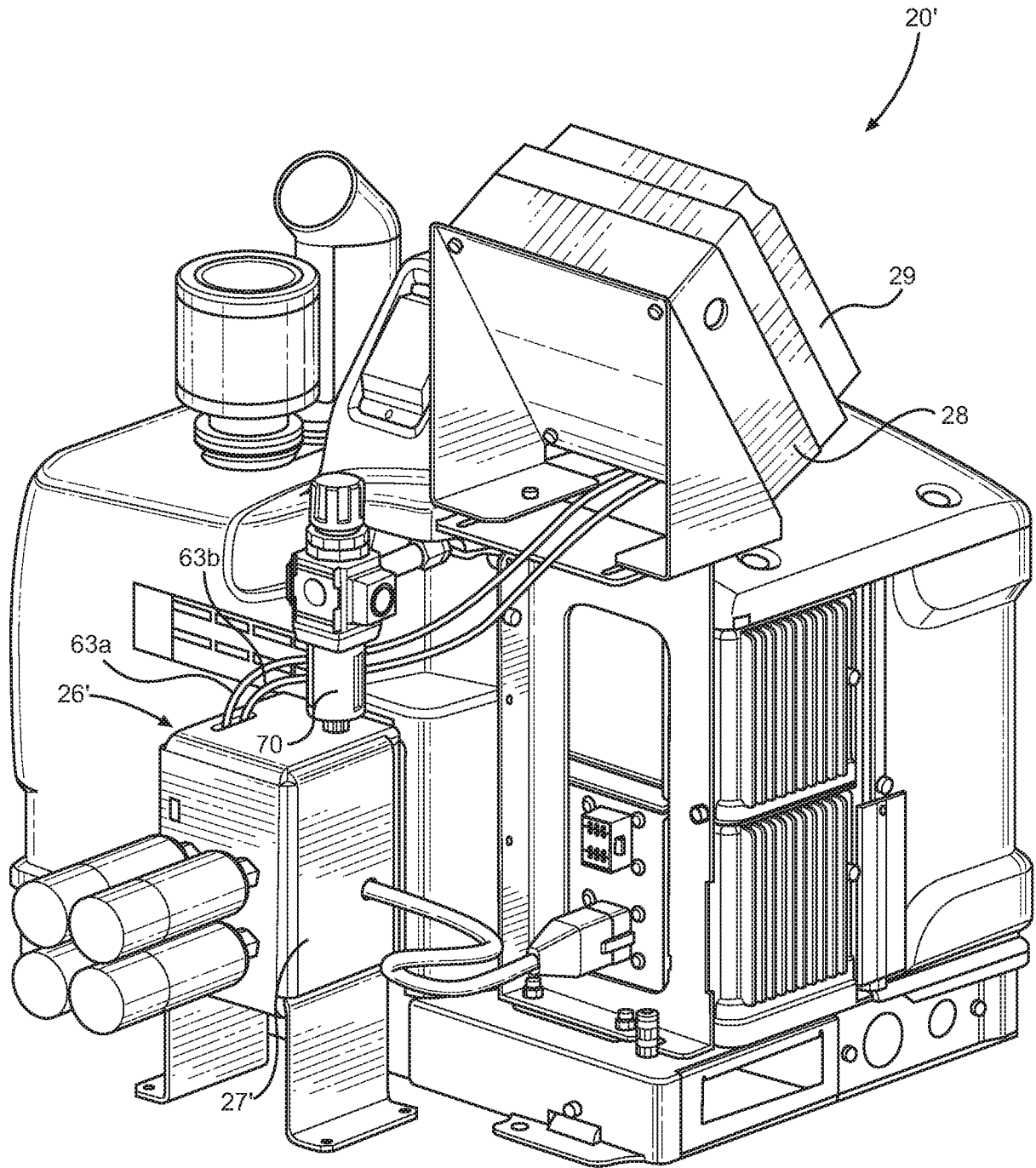


FIG. 10A

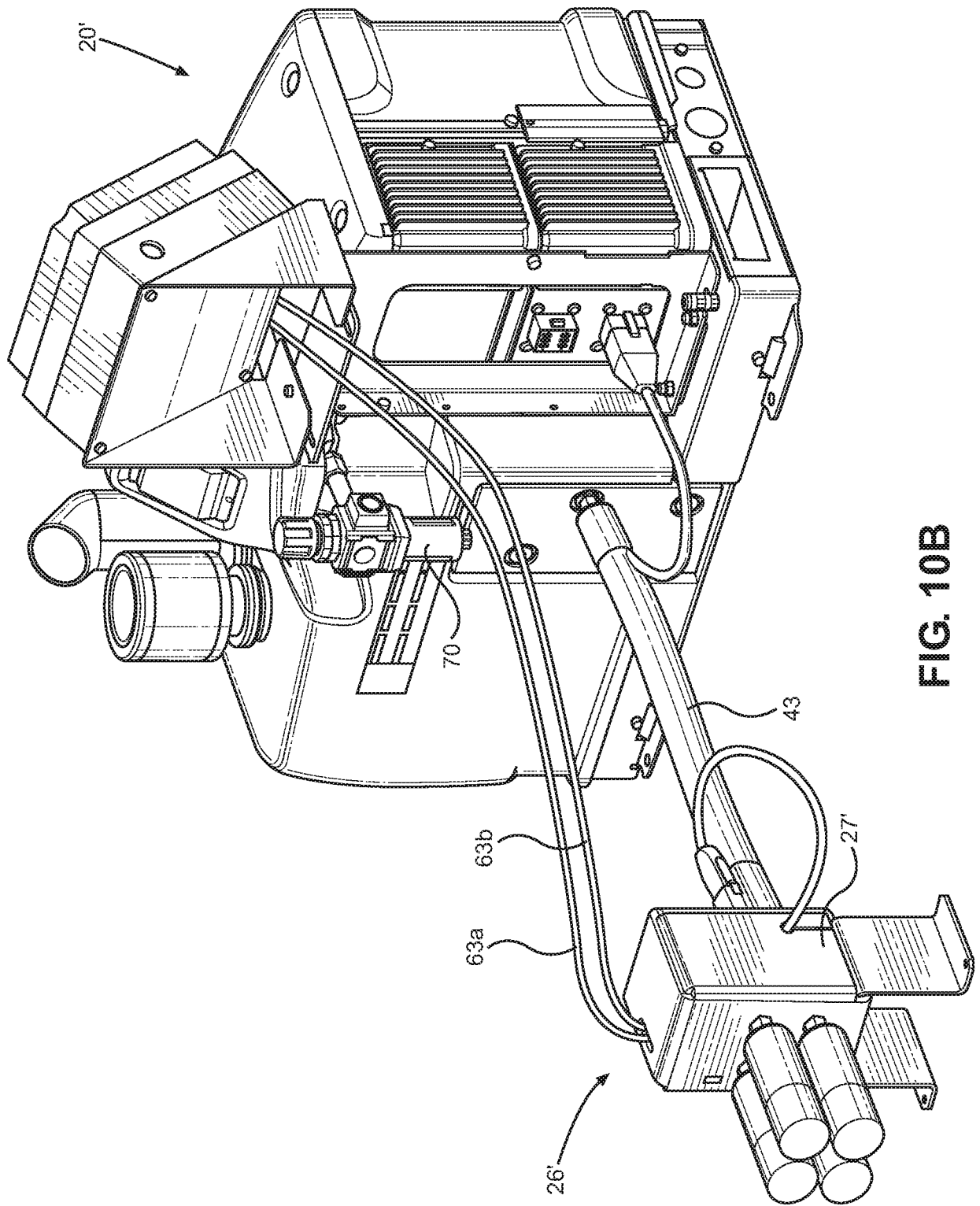


FIG. 10B

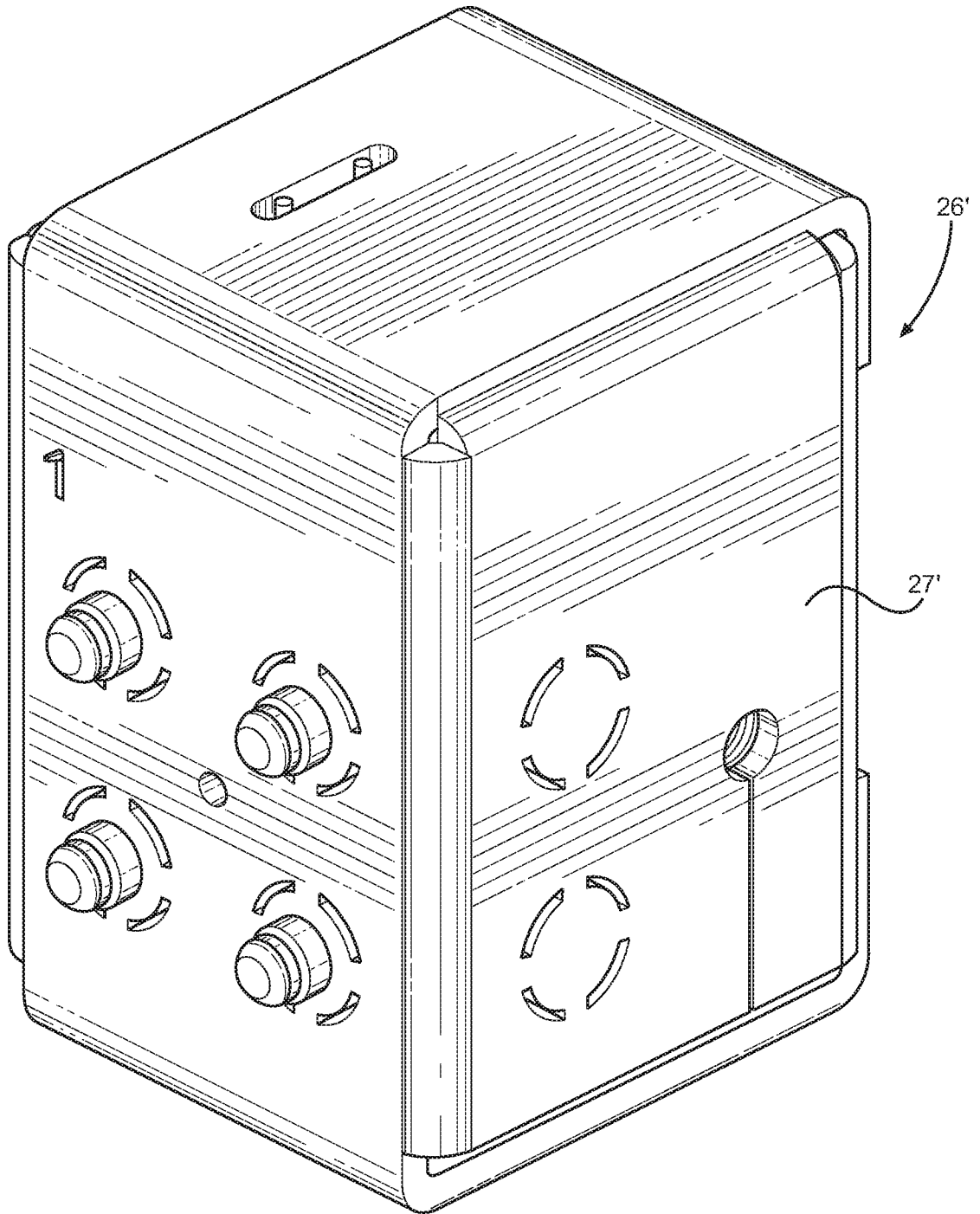


FIG. 11A

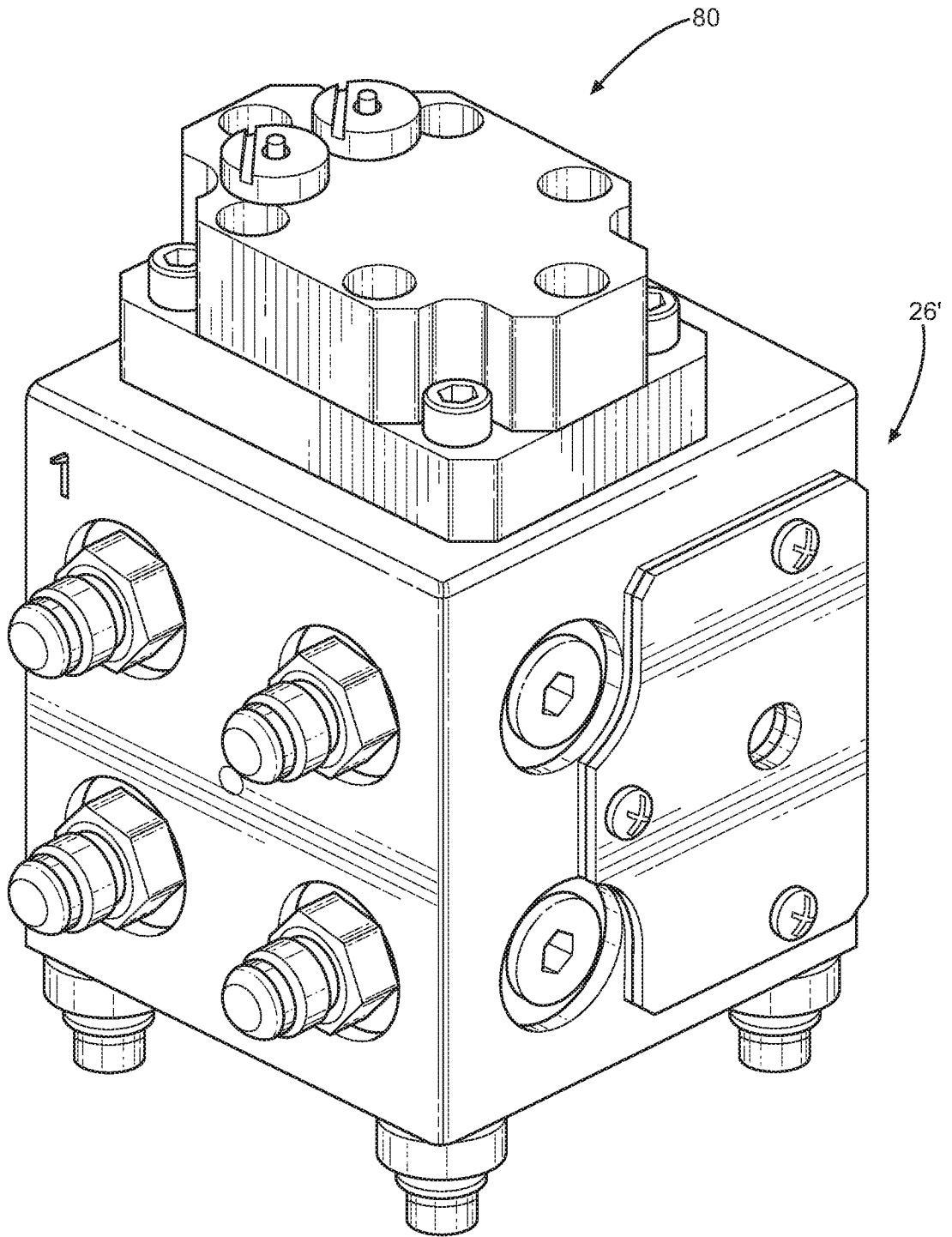


FIG. 11B

14/15

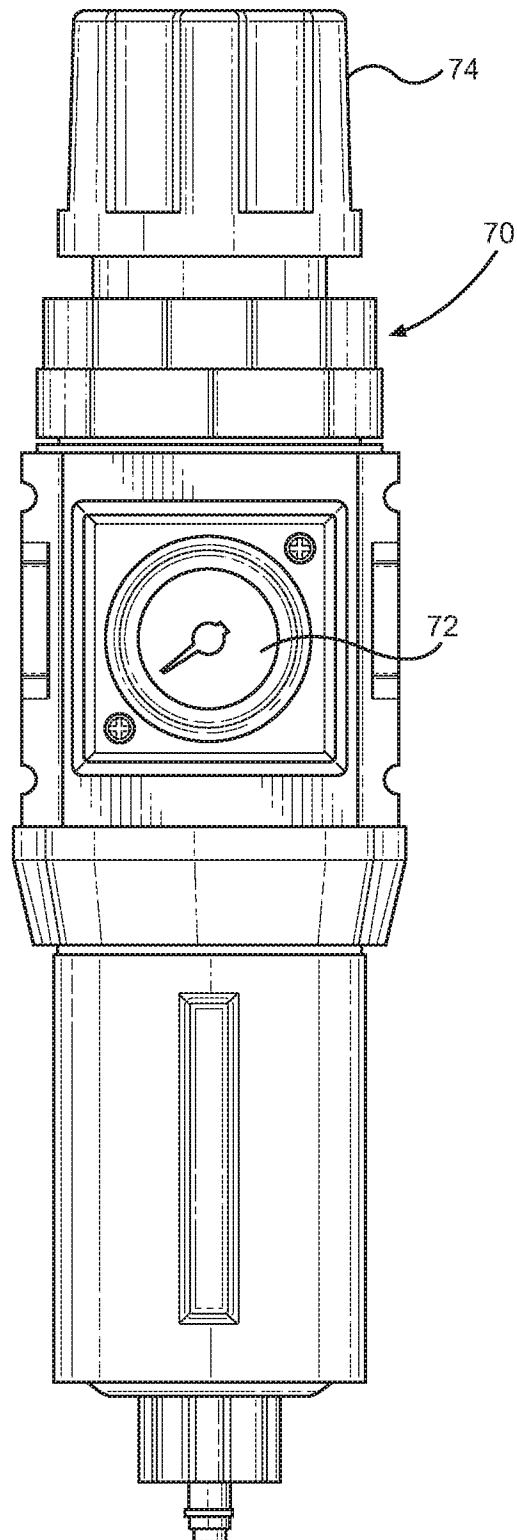


FIG. 12A

15/15

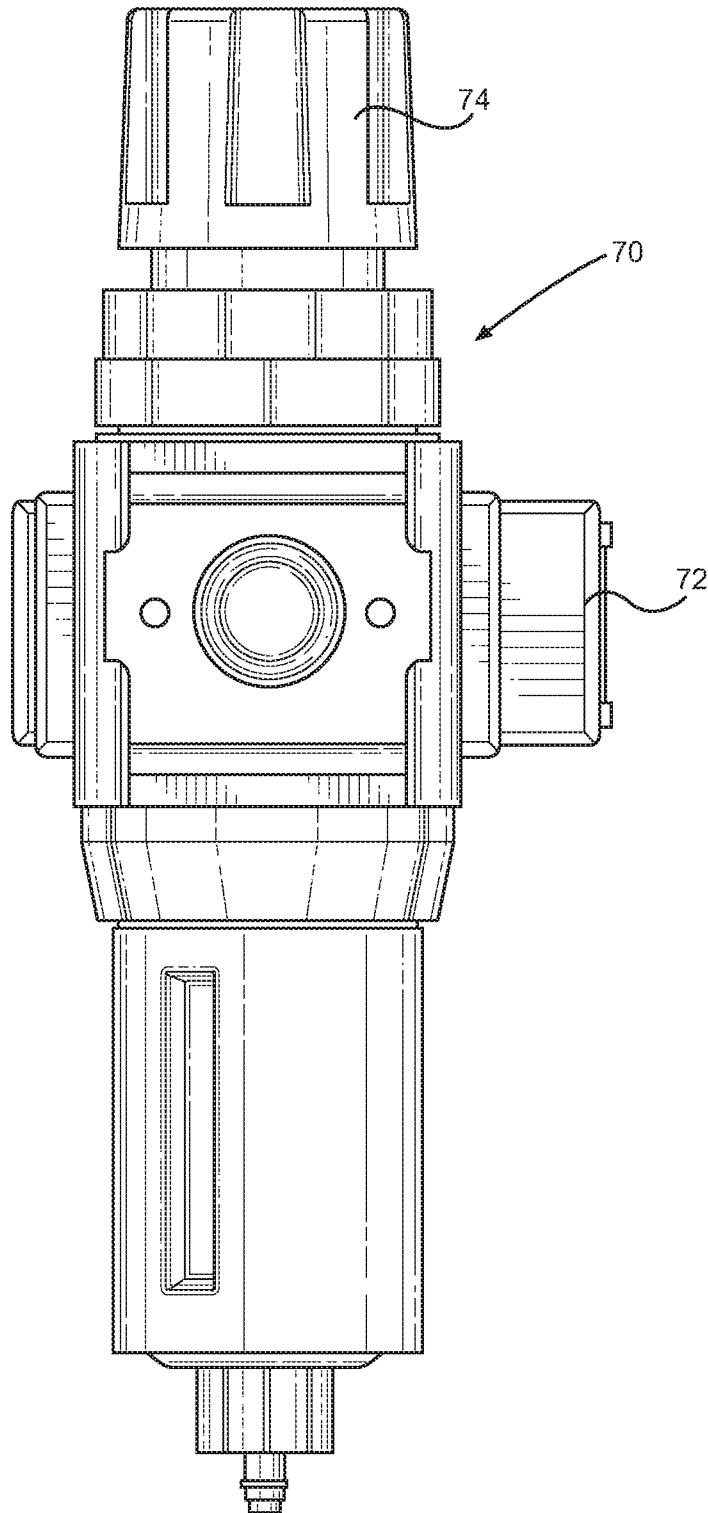


FIG. 12B