



US00D724760S

(12) **United States Design Patent**
Saunders et al.

(10) **Patent No.:** **US D724,760 S**

(45) **Date of Patent:** **** *Mar. 17, 2015**

- (54) **FOUNDATION ELEMENT**
- (71) Applicant: **Knew Foundation Systems Pty Ltd.**,
Brisbane QLD (AU)
- (72) Inventors: **Kevin Allan Saunders**, Auckland (NZ);
Gary Kenneth Lord, Auckland (NZ)
- (73) Assignee: **Knew Foundation Systems Pty Ltd.**,
Brisbane (AU)

D301,530 S *	6/1989	Jonker	D6/585
D365,158 S *	12/1995	Tinen	D25/138
D409,686 S *	5/1999	Toft	D21/504
D426,933 S *	6/2000	Redfern	D34/38
6,345,474 B1 *	2/2002	Triplett	52/169.9
6,612,776 B1 *	9/2003	Jansson	405/20
D516,228 S *	2/2006	Dunbar	D25/113
7,416,166 B1 *	8/2008	Shaw	254/88
D581,553 S *	11/2008	Cooper	D25/163
D652,952 S *	1/2012	Angel	D25/113
2012/0020746 A1 *	1/2012	Astolfi et al.	405/284

(*) Notice: This patent is subject to a terminal disclaimer.

(**) Term: **14 Years**

(21) Appl. No.: **29/479,588**

(22) Filed: **Jan. 17, 2014**

(30) **Foreign Application Priority Data**
Jul. 17, 2013 (AU) 201313417

(51) **LOC (10) Cl.** **25-01**

(52) **U.S. Cl.**
USPC **D25/113**

(58) **Field of Classification Search**
USPC D25/113-118, 136, 138, 164;
D21/484-491, 499-504; D8/1; 52/247,
52/274, 292, 293.1-293.3
See application file for complete search history.

(56) **References Cited**
U.S. PATENT DOCUMENTS
725,364 A * 4/1903 Puls 52/390
D259,283 S * 5/1981 DeClute D25/153

FOREIGN PATENT DOCUMENTS

WO 2012/176157 A1 12/2012

* cited by examiner

Primary Examiner — Anhdao Doan

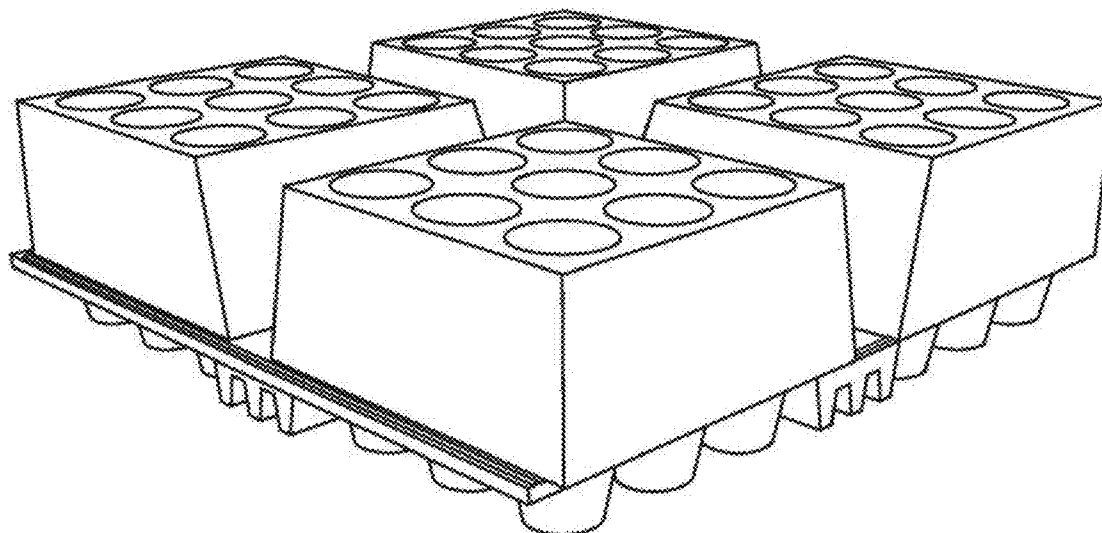
(74) *Attorney, Agent, or Firm* — McDonnell, Boehnen,
Hulbert & Berghoff LLP

(57) **CLAIM**
The ornamental design for a foundation element, as shown and described.

DESCRIPTION

FIG. 1 is a perspective view of a foundation element, according to our new design;
FIG. 2 is another perspective view thereof;
FIG. 3 is a top view thereof;
FIG. 4 is a front view thereof;
FIG. 5 is a left side view thereof;
FIG. 6 is a back view thereof;
FIG. 7 is a right side view thereof; and,
FIG. 8 is a bottom view thereof.

1 Claim, 8 Drawing Sheets



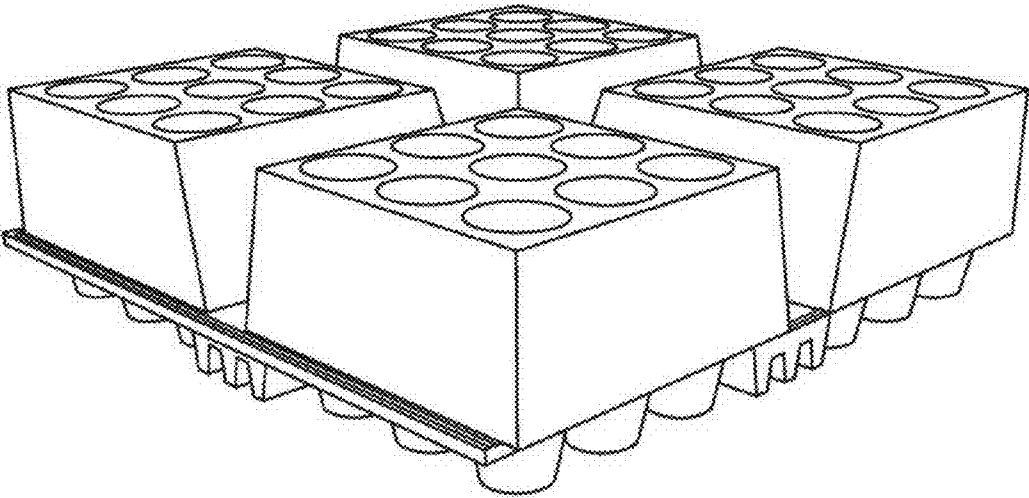


FIGURE 1

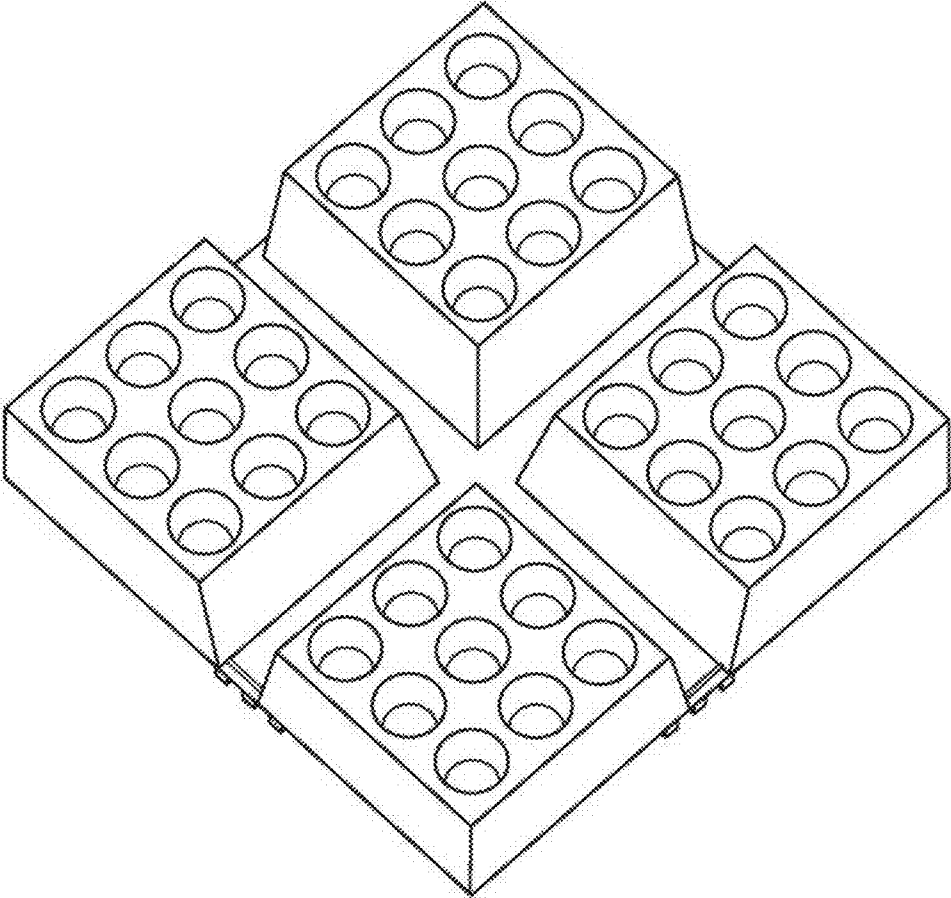


FIGURE 2

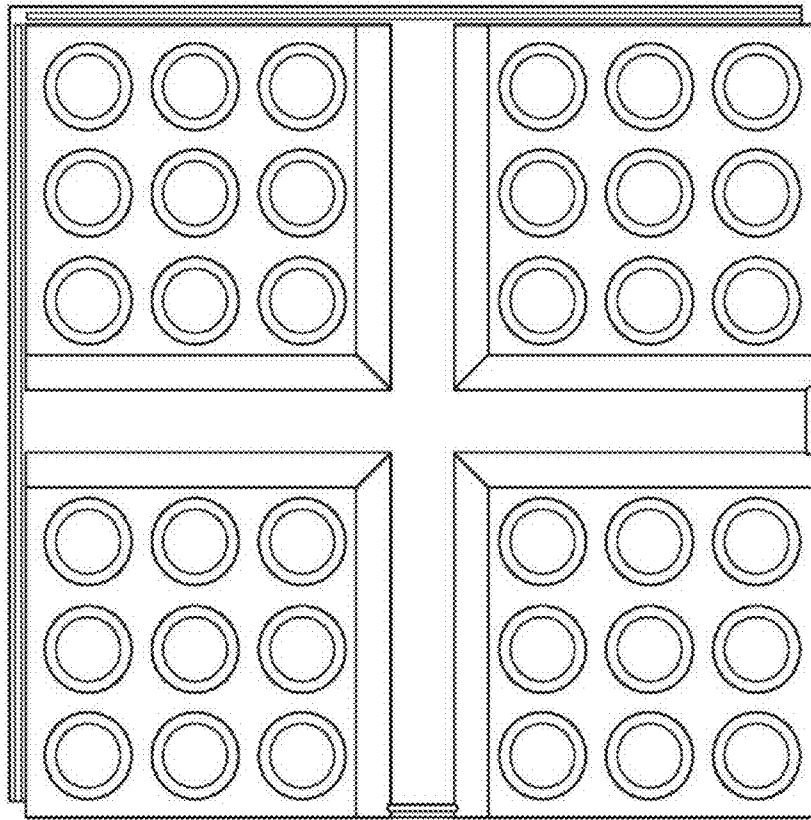


FIGURE 3

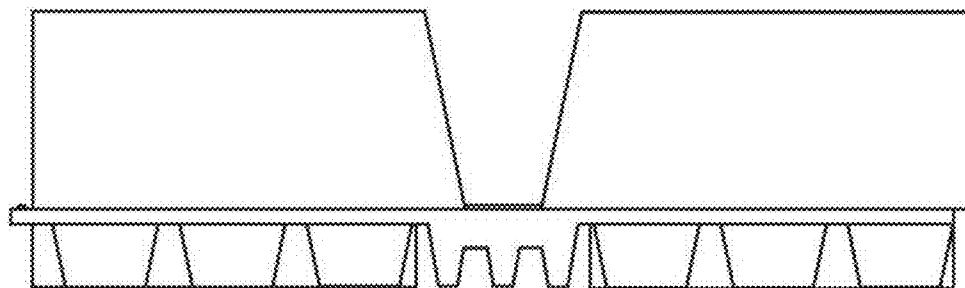


FIGURE 4

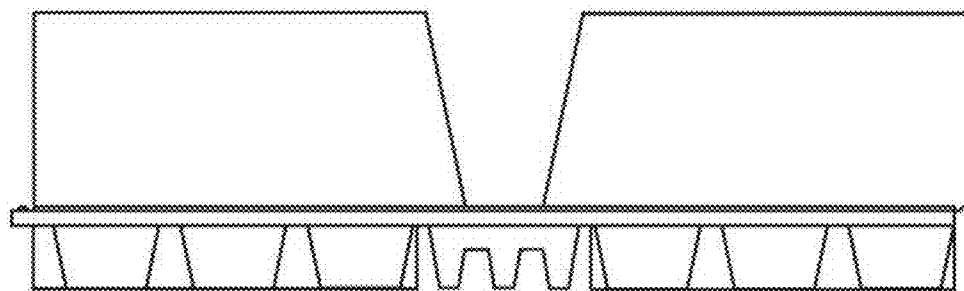


FIGURE 5

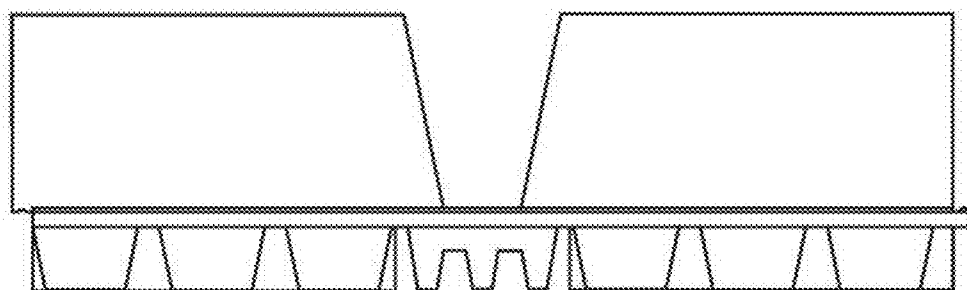


FIGURE 6

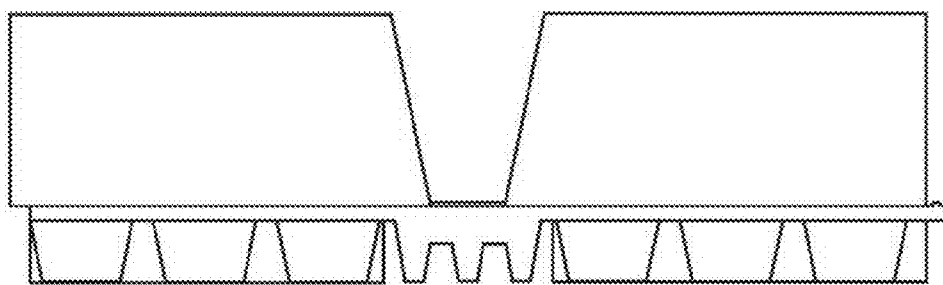


FIGURE 7

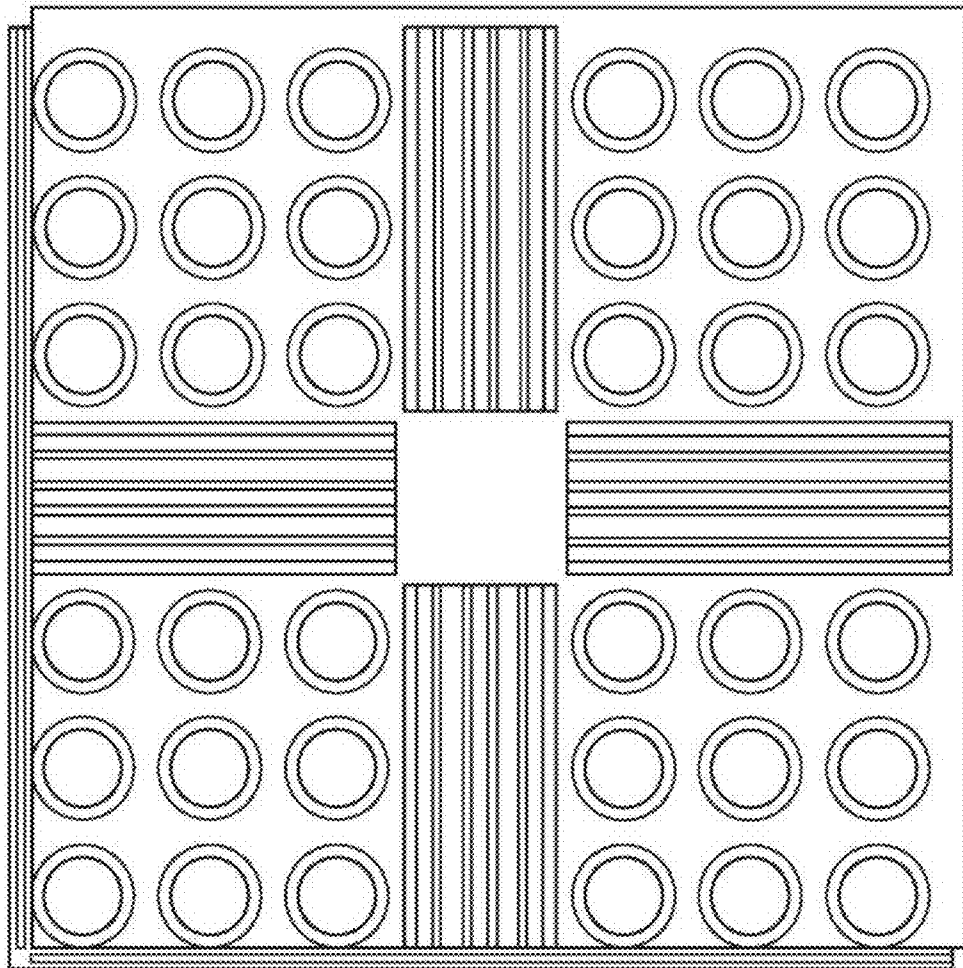


FIGURE 8