



US00D647201S

(12) **United States Design Patent**
Gauthier et al.

(10) **Patent No.:** **US D647,201 S**

(45) **Date of Patent:** **** Oct. 18, 2011**

(54) **TOOL**

(75) Inventors: **Michael T. Gauthier**, Grafton, WI (US);
Robert F. Miller, Grafton, WI (US);
Robert Bast, Sheboygan Falls, WI (US);
Austin R. S. Braganza, Milwaukee, WI (US)

(73) Assignee: **Gauthier Biomedical Inc.**, Grafton, WI (US)

(**) Term: **14 Years**

(21) Appl. No.: **29/376,223**

(22) Filed: **Oct. 4, 2010**

(51) **LOC (9) Cl.** **24-02**

(52) **U.S. Cl.** **D24/133; D8/83; D24/145**

(58) **Field of Classification Search** D24/145,
D24/133, 140, 146-147; D15/17-18; D8/83,
D8/94, 107, 300, 301, 303, 307, DIG. 1,
D8/DIG. 7, 21; 16/110.1, 422, 426, 430;
81/60, 177.1, 177.3, 489, 177.5, 474, 436;
606/86 R, 86 A, 86 B, 104, 167

See application file for complete search history.

(56) **References Cited**

U.S. PATENT DOCUMENTS

4,238,978 A * 12/1980 Leone 81/480
D315,793 S * 3/1991 Trott D24/147

D394,794 S * 6/1998 Vasudeva D8/107
7,272,998 B1 * 9/2007 Gauthier 81/474
D557,584 S * 12/2007 Gao D8/107
D613,139 S * 4/2010 Lai D8/21
D613,144 S * 4/2010 Lin D8/83
2010/0180731 A1 * 7/2010 Gauthier et al. 81/60
2010/0180732 A1 * 7/2010 Gauthier et al. 81/60
2010/0204703 A1 * 8/2010 Gao 606/104
2010/0294084 A1 * 11/2010 Gauthier et al. 81/60
2011/0112587 A1 * 5/2011 Patel et al. 606/86 A

* cited by examiner

Primary Examiner — Ian Simmons

Assistant Examiner — Wan Laymon

(74) *Attorney, Agent, or Firm* — Boyle Fredrickson, S.C.

(57) **CLAIM**

The ornamental design for a tool, as shown and described.

DESCRIPTION

FIG. 1 is an isometric view of a tool incorporating our new design, wherein the portions illustrated in dotted lines form no part of the claimed design;

FIG. 2 is a front elevation view thereof;

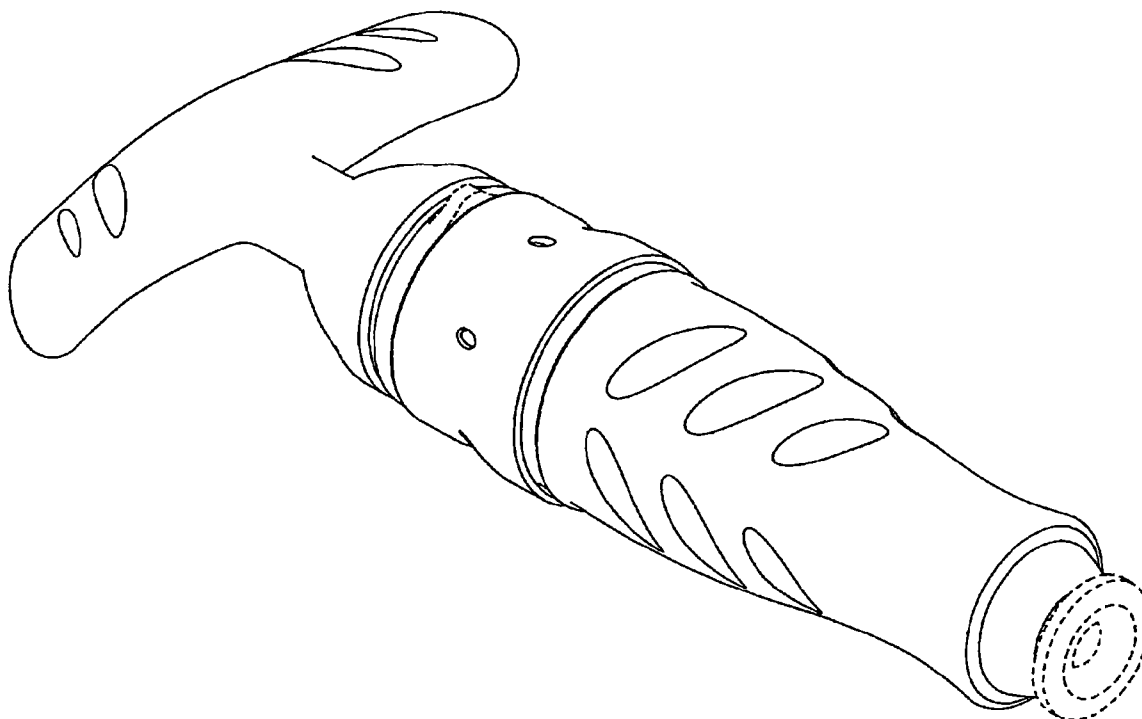
FIG. 3 is a rear elevation view thereof;

FIG. 4 is a top plan view thereof;

FIG. 5 is a bottom plan thereof; and,

FIG. 6 is a left side elevation view thereof, the right side view being a mirror image thereof.

1 Claim, 6 Drawing Sheets



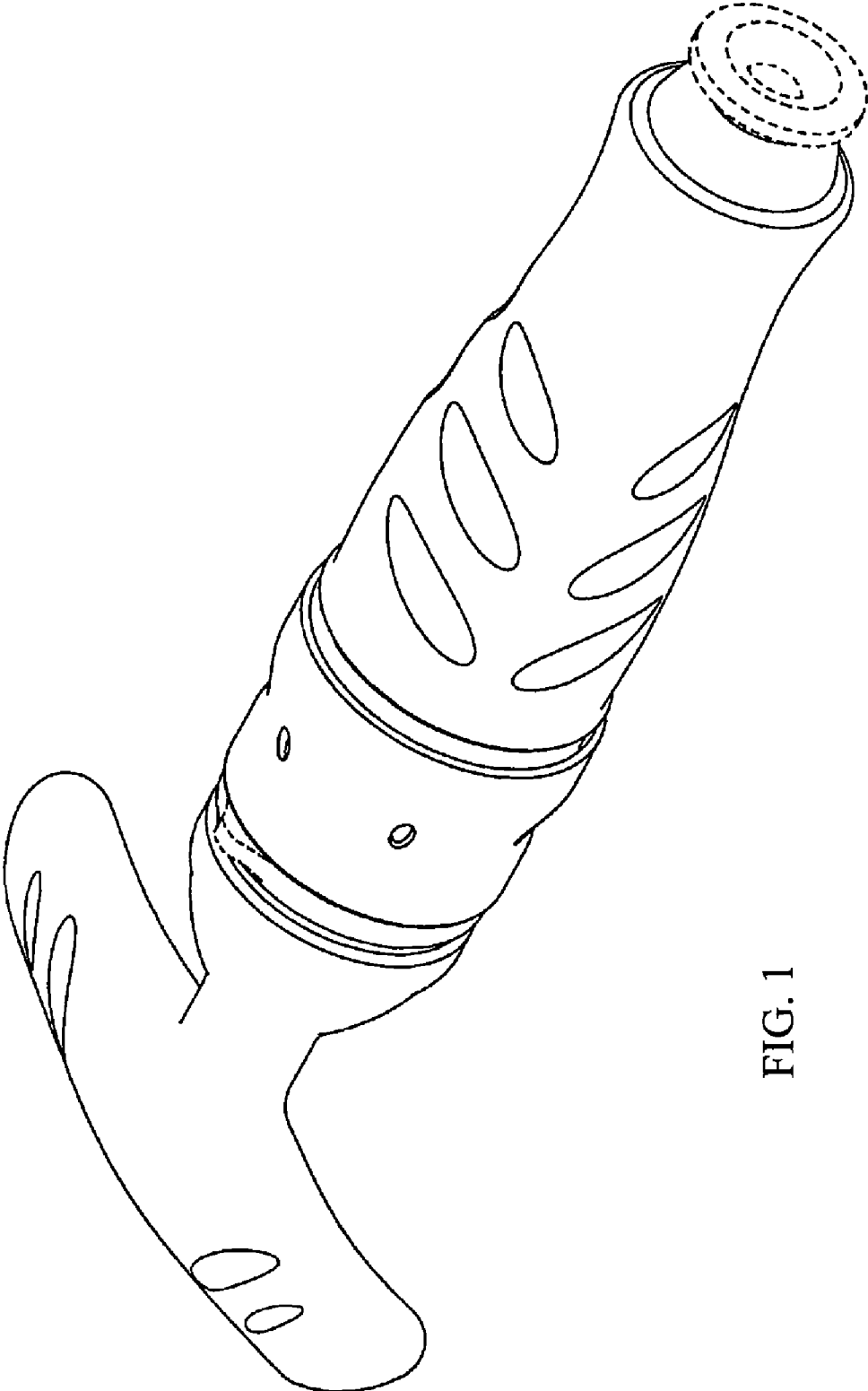


FIG. 1

FIG. 2

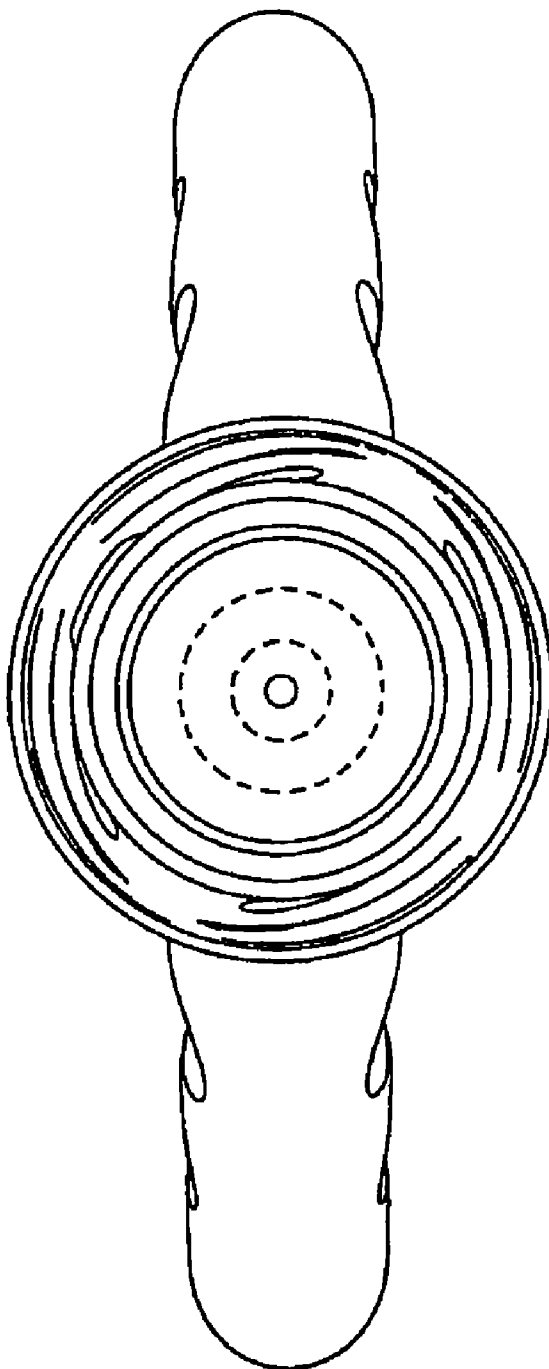
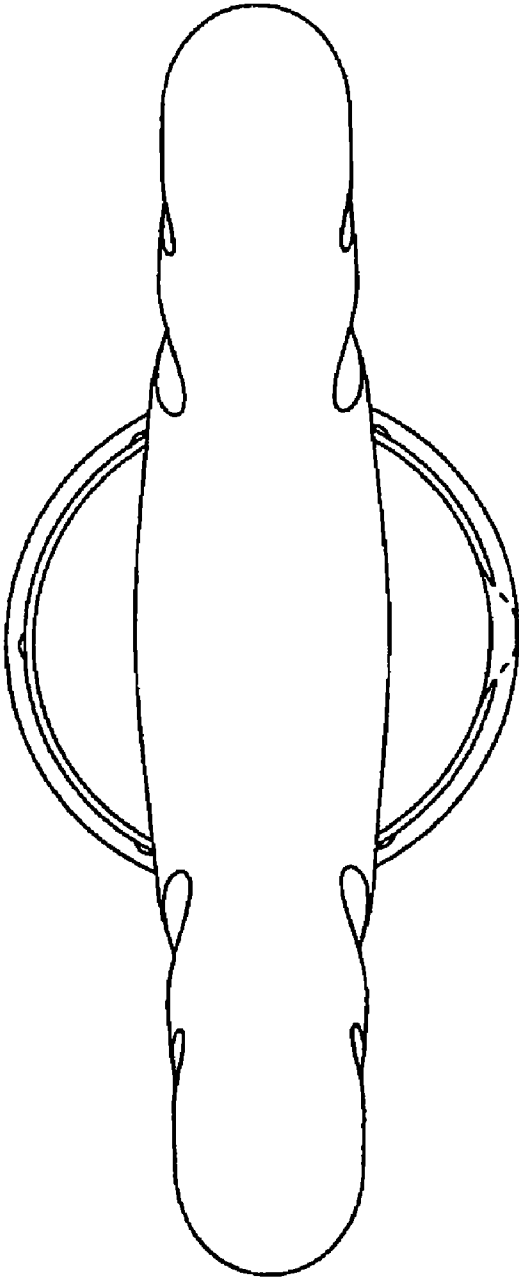


FIG. 3



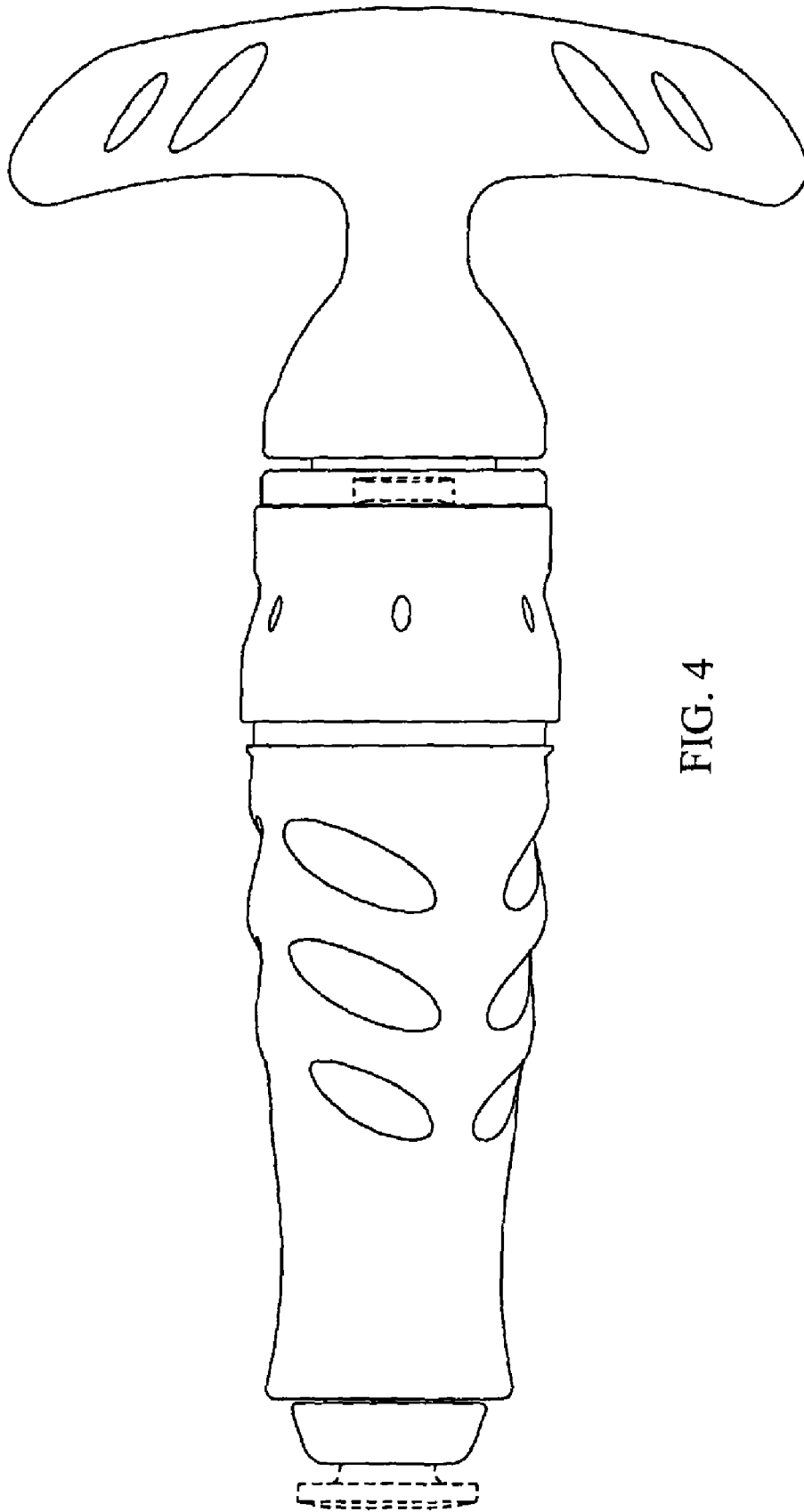


FIG. 4

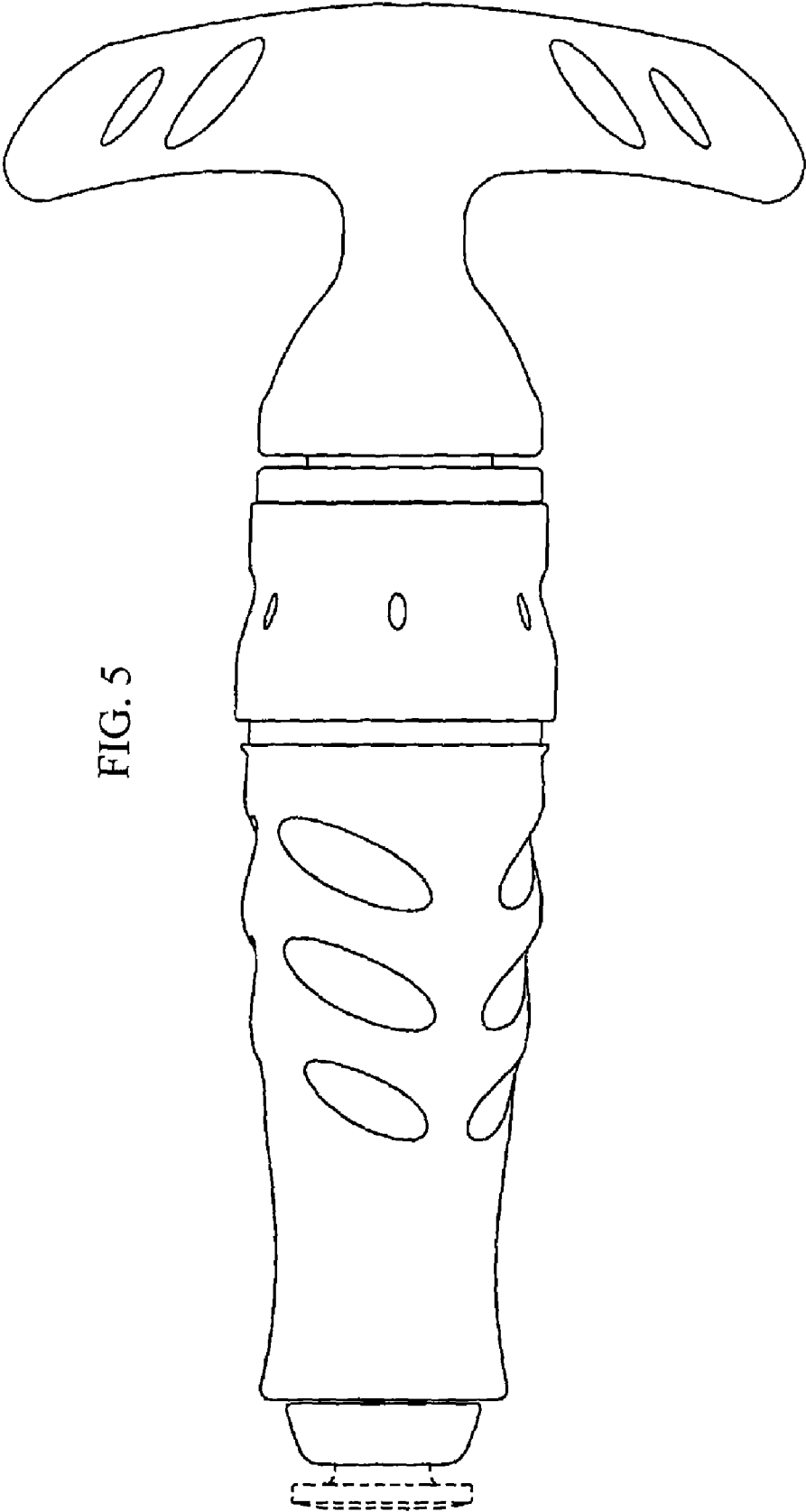


FIG. 5

FIG. 6

