



US00D387963S

United States Patent [19]

Clark

[11] Patent Number: Des. 387,963

[45] Date of Patent: **Dec. 23, 1997

[54] NAIL CAP ATTACHMENT FOR NAIL GUN

[76] Inventor: Stephen Clark, P.O. Box 691, Catlin, Ill. 61817

[**] Term: 14 Years

[21] Appl. No.: 54,256

[22] Filed: May 10, 1996

[51] LOC (6) Cl. 08-01

[52] U.S. Cl. D8/70

[58] Field of Search D8/70; 227/99-103, 227/7, 8, 10, 32, 37, 113, 115

[56] References Cited

U.S. PATENT DOCUMENTS

4,424,929 1/1984 Weis 227/32
5,579,975 12/1996 Moorman 227/32 X

Primary Examiner—Antoine Duval Davis
Attorney, Agent, or Firm—Harold H. Dutton, Jr.

[57] CLAIM

The ornamental design for a nail cap attachment for nail gun, as shown.

DESCRIPTION

FIG. 1 is a perspective view of a nail cap attachment for nail gun showing my new design;

FIG. 2 is a perspective view without the cover portion thereof;

FIG. 3 is a right side view thereof;

FIG. 4 is a left side view thereof;

FIG. 5 is a front view thereof;

FIG. 6 is a rear view thereof;

FIG. 7 is a top view thereof; and,

FIG. 8 is a bottom view thereof.

1 Claim, 5 Drawing Sheets

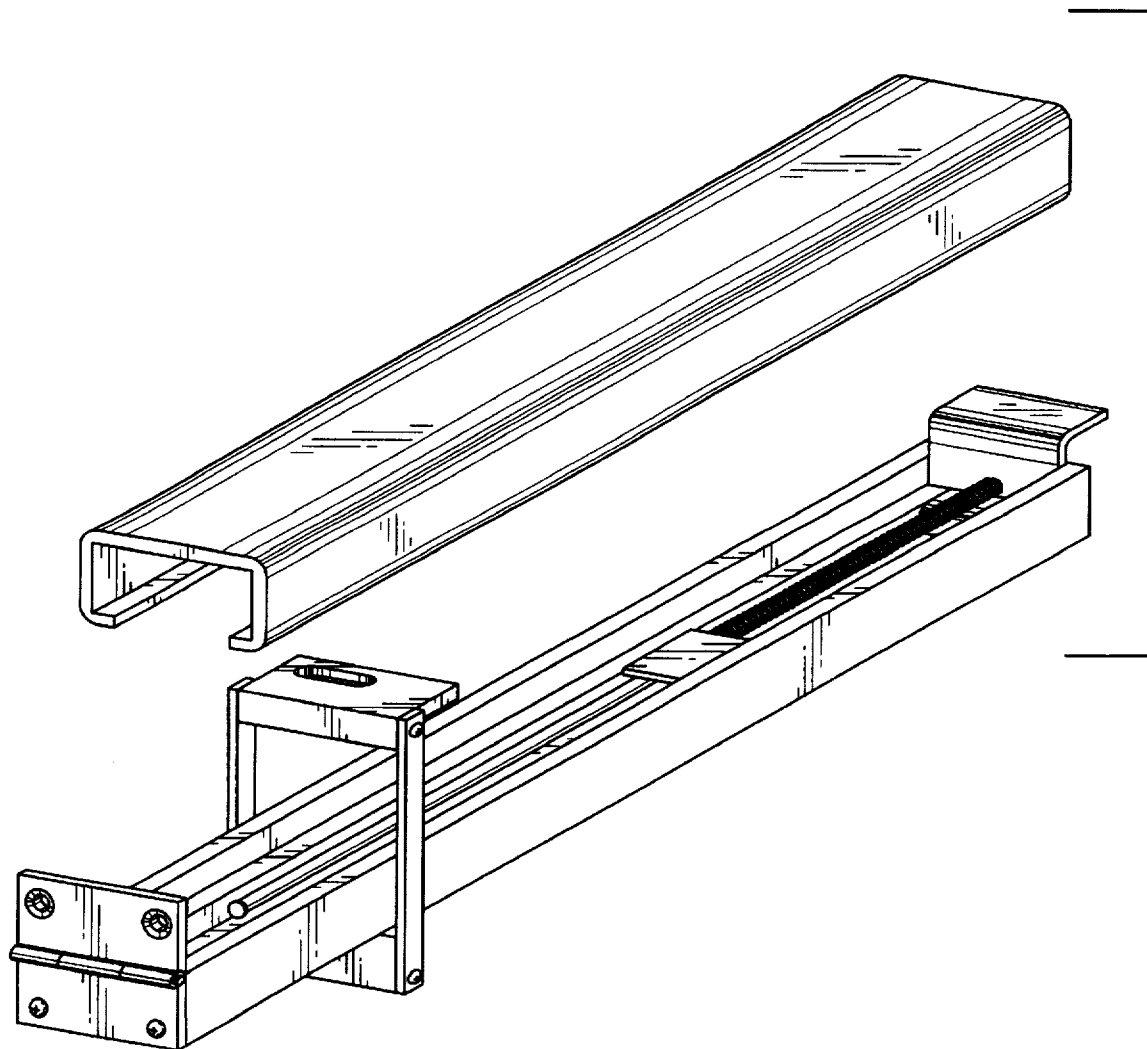
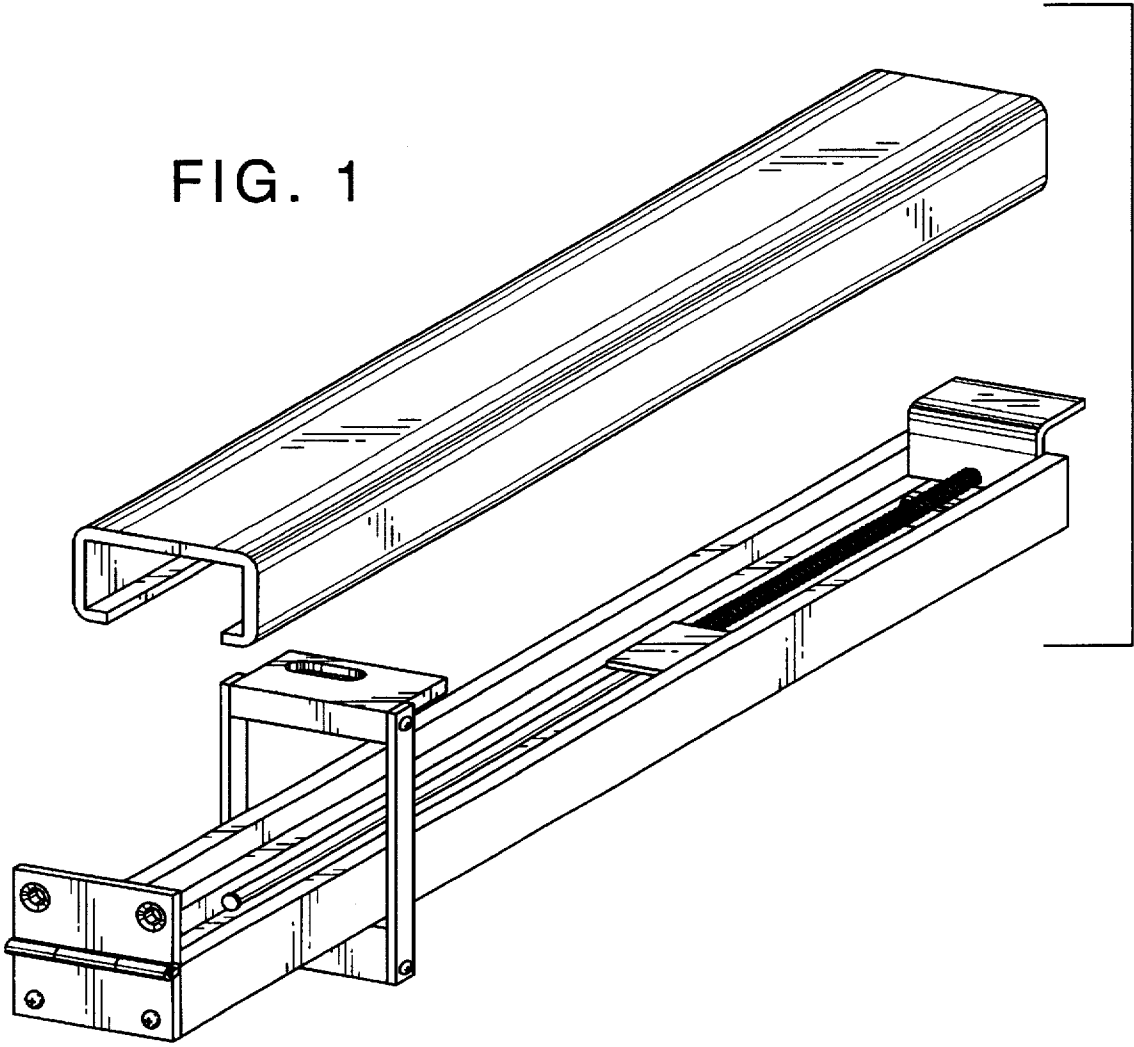


FIG. 1



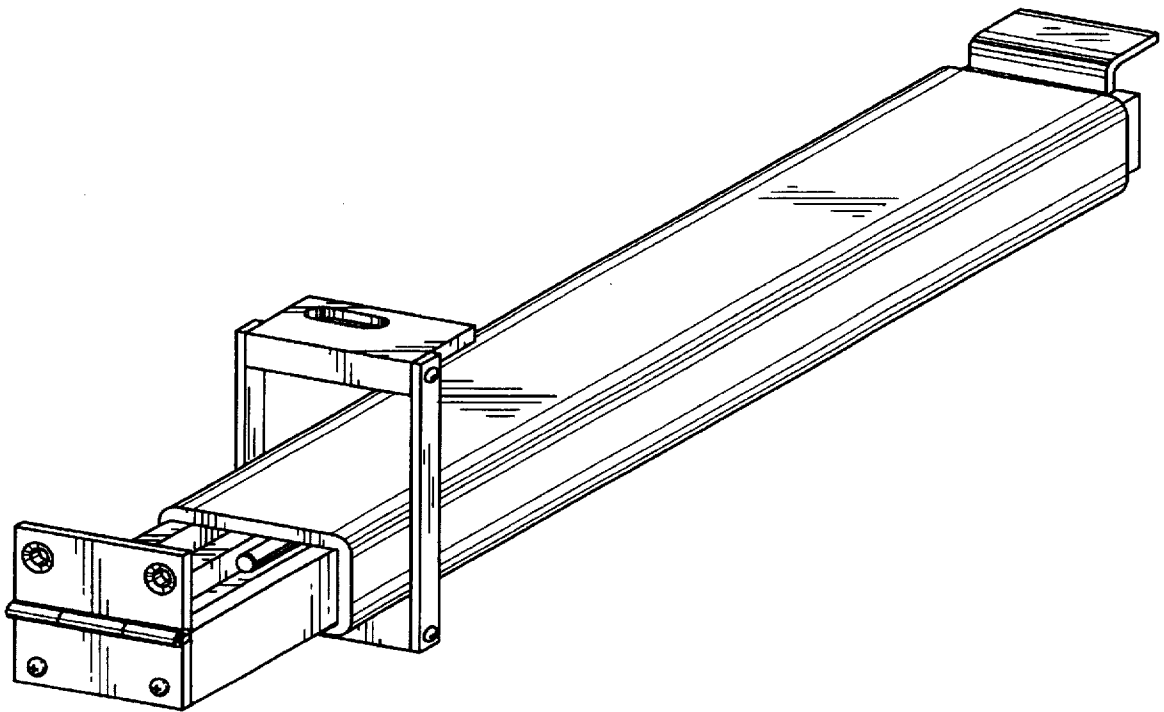


FIG. 2

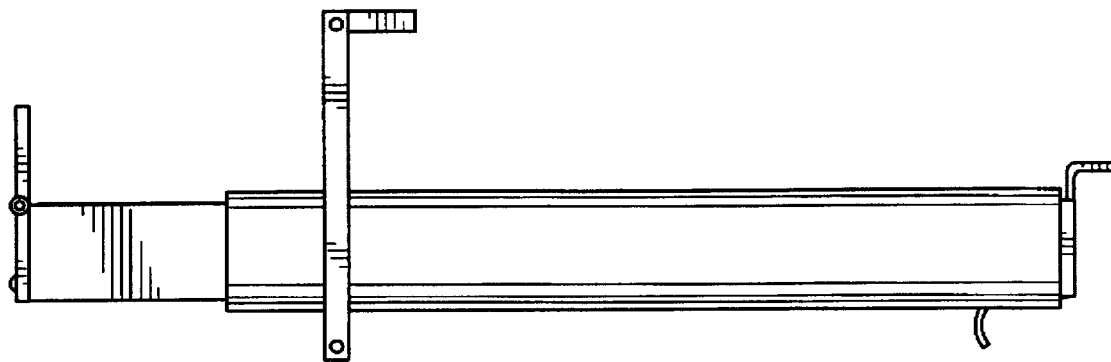


FIG. 3

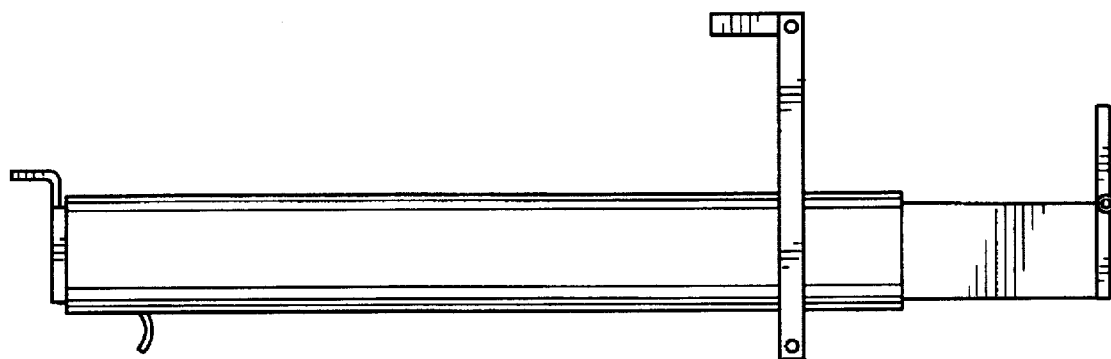


FIG. 4

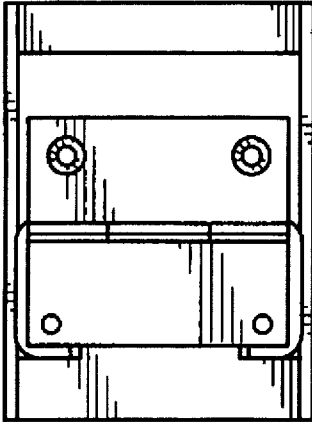
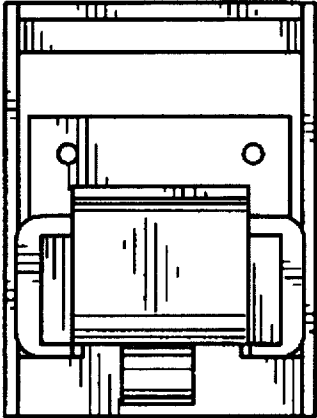


FIG. 5

FIG. 6



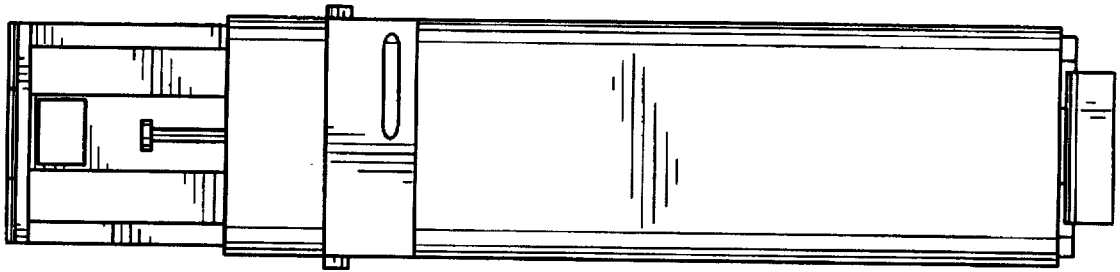


FIG. 7

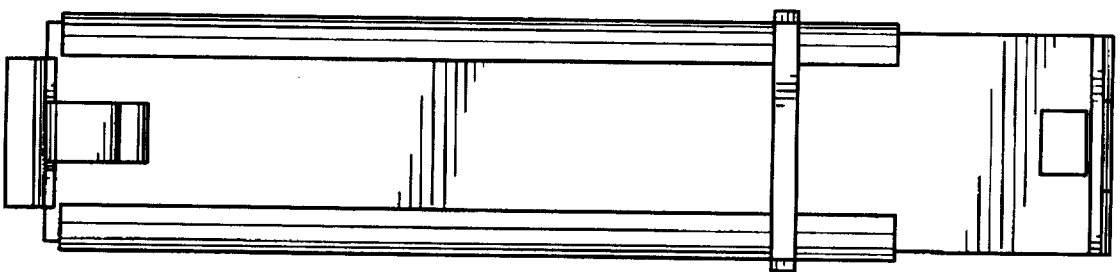


FIG. 8