



US00D656138S

(12) **United States Design Patent**  
**Wylie**

(10) **Patent No.:** **US D656,138 S**

(45) **Date of Patent:** **\*\* Mar. 20, 2012**

(54) **MOUNTING SYSTEM FOR USE WITH AUDIO/VISUAL DEVICES OR THE LIKE**

(75) Inventor: **Grant Wylie**, Plainfield, IL (US)

(73) Assignee: **Peerless Industries, Inc.**, Aurora, IL (US)

(\*\*) Term: **14 Years**

(21) Appl. No.: **29/393,796**

(22) Filed: **Jun. 9, 2011**

(51) **LOC (9) Cl.** ..... **14-02**

(52) **U.S. Cl.** ..... **D14/452**

(58) **Field of Classification Search** ..... D14/452,  
D14/451, 448, 447, 239; D8/349, 363, 373,  
D8/380; 248/917-924, 122.1, 124.1, 125.8,  
248/371, 393, 157, 425, 176.1, 186.1; 361/679.02,  
361/679.04, 679.05, 679.06, 679.07, 679.21,  
361/679.22

See application file for complete search history.

(56) **References Cited**

**U.S. PATENT DOCUMENTS**

D477,325 S *	7/2003	Theis et al.	.....	D14/451
D477,606 S *	7/2003	Theis et al.	.....	D14/451
D522,009 S *	5/2006	Chen	.....	D14/452
D543,211 S *	5/2007	Petrack et al.	.....	D14/452
D558,192 S *	12/2007	Daly et al.	.....	D14/251
D577,730 S *	9/2008	Rutten	.....	D14/452
D588,118 S *	3/2009	Townsend et al.	.....	D14/239
D593,104 S *	5/2009	Gillespie	.....	D14/451

D603,386 S *	11/2009	Le	.....	D14/239
D632,301 S *	2/2011	Kasuga et al.	.....	D14/452
D635,143 S *	3/2011	Derry et al.	.....	D14/451
D644,648 S *	9/2011	Anderson et al.	.....	D14/452
D646,553 S *	10/2011	Peng et al.	.....	D8/349

**OTHER PUBLICATIONS**

“Titan Ultra Slim Wall Mounts,” Vivanco, [http://www.vivanco.di/cgi-bin/vivanco/en\\_US/teaserInfo7.html](http://www.vivanco.di/cgi-bin/vivanco/en_US/teaserInfo7.html), Jun. 15, 2011.

\* cited by examiner

*Primary Examiner* — Angela J Lee

(74) *Attorney, Agent, or Firm* — Foley & Lardner LLP

(57) **CLAIM**

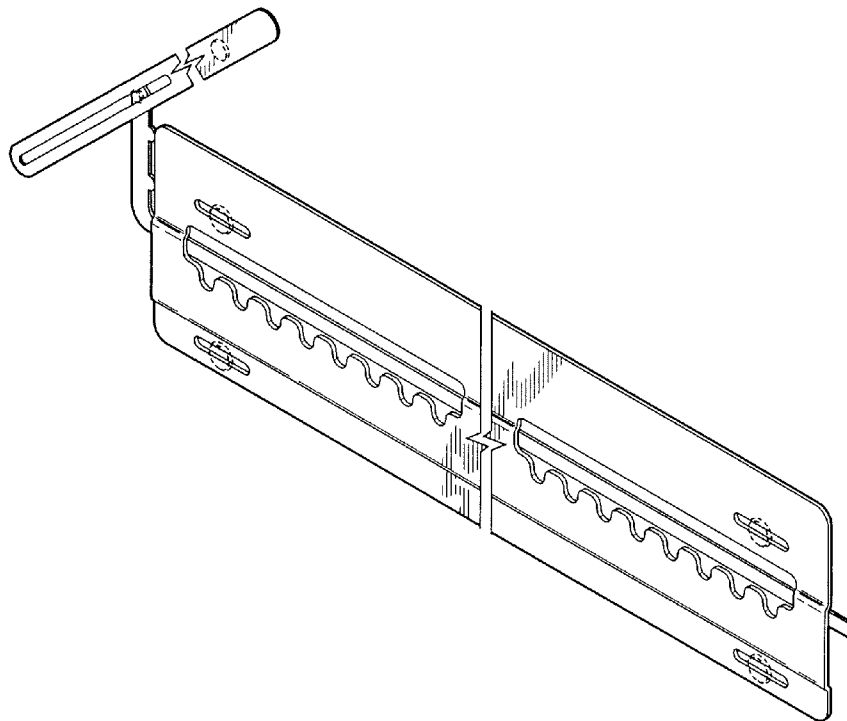
I claim the ornamental design for a mounting system for use with audio/visual devices or the like, as shown and described.

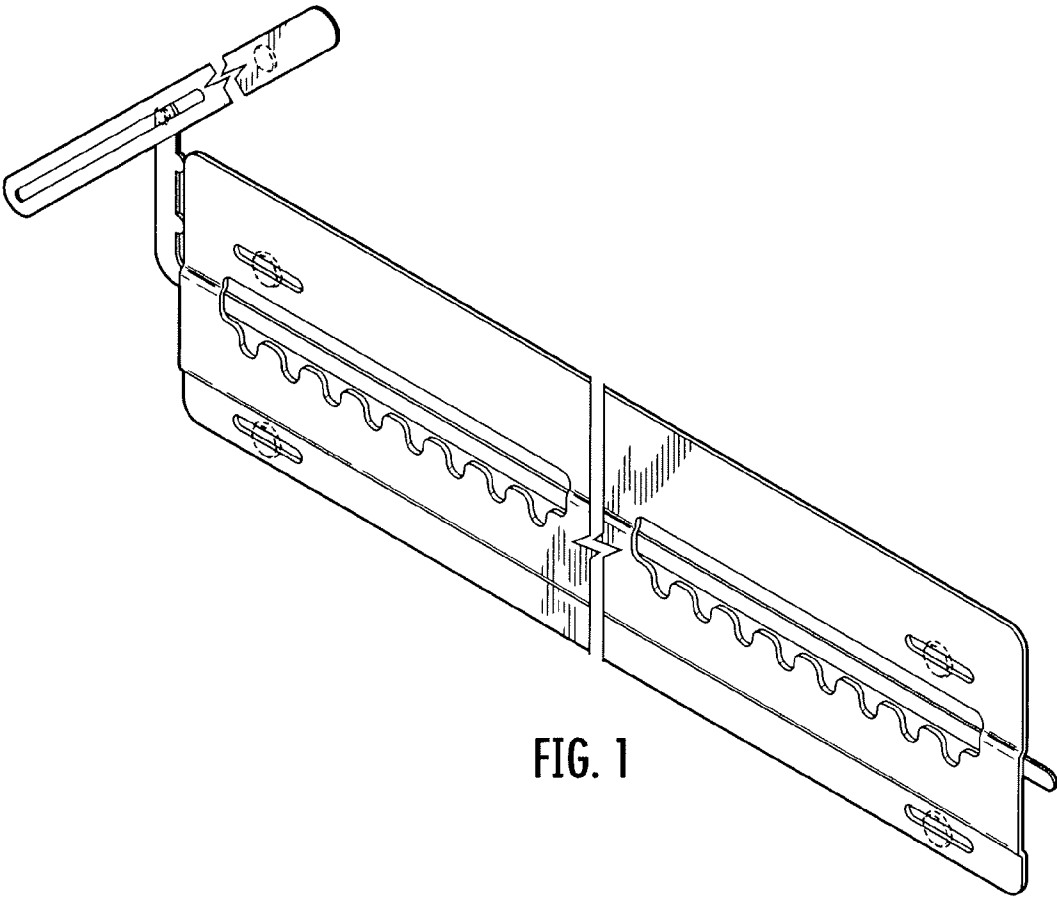
**DESCRIPTION**

FIG. 1 is a top perspective view of a mounting system for use with audio/visual devices or the like showing my new design, FIG. 2 is a right side elevational view thereof; FIG. 3 is a left side elevational view thereof; FIG. 4 is a top plan view thereof; FIG. 5 is a bottom plan view thereof; FIG. 6 is a front elevational view thereof; and, FIG. 7 is a rear elevational view thereof.

The ornamental design which is claimed is shown in solid lines in the drawings. The mounting system for use with audio/visual devices or the like is shown broken away to indicate that no particular length is being claimed.

**1 Claim, 7 Drawing Sheets**





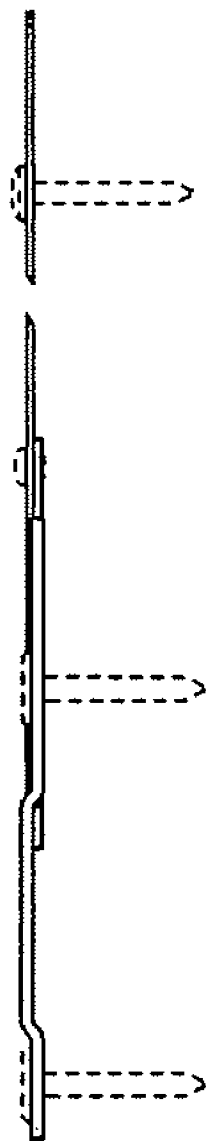


FIG. 2

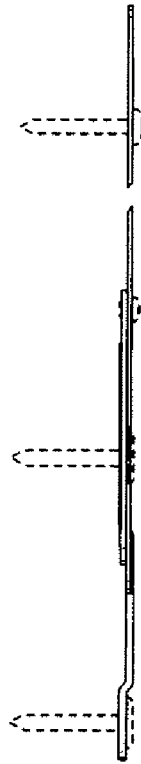


FIG. 3



FIG. 4



FIG. 5

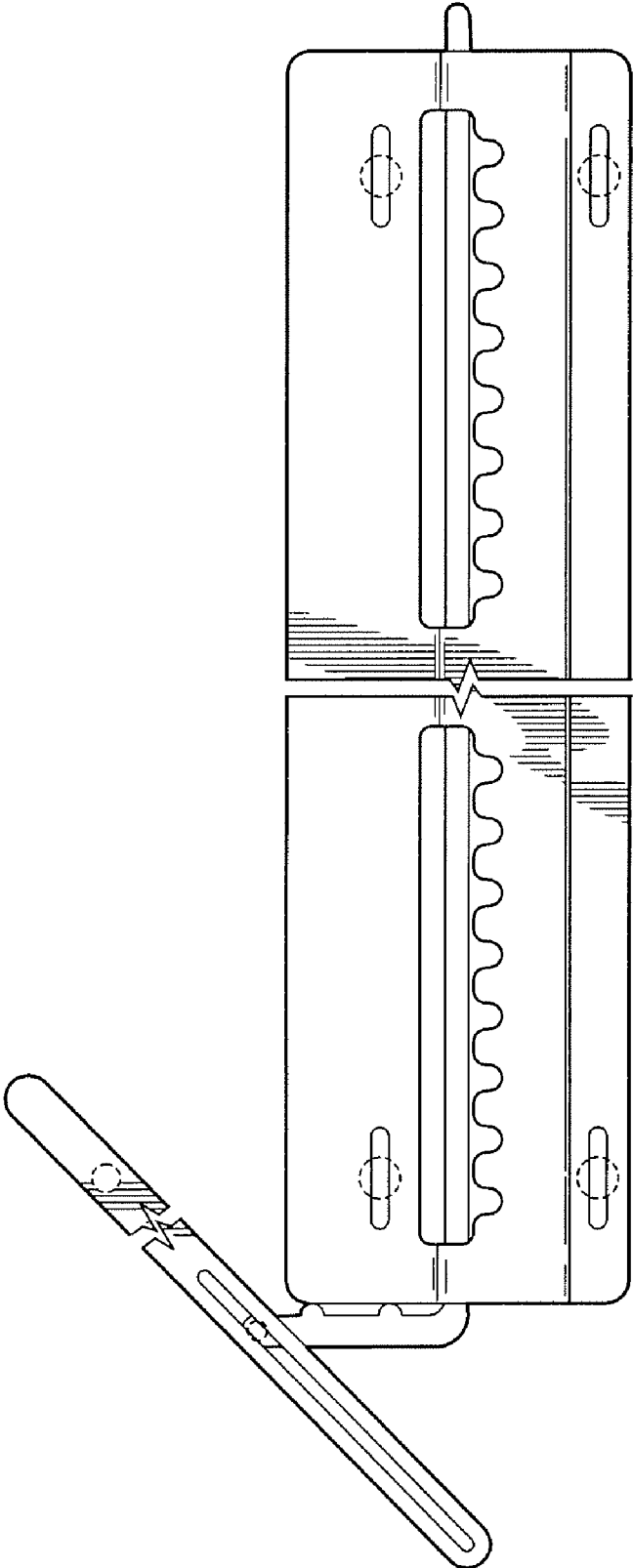


FIG. 6

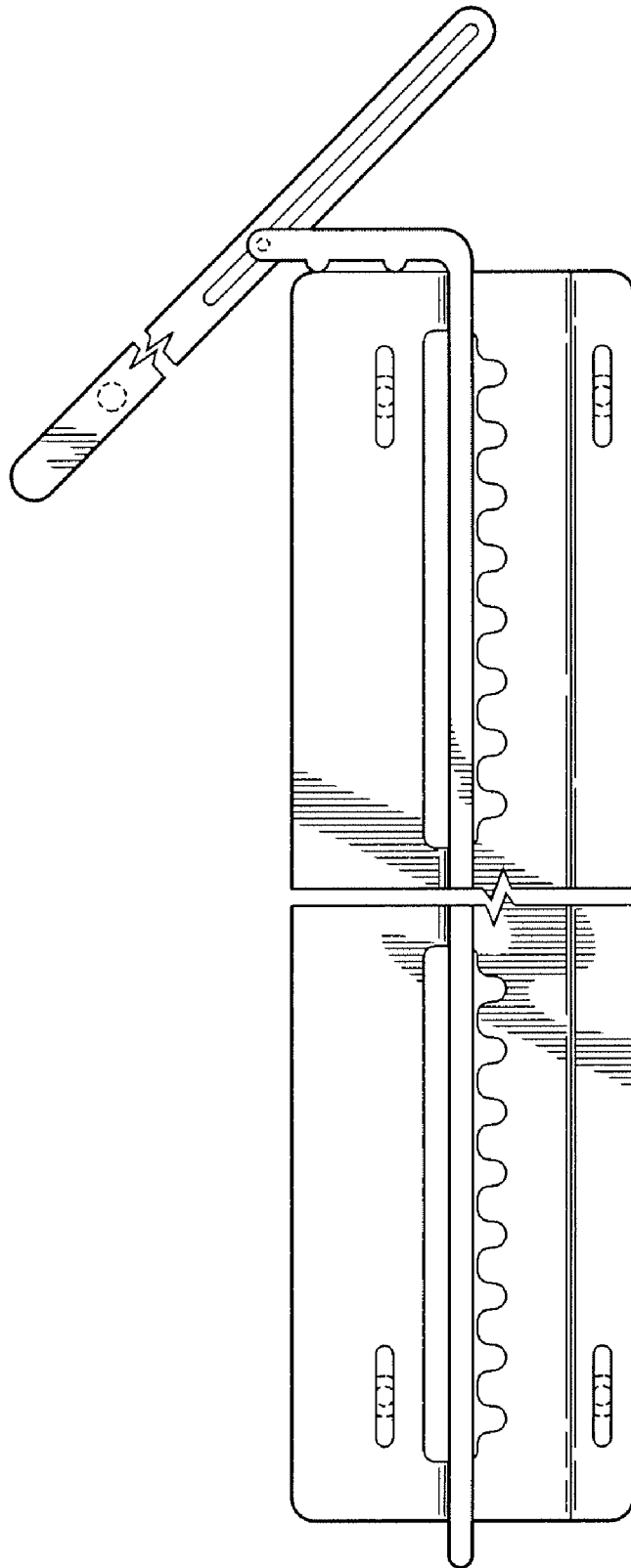


FIG. 7