

(19) World Intellectual Property Organization  
International Bureau



(43) International Publication Date  
25 June 2009 (25.06.2009)

PCT

(10) International Publication Number  
**WO 2009/078954 A3**

(51) International Patent Classification:  
*B63B 1/22* (2006.01)

(21) International Application Number:  
PCT/US2008/013669

(22) International Filing Date:  
12 December 2008 (12.12.2008)

(25) Filing Language: English

(26) Publication Language: English

(30) Priority Data:  
61/013,482 13 December 2007 (13.12.2007) US  
12/332,973 11 December 2008 (11.12.2008) US

(71) Applicant (for all designated States except US): **MA-  
RINE ADVANCED RESEARCH, INC.** [US/US]; 1318  
Brewster Drive, El Cerrito, CA 94530 (US).

(72) Inventor; and

(75) Inventor/Applicant (for US only): **GUNDERSEN, Mark**  
[US/US]; 1615 Beau Ridge, San Pablo, CA 94806 (US).

(74) Agents: **AMINI, Farzad** et al.; Blakely, Sokoloff, Taylor  
& Zafman Llp, 1279 Oakmead Parkway, Sunnyvale, CA  
94085-4040 (US).

(81) Designated States (unless otherwise indicated, for every  
kind of national protection available): AE, AG, AL, AM,  
AO, AT, AU, AZ, BA, BB, BG, BH, BR, BW, BY, BZ,

CA, CH, CN, CO, CR, CU, CZ, DE, DK, DM, DO, DZ,  
EC, EE, EG, ES, FI, GB, GD, GE, GH, GM, GT, HN,  
HR, HU, ID, IL, IN, IS, JP, KE, KG, KM, KN, KP, KR,  
KZ, LA, LC, LK, LR, LS, LT, LU, LY, MA, MD, ME,  
MG, MK, MN, MW, MX, MY, MZ, NA, NG, NI, NO,  
NZ, OM, PG, PH, PL, PT, RO, RS, RU, SC, SD, SE, SG,  
SK, SL, SM, ST, SV, SY, TJ, TM, TN, TR, TT, TZ, UA,  
UG, US, UZ, VC, VN, ZA, ZM, ZW.

(84) Designated States (unless otherwise indicated, for every  
kind of regional protection available): ARIPO (BW, GH,  
GM, KE, LS, MW, MZ, NA, SD, SL, SZ, TZ, UG, ZM,  
ZW), Eurasian (AM, AZ, BY, KG, KZ, MD, RU, TJ,  
TM), European (AT, BE, BG, CH, CY, CZ, DE, DK, EE,  
ES, FI, FR, GB, GR, HR, HU, IE, IS, IT, LT, LU, LV,  
MC, MT, NL, NO, PL, PT, RO, SE, SI, SK, TR), OAPI  
(BF, BJ, CF, CG, CI, CM, GA, GN, GQ, GW, ML, MR,  
NE, SN, TD, TG).

Published:

- with international search report (Art. 21(3))
- before the expiration of the time limit for amending the  
claims and to be republished in the event of receipt of  
amendments (Rule 48.2(h))

(88) Date of publication of the international search report:  
10 June 2010

(54) Title: VARIABLE PLANING INFLATABLE HULL SYSTEM

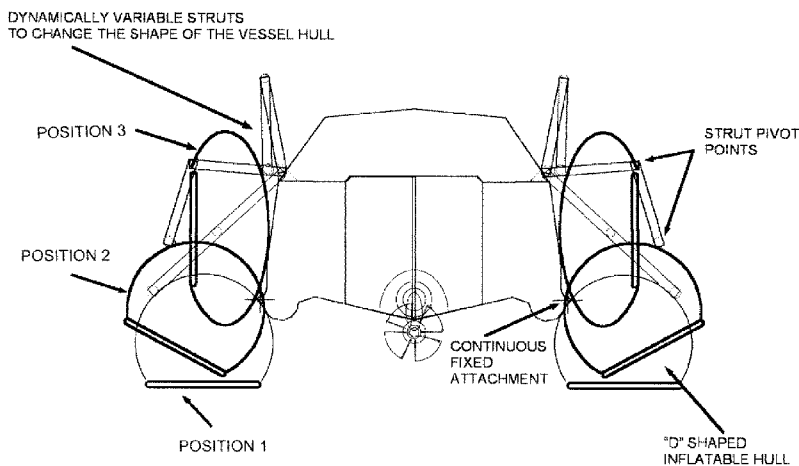


FIGURE 1: EXAMPLE OF A VESSEL WITH  
VARIABLE PLANING INFLATABLE HULL SYSTEM

(57) Abstract: Variable planing inflatable hull system having a planing surface on inflatable hulls at the side and disposable central hull. The central hull is typically a rigid hull, with the inflatable hulls providing low wetted area planing surfaces for speed, shock absorbing and efficiency of the vessels. Various embodiments are disclosed.



WO 2009/078954 A3

# INTERNATIONAL SEARCH REPORT

International application No PCT/US2008/013669
---

<b>A. CLASSIFICATION OF SUBJECT MATTER</b> INV. B63B1/22 ADD.				
According to International Patent Classification (IPC) or to both national classification and IPC				
<b>B. FIELDS SEARCHED</b>				
Minimum documentation searched (classification system followed by classification symbols) B63B				
Documentation searched other than minimum documentation to the extent that such documents are included in the fields searched				
Electronic data base consulted during the international search (name of data base and, where practical, search terms used) EPO-Internal				
<b>C. DOCUMENTS CONSIDERED TO BE RELEVANT</b>				
Category*	Citation of document, with indication, where appropriate, of the relevant passages	Relevant to claim No.		
X	EP 1 619 114 A2 (DIPARTIMENTO DI INGEGNERIA MEC [IT]; CARBONI LUCA [IT]) 25 January 2006 (2006-01-25) abstract paragraphs [0001], [0005], [0007], [0012] figure 10	1-4, 10-12		
X	DE 814 847 C (RUCH FRANK DIPL-ING) 27 September 1951 (1951-09-27) the whole document ----- -/--	1-4, 10-12		
<table style="width: 100%; border: none;"> <tr> <td style="width: 50%; border: none;"><input checked="" type="checkbox"/> Further documents are listed in the continuation of Box C.</td> <td style="width: 50%; border: none;"><input checked="" type="checkbox"/> See patent family annex.</td> </tr> </table>			<input checked="" type="checkbox"/> Further documents are listed in the continuation of Box C.	<input checked="" type="checkbox"/> See patent family annex.
<input checked="" type="checkbox"/> Further documents are listed in the continuation of Box C.	<input checked="" type="checkbox"/> See patent family annex.			
* Special categories of cited documents :				
"A" document defining the general state of the art which is not considered to be of particular relevance "E" earlier document but published on or after the international filing date "L" document which may throw doubts on priority claim(s) or which is cited to establish the publication date of another citation or other special reason (as specified) "O" document referring to an oral disclosure, use, exhibition or other means "P" document published prior to the international filing date but later than the priority date claimed	"T" later document published after the international filing date or priority date and not in conflict with the application but cited to understand the principle or theory underlying the invention "X" document of particular relevance; the claimed invention cannot be considered novel or cannot be considered to involve an inventive step when the document is taken alone "Y" document of particular relevance; the claimed invention cannot be considered to involve an inventive step when the document is combined with one or more other such documents, such combination being obvious to a person skilled in the art. "&" document member of the same patent family			
Date of the actual completion of the international search	Date of mailing of the international search report			
16 April 2010	27/04/2010			
Name and mailing address of the ISA/ European Patent Office, P.B. 5818 Patentlaan 2 NL - 2280 HV Rijswijk Tel. (+31-70) 340-2040, Fax: (+31-70) 340-3016	Authorized officer  Weber, Ingo			

## INTERNATIONAL SEARCH REPORT

 International application No  
 PCT/US2008/013669

C(Continuation). DOCUMENTS CONSIDERED TO BE RELEVANT		
Category*	Citation of document, with indication, where appropriate, of the relevant passages	Relevant to claim No.
X	DE 28 05 647 A1 (MUELLER ECKHARDT [DE]) 27 September 1979 (1979-09-27)	1,4-6,8, 10
Y	page 9, lines 17-18 page 10, lines 14-20 page 10, line 38 - page 11, line 7 page 13, lines 9-16 page 14, lines 27-30 claim 4 figures 3,4,6-9	17
X	GB 2 135 940 A (HENNEBUTTE GEORGES B L) 12 September 1984 (1984-09-12)	1,4,5, 7-10
Y	abstract figures 19-22,25,26	17
X	US 4 545 319 A (FERRONNIERE MICHEL [FR] ET AL) 8 October 1985 (1985-10-08)	1,4
	abstract column 4, lines 44-51 figure 2	
X	DE 12 54 986 B (FERDINAND BUERGMANN) 23 November 1967 (1967-11-23)	1,4
	column 1, lines 24-28,42-43	
Y	FR 2 617 796 A1 (CHENUS GERARD [FR]) 13 January 1989 (1989-01-13)	1-8, 10-16
	abstract figure 3	
Y	US 2006/249066 A1 (CONTI UGO [US]) 9 November 2006 (2006-11-09)	1-8, 10-16
	abstract paragraphs [0022], [0029] figures 3-9	
A	DE 863 604 C (VOITH GMBH J M) 19 January 1953 (1953-01-19)	2,3,11
	figures 5,6	
A	US 5 228 404 A (GIBBS LOUIS L [US]) 20 July 1993 (1993-07-20)	1-3,11
	abstract figures 1A,1B,2A,2B	

# INTERNATIONAL SEARCH REPORT

Information on patent family members

International application No <b>PCT/US2008/013669</b>
--

Patent document cited in search report	Publication date	Publication date	Patent family member(s)	Publication date
EP 1619114	A2	25-01-2006	NONE	
DE 814847	C	27-09-1951	NONE	
DE 2805647	A1	27-09-1979	AR BR	215927 A1 7802385 A
				15-11-1979 27-11-1979
GB 2135940	A	12-09-1984	NONE	
US 4545319	A	08-10-1985	NONE	
DE 1254986	B	23-11-1967	NONE	
FR 2617796	A1	13-01-1989	NONE	
US 2006249066	A1	09-11-2006	NONE	
DE 863604	C	19-01-1953	NONE	
US 5228404	A	20-07-1993	WO	9402349 A1
				03-02-1994