



INTERNATIONAL APPLICATION PUBLISHED UNDER THE PATENT COOPERATION TREATY (PCT)

<p>(51) International Patent Classification⁶ : B01L 3/02, G01N 1/18</p>	<p>A1</p>	<p>(11) International Publication Number: WO 00/25924</p> <p>(43) International Publication Date: 11 May 2000 (11.05.00)</p>									
<p>(21) International Application Number: PCT/US99/25917</p> <p>(22) International Filing Date: 4 November 1999 (04.11.99)</p> <p>(30) Priority Data:</p> <table border="0"> <tr> <td>60/107,021</td> <td>4 November 1998 (04.11.98)</td> <td>US</td> </tr> <tr> <td>60/112,621</td> <td>17 December 1998 (17.12.98)</td> <td>US</td> </tr> <tr> <td>09/433,155</td> <td>3 November 1999 (03.11.99)</td> <td>US</td> </tr> </table> <p>(71) Applicant: SARNOFF CORPORATION [US/US]; 201 Washington Road, CN5300, Princeton, NJ 08543 (US).</p> <p>(72) Inventors: LOEWY, Zvi, G.; 4-50 Lyncrest Avenue, Fair Lawn, NJ 07410 (US). GREGORY, Christopher, C.; 1321 Wrightstown Road, Newtown, PA 19067 (US). ANDREWSKI, Zygmunt, M.; 151 Snowden Lane, Princeton, NJ 08540 (US).</p> <p>(74) Agents: BURKE, William, J. et al.; Sarnoff Corporation, 201 Washington Road, CN5300, Princeton, NJ 08543 (US).</p>		60/107,021	4 November 1998 (04.11.98)	US	60/112,621	17 December 1998 (17.12.98)	US	09/433,155	3 November 1999 (03.11.99)	US	<p>(81) Designated States: IN, JP, European patent (AT, BE, CH, CY, DE, DK, ES, FI, FR, GB, GR, IE, IT, LU, MC, NL, PT, SE).</p> <p>Published <i>With international search report.</i></p>
60/107,021	4 November 1998 (04.11.98)	US									
60/112,621	17 December 1998 (17.12.98)	US									
09/433,155	3 November 1999 (03.11.99)	US									
<p>(54) Title: AUTOMATED SAMPLE PROCESSOR</p>											
<p>(57) Abstract</p> <p>Provided is a liquid handling device (100) comprising: a cylindrical actuator cavity (120) in a substrate (101), the actuator cavity (120) intersected by two or more actuator channels (122); one or more chambers (110) with an access channel (112) adapted to connect to a separate one of actuator channels (122); and an actuator (150) comprising a cylindrical body having a cylinder axis and having therein a liquid-handling compartment (160) arrayed along the cylinder axis, a first end and a second end, the liquid-handling compartment (160) being closed at the second end, a dispensing channel (151) located at the second end and traversing the cylindrical body, the dispensing channel (151) adapted to be separately aligned with the actuator channels, wherein the actuator (150) is adapted to receive in a seal-tight manner a plunger (170) that operates to confine an effective chamber defined by the plunger (170) and the second end by moving toward the second end or to expand the effective chamber by moving toward the first end. Preferably, one or more of the chambers are formed within the substrate (101).</p>											

FOR THE PURPOSES OF INFORMATION ONLY

Codes used to identify States party to the PCT on the front pages of pamphlets publishing international applications under the PCT.

AL	Albania	ES	Spain	LS	Lesotho	SI	Slovenia
AM	Armenia	FI	Finland	LT	Lithuania	SK	Slovakia
AT	Austria	FR	France	LU	Luxembourg	SN	Senegal
AU	Australia	GA	Gabon	LV	Latvia	SZ	Swaziland
AZ	Azerbaijan	GB	United Kingdom	MC	Monaco	TD	Chad
BA	Bosnia and Herzegovina	GE	Georgia	MD	Republic of Moldova	TG	Togo
BB	Barbados	GH	Ghana	MG	Madagascar	TJ	Tajikistan
BE	Belgium	GN	Guinea	MK	The former Yugoslav Republic of Macedonia	TM	Turkmenistan
BF	Burkina Faso	GR	Greece			TR	Turkey
BG	Bulgaria	HU	Hungary	ML	Mali	TT	Trinidad and Tobago
BJ	Benin	IE	Ireland	MN	Mongolia	UA	Ukraine
BR	Brazil	IL	Israel	MR	Mauritania	UG	Uganda
BY	Belarus	IS	Iceland	MW	Malawi	US	United States of America
CA	Canada	IT	Italy	MX	Mexico	UZ	Uzbekistan
CF	Central African Republic	JP	Japan	NE	Niger	VN	Viet Nam
CG	Congo	KE	Kenya	NL	Netherlands	YU	Yugoslavia
CH	Switzerland	KG	Kyrgyzstan	NO	Norway	ZW	Zimbabwe
CI	Côte d'Ivoire	KP	Democratic People's Republic of Korea	NZ	New Zealand		
CM	Cameroon	KR	Republic of Korea	PL	Poland		
CN	China	KZ	Kazakstan	PT	Portugal		
CU	Cuba	LC	Saint Lucia	RO	Romania		
CZ	Czech Republic	LI	Liechtenstein	RU	Russian Federation		
DE	Germany	LK	Sri Lanka	SD	Sudan		
DK	Denmark	LR	Liberia	SE	Sweden		
EE	Estonia			SG	Singapore		

Automated Sample Processor

This invention was at least partially supported by the Government Contract No. 70NANB5H1037. The government may have certain rights in this invention.

5 This application claims the priority of Loewy et al., "Automated System for Sample Processing and Cellular Concentration," Serial No. 60/112,621, filed December 17, 1998 (SAR 12824) and Gregory, "Syringe Pump Sample Prep System," Serial No. 60/107,021, filed November 4, 1998 (SAR 12556).

10 The present invention relates to a device for manipulating fluids and conducting reactions, and methods using such device.

The invention described provides disposable tools for conducting a number of processes important to biotechnology-based assays, such as cell capture and concentration, cell lysis and nucleic acid capture, nucleic acid amplification reactions, and the like. The liquid handling devices of the invention can be used to isolate sample material (or control
15 material) in an enclosed, disposable device, helping minimize cross-contamination of other assays or processes.

Summary of the Invention

The invention provides a liquid handling device comprising: a cylindrical
20 actuator cavity in a substrate, the actuator cavity intersected by two or more actuator channels; one or more chambers with an access channel adapted to connect to a separate one of actuator channels; and a actuator comprising (a) a cylindrical body having a cylinder axis and having therein a liquid-handling compartment with, arrayed along the cylinder axis, a first end and a second end, the liquid-handling compartment being closed at the second end,
25 (b) a dispensing channel located at the second end and traversing the cylindrical body, the dispensing channel adapted to be separately aligned with the actuator channels, wherein the actuator is adapted to receive in a seal-tight manner a plunger that operates to confine an effective chamber defined by the plunger and the second end by moving toward the second end or to expand the effective chamber by moving toward the first end. Preferably, one or
30 more of the chambers are formed within the substrate. Preferably, two or more of the chambers are within the substrate, each such chamber having an access channel adapted to connect to a separate one of actuator channels. Preferably, one or more of the chambers are enclosed at one end by a gas-selective permeable membrane so that such chambers can be filled with liquid through its access channel until gas has been removed through the

gas-selective permeable membrane, and liquid can be drawn out of the chamber with the pressure equalized by gas transport through the gas-selective permeable membrane.

The invention also provides a liquid handling array comprising: two or more liquid handling; and one or more first motors for moving the actuator from one alignment of the dispensing with an actuator channel to another or with a closed segment of the actuator cavity. Preferably, there are one or more second motors for moving the plunger to expand or contract the effective chamber.

The invention further provides a method of manipulating liquids comprising: operating the actuator of the liquid handling device to align the dispensing channel with a said actuator channel; operating the plunger to move fluid from a thereby connected chamber into the actuator compartment; operating the actuator to align the dispensing channel with a second said actuator channel; and operating the plunger to move fluid from the actuator compartment to a thereby connected second said chamber.

A method of manipulating liquids comprising: providing magnetically susceptible beads having attached thereto a member of a binding pair in a chamber of the liquid handling device of the invention; introducing a liquid containing a second member of the binding pair to bind the second member to the beads; activating a magnet (e.g., by engaging an electromagnet or drawing a magnet to a location where the field is effective) to draw the beads from the access channel of the chamber; operating the actuator of the liquid handling device to align a dispensing channel with an actuator channel connected to the said access channel; and drawing the liquid out of the chamber through the access channel. The beads can be used to bind and isolate macromolecules or cells (e.g., by cell-surface).

Brief Description of the Drawings

Figures 1A and 1B display a base piece for a cassette that provides the liquid handling device.

Figure 2A through 2D illustrate the actuator.

Figure 3 illustrates an embodiment with a two-part base piece.

Detailed Description of the Invention

The invention is illustrated by the embodiment of the drawings. **Fig. 1A** shows a top view of a liquid handling cassette **100** with four fluid chambers **110A** through **110D** formed in substrate **101**. The fluid chambers **110** have access channels **111**. Actuator cavity **120** interacts with an actuator **150** as will be described below. Slotted dimple **121**, if present, provides one mechanism for controlling the alignment of an actuator **150** with a

corresponding ridge **152**. Actuator channels **122** allow fluid to flow in and out of actuator compartment **160** (**Fig. 2A**). In the illustration, second actuator channel **122B** is adapted to connect, via an intermediate channel provided in an array device into which the cassette can be fitted, to a second access channel **111B** and second fluid chamber **110B**. Actuator **150** can be inserted into the cassette along direction/axis **A** (the "cylinder axis"). Substrate **101** can be formed of any material that can be appropriately formed by molding, cutting, etching, or the like. One preferred material is polycarbonate, such as a Lexan polycarbonate from GE Plastics, Pittsfield, MA.

The fluid chambers are illustrated as of equal size, but it should be recognized that differential sizes can be desirable for use in certain liquid handling operations. For example, one fluid chamber ("reaction chamber") can be the site of the majority of manipulative steps, with the remainder serving as reservoirs for reagents or waste. In such an example, it can be desirable for the reaction chamber to be smaller than the reagent or waste reservoirs.

Actuator **150**, illustrated in **Fig. 2**, has a dispensing channel **151** that can be aligned with an actuator channel **122** or with a portion of surface **123** lacking any channel. End **B** of the actuator is inserted into the cassette along direction **A** until ridge **152** engages slotted dimple **121**. Slots **153** allow the actuator **150** to be engaged by a bar engaged by a motor that can be used to move the actuator rotationally or, in some embodiments, along axis **A**, to make alignments. Opening **154** accepts the plunger **170** that is moved in direction **C** to compress fluid in compartment **160** or in direction **D** to draw fluid into the compartment **160**. The actuator can be formed of any material that can be appropriately formed by molding, cutting, etching, or the like. Preferably, consideration is given in selecting materials for materials that, in conjunction with those of the substrate (e.g., substrate **101**), can form directly or through suitable coatings, effective fluid seals. In one embodiment, the actuator is formed of polypropylene.

Plunger **170** is illustrated in **Fig. 2C**. Plunger **170**, or plunger head **171** is formed of any material that can be appropriately formed by molding, cutting, etching or the like, with the material or a coating thereto preferably selected with consideration of the material's suitability for forming a seal with the sides compartment **160**. Suitable materials for the plunger head include, for example, polypropylene or polystyrene.

Fig. 3 illustrates a second substrate **102** that fits with first substrate **101** to provide connecting channels **112**.

Chamber ends **113** can be enclosed, preferably with a membrane that selectively transports gases over liquids. Such membrane can be deployed in a support matrix. Suitable membranes include, for example, modified acrylic copolymer membranes cast on nonwoven nylon, such as a Versapor R membrane from Gelman Sciences Inc., Ann Arbor, MI. Such gas-selective permeable membranes allow the chambers **113** to be filled with liquid up to the point at which air pockets have been removed by transport across the membrane, or liquid to be drawn out by partial vacuum, for example created by moving the plunger **170** in direction **D**, with air transport across the membrane allowing pressure equalization.

10 The elements of the cassette, including those that interact with external mechanical elements such as motors, are preferably disposable. Thus, for example, all materials contaminated with nucleic acid that could interfere with a subsequent procedure can be discarded.

15 In its simpler implementations, sample material is introduced into the cassette manually. For example, any material enclosing the chamber end of a chamber **110** that is a reaction chamber is removed, the sample introduced, and the material replaced to enclose the chamber **110**. Fluidic connections can be added so that sample is pumped into the chamber through a second access channel. For example, the chamber can contain beads, such as beads available from Dynal (Oslo, Norway), to which are bound antibodies specific for a given cell type are attached. A suspension of the cells can be pumped over the beads, with excess liquid drained via a two-way flow through the actuator compartment (as described below) or through an alternative second substrate that can be reversibly connected and in which the connecting channels are directed to waste. The cell-specific beads act to concentrate the cells.

25 The above-illustrated actuator operates with single connections to chambers, with fluid drawn into the actuator compartment or pumped out at a given connection. Other modifications will be apparent. For example, the actuator can have two dispensing channels with an appropriate angular offset. The angular offset can be selected so that a first dispensing channel always aligns with an actuator channel with the second dispensing channel blocked, while the second dispensing channel can be aligned an actuator channel with the first dispensing channel aligned with a channel to waste. For example, where the actuator channels are offset by 90°, waste channels can be offset in one direction at 30°. First and second dispensing channels can be offset by 30°, so that one alignment is just with the

actuator channel, while another alignment is to both the actuator channel and the waste channel.

The cassette can be used with solid capture supports placed in one or more of the chambers, such as magnetic beads that bind biomolecules. Magnetic beads can be magnetically confined away from the access channels when liquid is being drained, thereby helping assure that the beads do not interfere with the draining process.

Illustrative dimensions in inches are shown in the drawings.

All publications and references, including but not limited to patents and patent applications, cited in this specification are herein incorporated by reference in their entirety as if each individual publication or reference were specifically and individually indicated to be incorporated by reference herein as being fully set forth. Any patent application to which this application claims priority is also incorporated by reference herein in its entirety in the manner described above for publications and references.

While this invention has been described with an emphasis upon preferred embodiments, it will be obvious to those of ordinary skill in the art that variations in the preferred devices and methods may be used and that it is intended that the invention may be practiced otherwise than as specifically described herein. Accordingly, this invention includes all modifications encompassed within the spirit and scope of the invention as defined by the claims that follow.

What is claimed:

1. A liquid handling device comprising:
a cylindrical actuator cavity in a substrate, the actuator cavity intersected by
two or more actuator channels;
5 one or more chambers with an access channel adapted to connect to a separate
one of actuator channels; and
a actuator comprising (a) a cylindrical body having a cylinder axis and having
therein a liquid-handling compartment with, arrayed along the cylinder
axis, a first end and a second end, the liquid-handling compartment
10 being closed at the second end, (b) a dispensing channel located at the
second end and traversing the cylindrical body, the dispensing channel
adapted to be separately aligned with the actuator channels, wherein
the actuator is adapted to receive in a seal-tight manner a plunger that
operates to confine an effective chamber defined by the plunger and
15 the second end by moving toward the second end or to expand the
effective chamber by moving toward the first end.
2. The liquid handling device of claim 1, wherein one or more of the chambers
are formed within the substrate.
20
3. The liquid handling device of claim 1, comprising two or more chambers
within the substrate, each such chamber having an access channel adapted to connect to a
separate one of actuator channels.
- 25 4. The liquid handling device of claim 1, wherein one or more of the chambers
are enclosed at one end by a gas-selective permeable membrane so that such chambers can be
filled with liquid through its access channel until gas has been removed through the
gas-selective permeable membrane, and liquid can be drawn out of the chamber with the
pressure equalized by gas transport through the gas-selective permeable membrane.
30
5. The liquid handling device of claim 1, comprising the plunger.
6. A liquid handling array comprising:
two or more liquid handling devices of claim 1; and

one or more first motors for moving the actuator from one alignment of the dispersing with an actuator channel to another or with a closed segment of the actuator cavity.

- 5 7. The liquid handling array comprising:
two or more liquid handling devices of claim 5;
one or more first motors for moving the actuator from one alignment of the
dispersing with an actuator channel to another or with a closed
segment of the actuator cavity; and
10 one or more second motors for moving the plunger to expand or contract the
effective chamber.
8. A method of manipulating liquids comprising:
operating the actuator of the liquid handling device of claim 5 to align the
15 dispensing channel with a said actuator channel;
operating the plunger to move fluid from a thereby connected chamber into the
actuator compartment;
operating the actuator to align the dispensing channel with a second said
actuator channel; and
20 operating the plunger to move fluid from the actuator compartment to a
thereby connected second said chamber.
9. A method of manipulating liquids comprising:
providing magnetically susceptible beads having attached thereto a member of
25 a binding pair in a chamber of the liquid handling device of claim 5;
introducing a liquid containing a second member of the binding pair to bind
the second member to the beads;
activating a magnet to draw the beads from the access channel of the chamber;
and
30 operating the actuator of the liquid handling device to align a dispensing
channel with an actuator channel connected to the said access channel;
and
drawing the liquid out of the chamber through the access channel.

10. The method of claim 9, wherein the beads are used to bind and isolate macromolecules or cells.

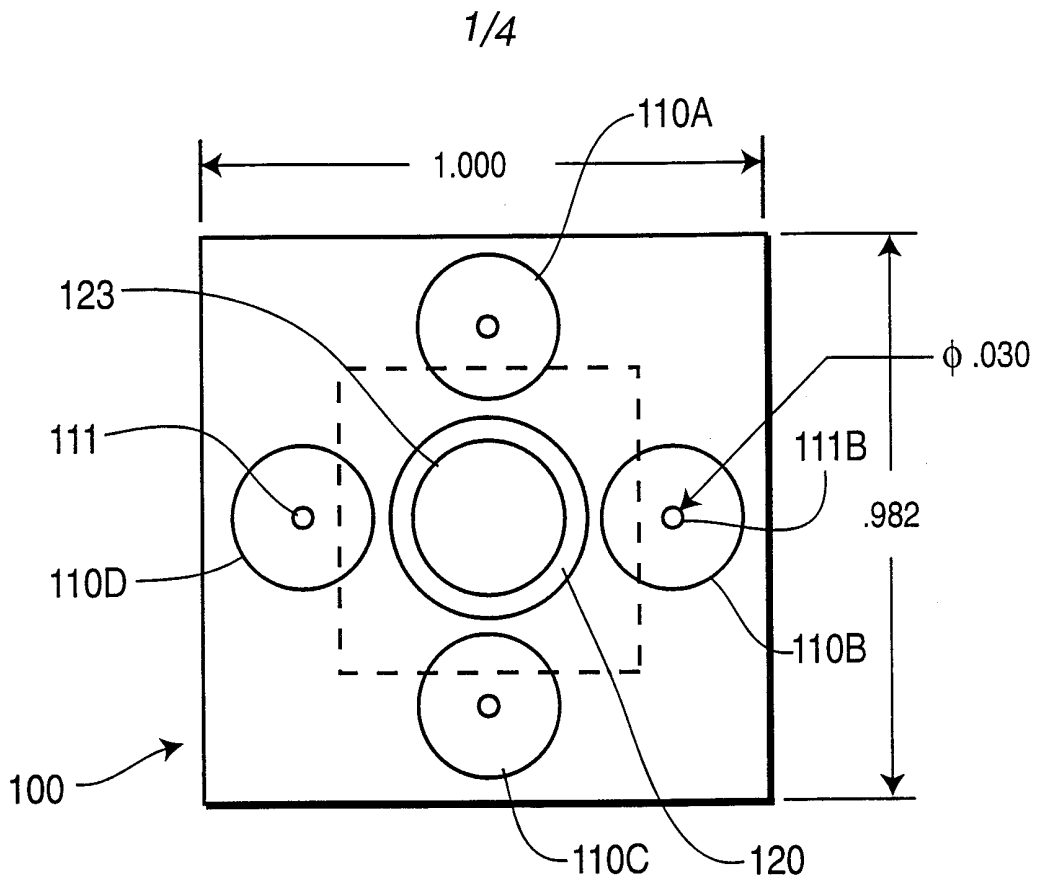


FIG. 1A

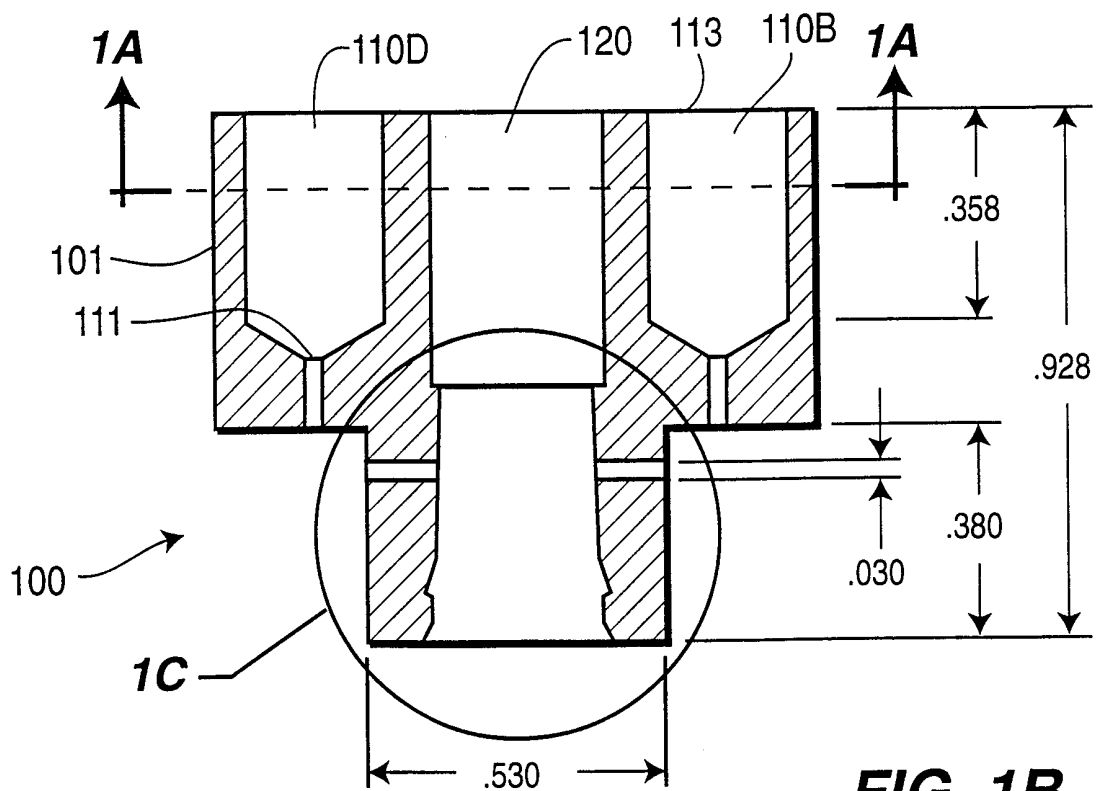


FIG. 1B

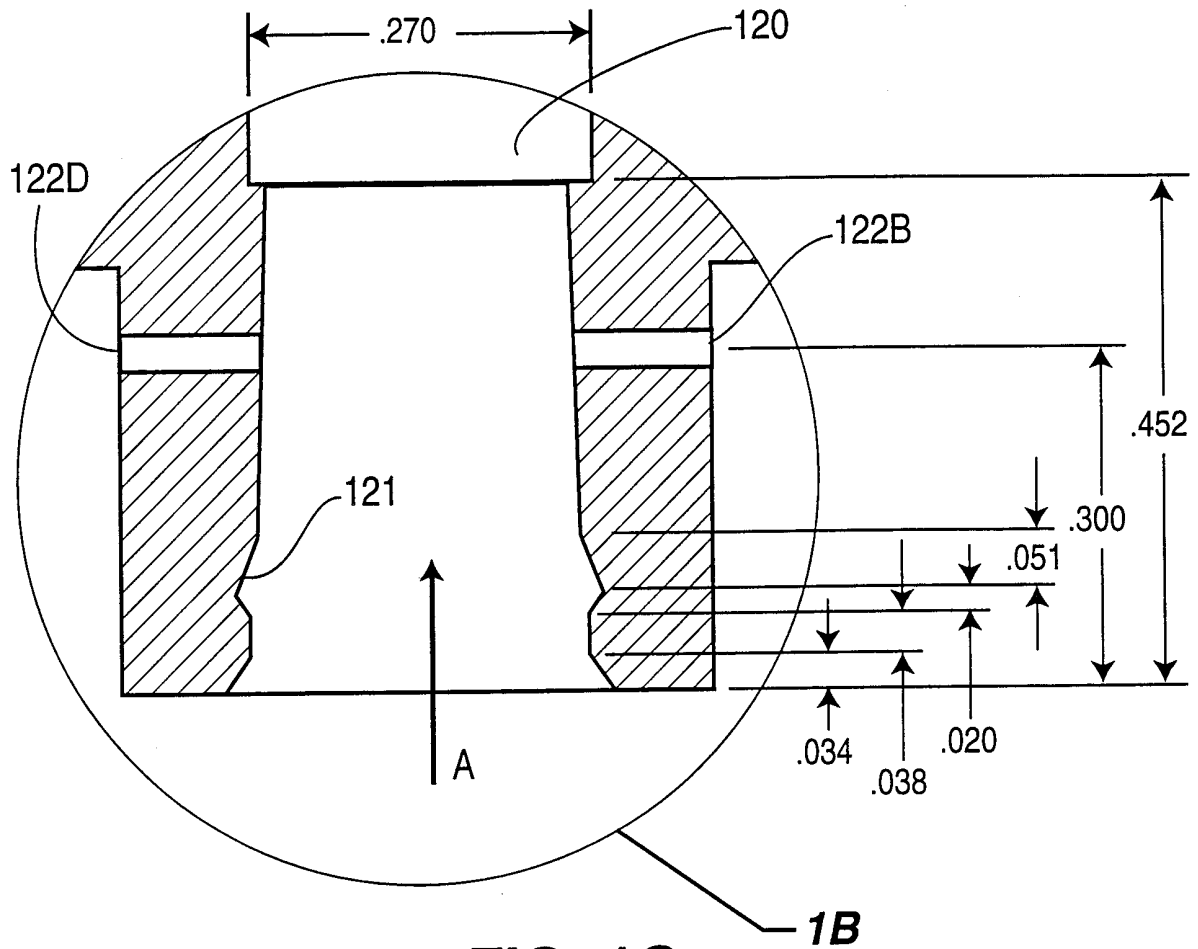


FIG. 1C

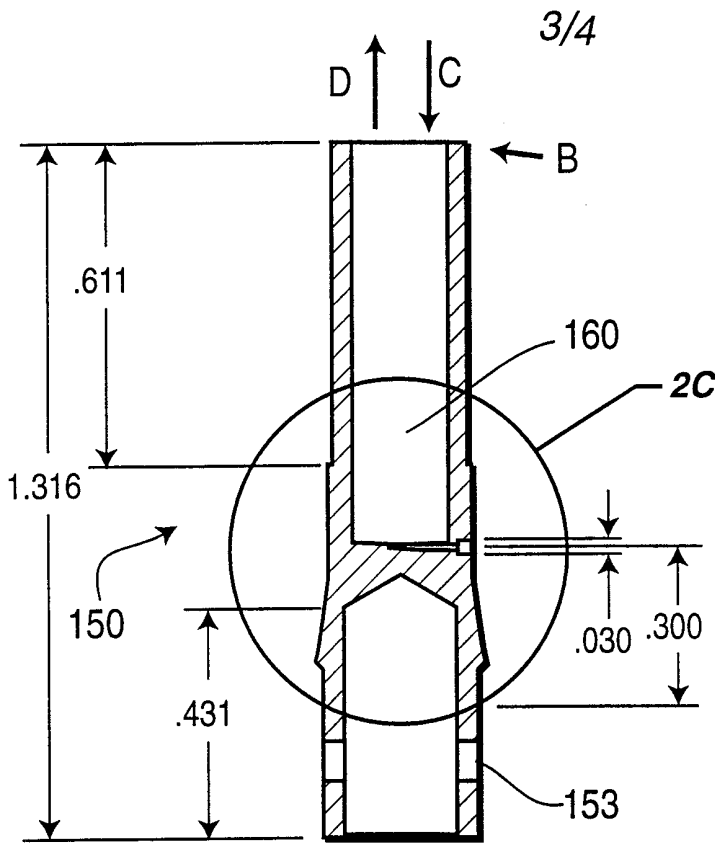


FIG. 2A

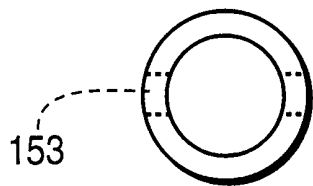


FIG. 2B

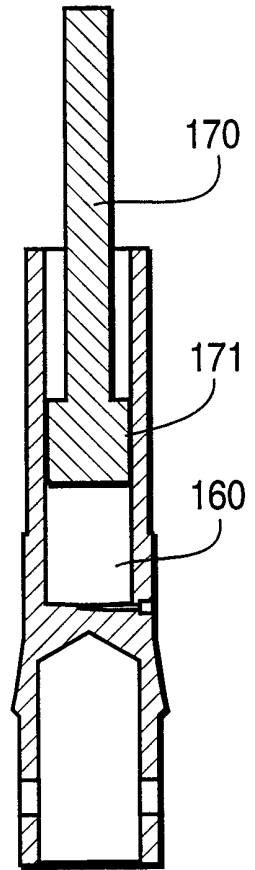


FIG. 2D

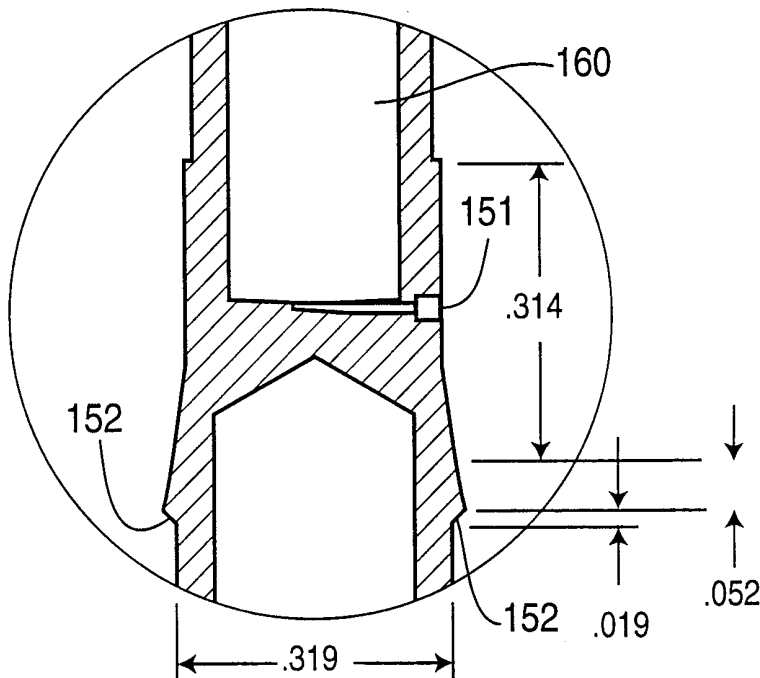


FIG. 2C

4/4

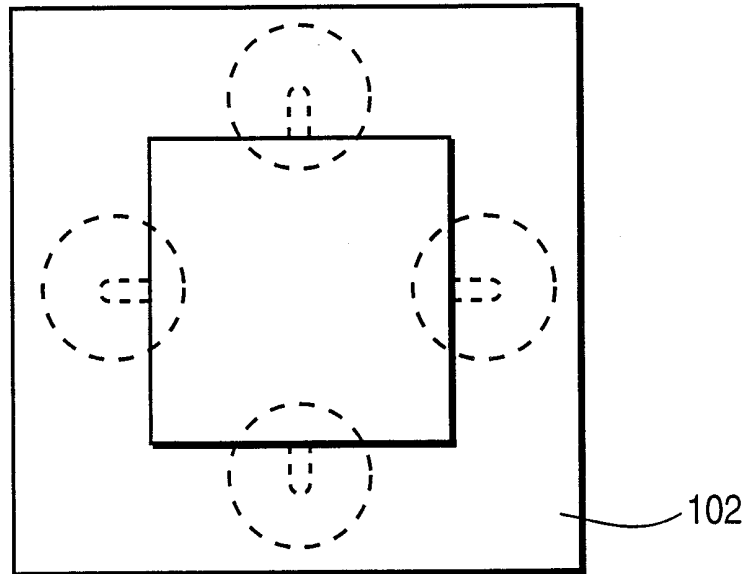


FIG. 3B

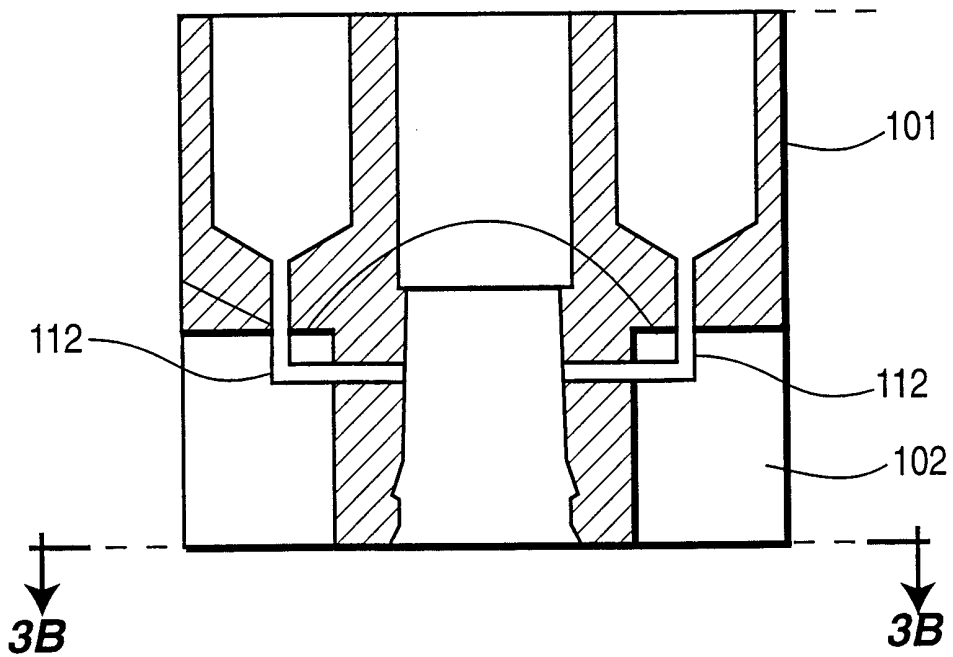


FIG. 3A

INTERNATIONAL SEARCH REPORT

International application No.
PCT/US99/25917

A. CLASSIFICATION OF SUBJECT MATTER

IPC(6) : B01L 3/02; G01N 1/18
US CL : 422/100, 99, 101, 103; 436/63, 177, 178, 180

According to International Patent Classification (IPC) or to both national classification and IPC

B. FIELDS SEARCHED

Minimum documentation searched (classification system followed by classification symbols)

U.S. : 422/100, 99, 101, 103; 436/63, 177, 178, 180

Documentation searched other than minimum documentation to the extent that such documents are included in the fields searched

Electronic data base consulted during the international search (name of data base and, where practicable, search terms used)

C. DOCUMENTS CONSIDERED TO BE RELEVANT

Category*	Citation of document, with indication, where appropriate, of the relevant passages	Relevant to claim No.
Y	US 4,889,692 A (HOLTZMAN) 26 December 1989, col. 2-7.	1-3, 5-8
Y,P	US 5,863,801 A (SOUTHGATE et al) 26 January 1999, col. 16-17.	9-10
Y	US 4,585,623 A (CHANDLER) 29 April 1986, col.2-3.	2, 4
A	US 5,384,095 A (GOLZ et al) 24 January 1995, col. 2-4.	1-10
A	US 5,976,369 A (HOWE et al) 02 November 1999, col.2-8.	9-10
A	US 5,674,394 A (WHITMORE) 7 October 1997, col. 2-6.	1-10

Further documents are listed in the continuation of Box C. See patent family annex.

* Special categories of cited documents:	*T* later document published after the international filing date or priority date and not in conflict with the application but cited to understand the principle or theory underlying the invention
A document defining the general state of the art which is not considered to be of particular relevance	*X* document of particular relevance; the claimed invention cannot be considered novel or cannot be considered to involve an inventive step when the document is taken alone
E earlier document published on or after the international filing date	*Y* document of particular relevance; the claimed invention cannot be considered to involve an inventive step when the document is combined with one or more other such documents, such combination being obvious to a person skilled in the art
L document which may throw doubts on priority claim(s) or which is cited to establish the publication date of another citation or other special reason (as specified)	*Z* document member of the same patent family
O document referring to an oral disclosure, use, exhibition or other means	
P document published prior to the international filing date but later than the priority date claimed	

Date of the actual completion of the international search 19 JANUARY 2000	Date of mailing of the international search report 10 FEB 2000
--	--

Name and mailing address of the ISA/US
Commissioner of Patents and Trademarks
Box PCT
Washington, D.C. 20231
Facsimile No. (703) 305-3230

Authorized officer
Patricia K. Bex
PATRICIA K. BEX
Telephone No. (703) 308-0661