

(19) World Intellectual Property Organization
International Bureau



(43) International Publication Date
13 October 2011 (13.10.2011)

(10) International Publication Number
WO 2011/126731 A3

(51) International Patent Classification:

G02B 27/10 (2006.01) H01S 3/101 (2006.01)
G03B 21/00 (2006.01)

(21) International Application Number:

PCT/US2011/029411

(22) International Filing Date:

22 March 2011 (22.03.2011)

(25) Filing Language:

English

(26) Publication Language:

English

(30) Priority Data:

12/755,647 7 April 2010 (07.04.2010) US

(71) Applicant (for all designated States except US): **MICROVISION, INC.** [US/US]; 6222 185th Ave NE, Redmond, Washington 98052 (US).

(72) Inventors; and

(75) Inventors/Applicants (for US only): **SPROWL, Robert, A.** [US/US]; 922 208th Ave NE, Sammamish, Washington 98074 (US). **HUDMAN, Joshua, M.** [US/US]; 4009 242nd Ave SE, Issaquah, Washington 98029 (US). **MILLER, Joshua, O.** [US/US]; 16420 171st Place NE, Woodinville, Washington 98072 (US).

(74) Agent: **WILLS, Kevin, D.**; 6222 185th Ave NE, Redmond, WA 98052 (US).

(81) Designated States (unless otherwise indicated, for every kind of national protection available): AE, AG, AL, AM,

AO, AT, AU, AZ, BA, BB, BG, BH, BR, BW, BY, BZ, CA, CH, CL, CN, CO, CR, CU, CZ, DE, DK, DM, DO, DZ, EC, EE, EG, ES, FI, GB, GD, GE, GH, GM, GT, HN, HR, HU, ID, IL, IN, IS, JP, KE, KG, KM, KN, KP, KR, KZ, LA, LC, LK, LR, LS, LT, LU, LY, MA, MD, ME, MG, MK, MN, MW, MX, MY, MZ, NA, NG, NI, NO, NZ, OM, PE, PG, PH, PL, PT, RO, RS, RU, SC, SD, SE, SG, SK, SL, SM, ST, SV, SY, TH, TJ, TM, TN, TR, TT, TZ, UA, UG, US, UZ, VC, VN, ZA, ZM, ZW.

(84) Designated States (unless otherwise indicated, for every kind of regional protection available): ARIPO (BW, GH, GM, KE, LR, LS, MW, MZ, NA, SD, SL, SZ, TZ, UG, ZM, ZW), Eurasian (AM, AZ, BY, KG, KZ, MD, RU, TJ, TM), European (AL, AT, BE, BG, CH, CY, CZ, DE, DK, EE, ES, FI, FR, GB, GR, HR, HU, IE, IS, IT, LT, LU, LV, MC, MK, MT, NL, NO, PL, PT, RO, RS, SE, SI, SK, SM, TR), OAPI (BF, BJ, CF, CG, CI, CM, GA, GN, GQ, GW, ML, MR, NE, SN, TD, TG).

Published:

- with international search report (Art. 21(3))
- before the expiration of the time limit for amending the claims and to be republished in the event of receipt of amendments (Rule 48.2(h))

(88) Date of publication of the international search report:

5 January 2012

(54) Title: WAVELENGTH COMBINING APPARATUS, SYSTEM AND METHOD

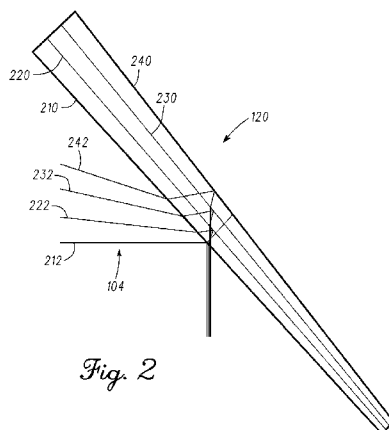


Fig. 2

(57) Abstract: A wavelength combining apparatus (100) includes first and second optical devices. The first optical device (110) collects and collimates or focuses light from multiple laser light sources. The second optical device (120) includes multiple non-parallel dichroic surfaces to combine light received from the first optical device.



WO 2011/126731 A3

INTERNATIONAL SEARCH REPORT

International application No.
PCT/US2011/029411**A. CLASSIFICATION OF SUBJECT MATTER****G02B 27/10(2006.01)i, G03B 21/00(2006.01)i, H01S 3/101(2006.01)i**

According to International Patent Classification (IPC) or to both national classification and IPC

B. FIELDS SEARCHED

Minimum documentation searched (classification system followed by classification symbols)

G02B 27/10; B01F 1/00; G02B 27/01; H01S 3/00; G02B 5/30; B01J 4/02; G02B 27/28

Documentation searched other than minimum documentation to the extent that such documents are included in the fields searched

Korean utility models and applications for utility models

Japanese utility models and applications for utility models

Electronic data base consulted during the international search (name of data base and, where practicable, search terms used)

eKOMPASS(KIPO internal) & Keywords: "optical, angular offsets, nonparallel dichroic surface, common angle, dichroic filter, collimated light beam, scanning mirror"

C. DOCUMENTS CONSIDERED TO BE RELEVANT

Category*	Citation of document, with indication, where appropriate, of the relevant passages	Relevant to claim No.
A	US 2009-0195875 A1 (PASCA EUGENIA et al.) 06 August 2009 See abstract; figure 1; paragraphs [0009]-[0013]; claims 1, 2, 8, 9;	1-15
A	JP 06-007658 A (RICOH CO., LTD.) 18 January 1994 See figures 1, 2; page 2; claim 1;	1-15
A	US 2007-0086495 A1 (RANDALL SPRAGUE et al.) 19 April 2007 See abstract; figures 12, 16A; paragraphs [0009]-[0015];	1-15
A	US 2006-0109551 A1 (RICHARD HUTCHIN) 25 May 2006 See abstract; figure 1; paragraphs [0024], [0025];	1-15

 Further documents are listed in the continuation of Box C. See patent family annex.

* Special categories of cited documents:

"A" document defining the general state of the art which is not considered to be of particular relevance

"E" earlier application or patent but published on or after the international filing date

"L" document which may throw doubts on priority claim(s) or which is cited to establish the publication date of citation or other special reason (as specified)

"O" document referring to an oral disclosure, use, exhibition or other means

"P" document published prior to the international filing date but later than the priority date claimed

"T" later document published after the international filing date or priority date and not in conflict with the application but cited to understand the principle or theory underlying the invention

"X" document of particular relevance; the claimed invention cannot be considered novel or cannot be considered to involve an inventive step when the document is taken alone

"Y" document of particular relevance; the claimed invention cannot be considered to involve an inventive step when the document is combined with one or more other such documents, such combination being obvious to a person skilled in the art

"&" document member of the same patent family

Date of the actual completion of the international search

21 NOVEMBER 2011 (21.11.2011)

Date of mailing of the international search report

21 NOVEMBER 2011 (21.11.2011)

Name and mailing address of the ISA/KR

Korean Intellectual Property Office
Government Complex-Daejeon, 189 Cheongsu-ro,
Seo-gu, Daejeon 302-701, Republic of Korea

Facsimile No. 82-42-472-7140

Authorized officer

HONG, Seung Moo

Telephone No. 82-42-481-8577



INTERNATIONAL SEARCH REPORT

Information on patent family members

International application No.

PCT/US2011/029411

Patent document cited in search report	Publication date	Patent family member(s)	Publication date
US 2009-0195875 A1	06.08.2009	US 7791807 B2	07.09.2010
JP 06-007658 A	18.01.1994	AU 3310293 A	09.09.1993
		CA 2090100 A1	05.09.1993
		EP 0560504 A1	15.09.1993
US 2007-0086495 A1	19.04.2007	EP 1987572 A2	05.11.2008
		JP 2009-505406 A	05.02.2009
		WO 2007-022066 A2	22.02.2007
		WO 2007-022066 A3	18.09.2008
		WO 2007-022066 A3	22.02.2007
US 2006-0109551 A1	25.05.2006	US 7400448 B2	15.07.2008