



US00D345074S

# United States Patent [19] Myers et al.

[11] Patent Number: Des. 345,074  
[45] Date of Patent: \*\* Mar. 15, 1994

- [54] **TOASTER**
- [75] Inventors: **Terry L. Myers**, Richmond, Va.; **R. Scott Myerly**, Alpharetta, Ga.; **Stanley T. Gresens**, Homewood; **James C. Hand**, Glen Ellyn, both of Ill.
- [73] Assignee: **Hamilton Beach/Proctor-Silex, Inc.**, Glen Allen, Va.
- [\*\*] Term: **14 Years**
- [21] Appl. No.: **2,437**
- [22] Filed: **Dec. 9, 1992**
- [52] U.S. Cl. .... **D7/330; D7/328**
- [58] Field of Search ..... **D7/323, 328-330; 99/372, 385, 389**

- 63288 5/1989 Canada .
- 69242 11/1991 Canada .
- 69763 12/1991 Canada .
- 2105974 4/1983 United Kingdom .

### OTHER PUBLICATIONS

P. 9 of Catalog titled **Hamilton Beach/Proctor Silex** published Apr. 19, 1992 by **Hamilton Beach/Proctor-Silex Inc.**  
 Photo copy of front and back cover pages and p. 199 of **Best General Merchandise Catalog**, published 1990 by **Best Products Co. Inc.**

*Primary Examiner*—Alan P. Douglas  
*Assistant Examiner*—Caron D. Veynar  
*Attorney, Agent, or Firm*—Roger S. Dybvig

### [57] CLAIM

The ornamental design for a toaster, as shown and described.

### DESCRIPTION

FIG. 1 is a top, front and left side perspective view of a toaster showing our new design;  
 FIG. 2 is a front elevational view thereof;  
 FIG. 3 is a top plan view thereof;  
 FIG. 4 is a rear elevational view thereof;  
 FIG. 5 is a bottom plan view thereof; and,  
 FIG. 6 is right side elevational view thereof, the left side being a mirror image of the right side.  
 The broken line showings of the toast rack in FIGS. 1 and 3 and the crumb tray in FIG. 5 are for illustrative purposes only and form no part of the claimed design.

### [56] References Cited

#### U.S. PATENT DOCUMENTS

- |            |        |                        |          |
|------------|--------|------------------------|----------|
| D. 86,611  | 3/1932 | Lagerquist et al. .... | D7/328   |
| D. 193,599 | 9/1962 | De Fano .....          | D7/330   |
| D. 235,124 | 5/1975 | Jolliffe .....         | D7/330   |
| D. 315,272 | 3/1991 | Moore et al. ....      | D7/330   |
| D. 315,273 | 3/1991 | Myerly et al. ....     | D7/330   |
| D. 328,685 | 8/1992 | Wolfe .....            | D7/330   |
| D. 328,686 | 8/1992 | Wolfe .....            | D7/330   |
| D. 336,588 | 6/1993 | Myerly et al. ....     | D7/328 X |
| 2,717,951  | 9/1955 | Swicker .....          | 99/385 X |

#### FOREIGN PATENT DOCUMENTS

- 58993 7/1987 Canada .
- 60971 5/1988 Canada .

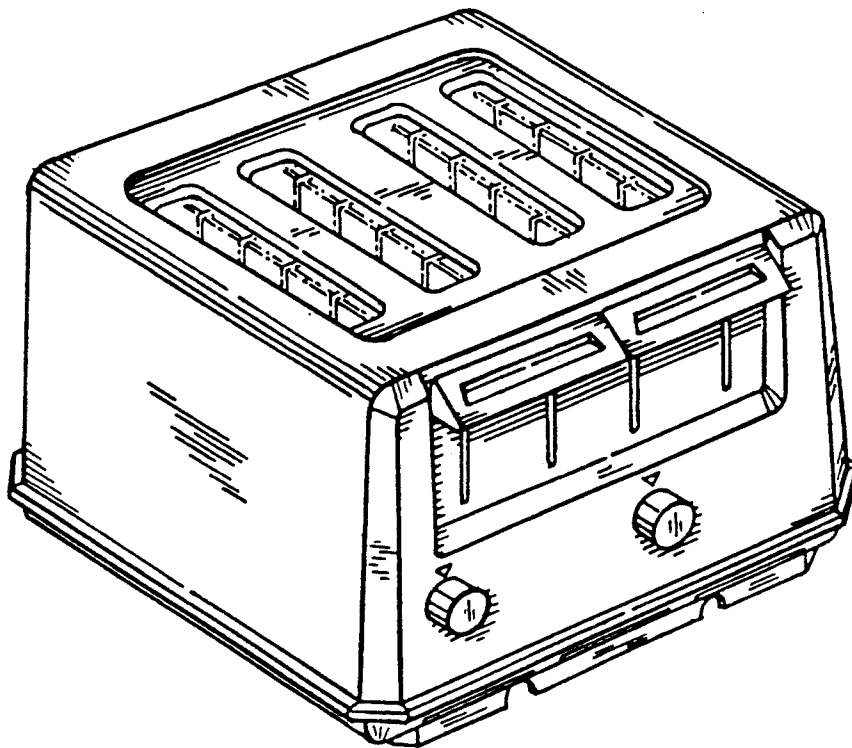


FIG-1

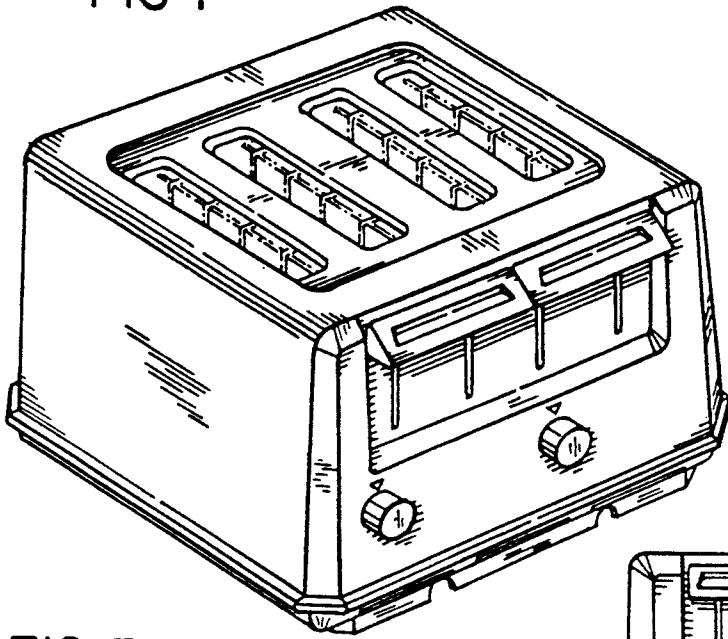


FIG-2

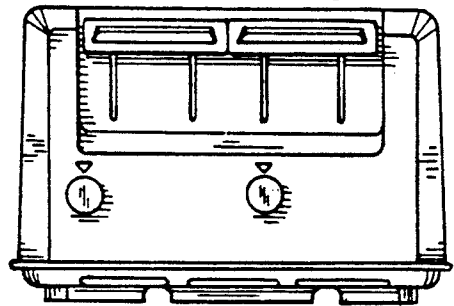


FIG-3

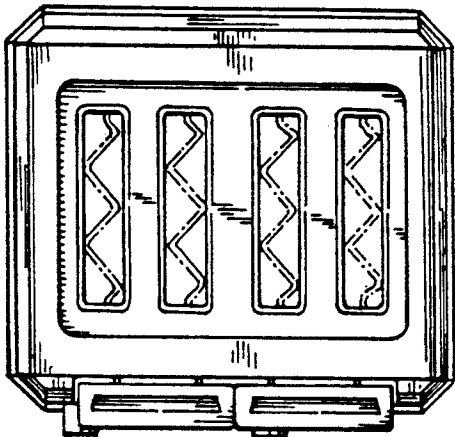


FIG-4

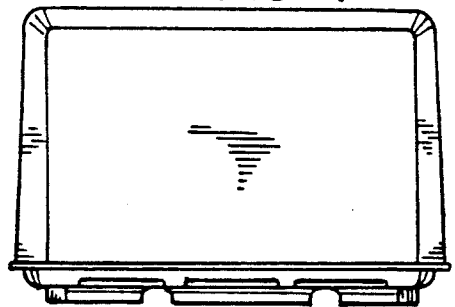


FIG-5

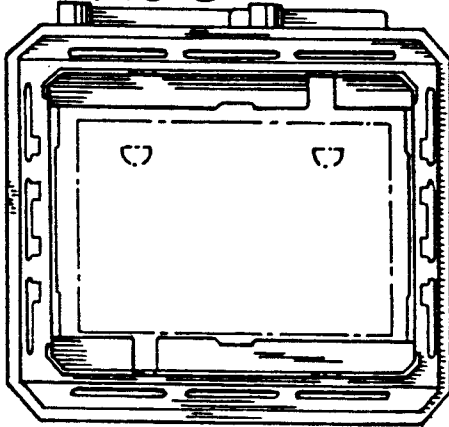


FIG-6

