



US00D999840S

(12) **United States Design Patent**  
**Chen**

(10) **Patent No.:** **US D999,840 S**

(45) **Date of Patent:** **\*\* Sep. 26, 2023**

(54) **TOY MAKEUP BOX**

(71) Applicant: **Mingkai Chen**, Shantou (CN)

(72) Inventor: **Mingkai Chen**, Shantou (CN)

(\*\*) Term: **15 Years**

(21) Appl. No.: **29/838,739**

(22) Filed: **May 16, 2022**

(51) **LOC (14) Cl.** ..... **21-01**

(52) **U.S. Cl.**

USPC ..... **D21/650**; D3/271.2; D28/80; D21/483

(58) **Field of Classification Search**

USPC ..... D21/483, 650; D3/270, 271.1, 271.2,  
D3/271.7, 283, 297; D9/630; D28/76,  
D28/77, 78, 79, 80

CPC ..... A45D 33/00; A45D 33/006; A45D 33/18;  
A45D 33/20; A45D 33/26; A45D 33/28;  
A63H 3/005

See application file for complete search history.

(56) **References Cited**

**U.S. PATENT DOCUMENTS**

D69,783 S \* 3/1926 Sweeney ..... 132/316  
D124,318 S \* 12/1940 Mason ..... D28/80

D124,319 S \* 12/1940 Mason ..... D28/80  
D143,966 S \* 2/1946 Fisk et al. .... D28/79  
D475,809 S \* 6/2003 Shih ..... D28/80  
6,619,297 B2 \* 9/2003 Sheng ..... A45D 33/20  
220/4.27  
D485,019 S \* 1/2004 Au ..... D3/270  
D485,434 S \* 1/2004 Au ..... D3/270  
D547,947 S \* 8/2007 Lo ..... A45D 33/20  
D3/903

\* cited by examiner

*Primary Examiner* — Cynthia M. Chin

(57) **CLAIM**

The ornamental design for a toy makeup box, as shown and described.

**DESCRIPTION**

FIG. 1 is a perspective view of a toy makeup box showing my new design;

FIG. 2 is a front elevational view thereof;

FIG. 3 is a rear elevational view thereof;

FIG. 4 is a left side elevational view thereof;

FIG. 5 is a right side elevational view thereof;

FIG. 6 is a top plan view thereof; and,

FIG. 7 is a bottom plan view thereof.

**1 Claim, 7 Drawing Sheets**





FIG. 1



FIG. 2



FIG. 3

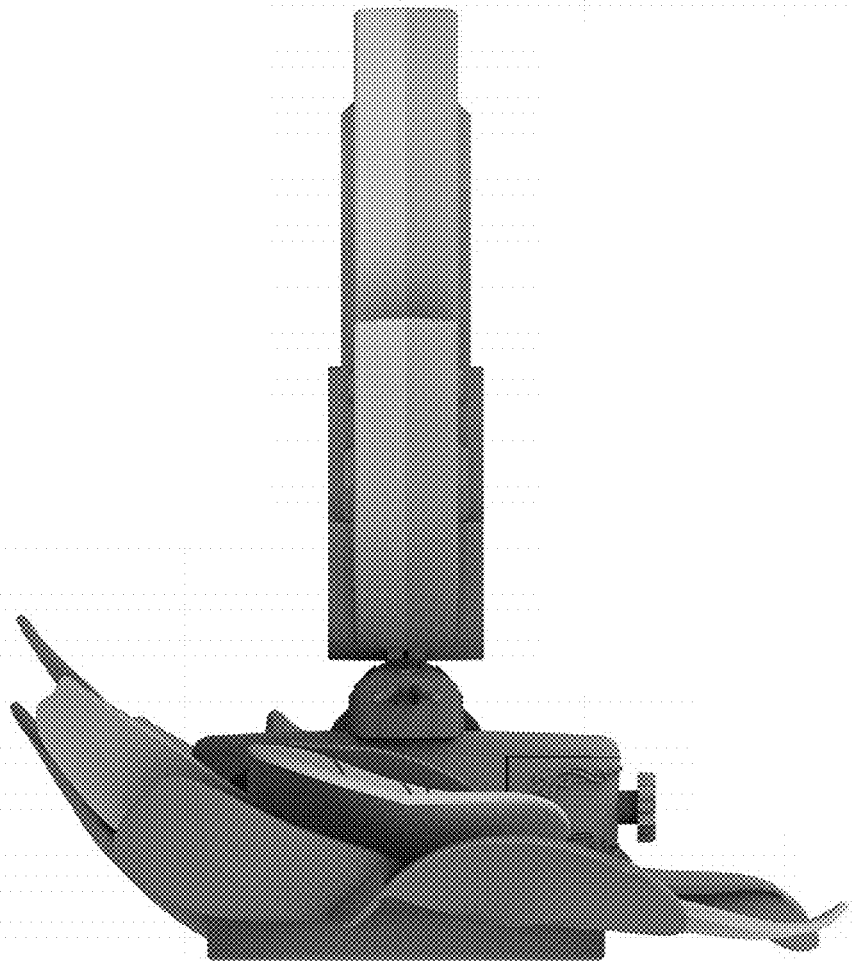


FIG. 4

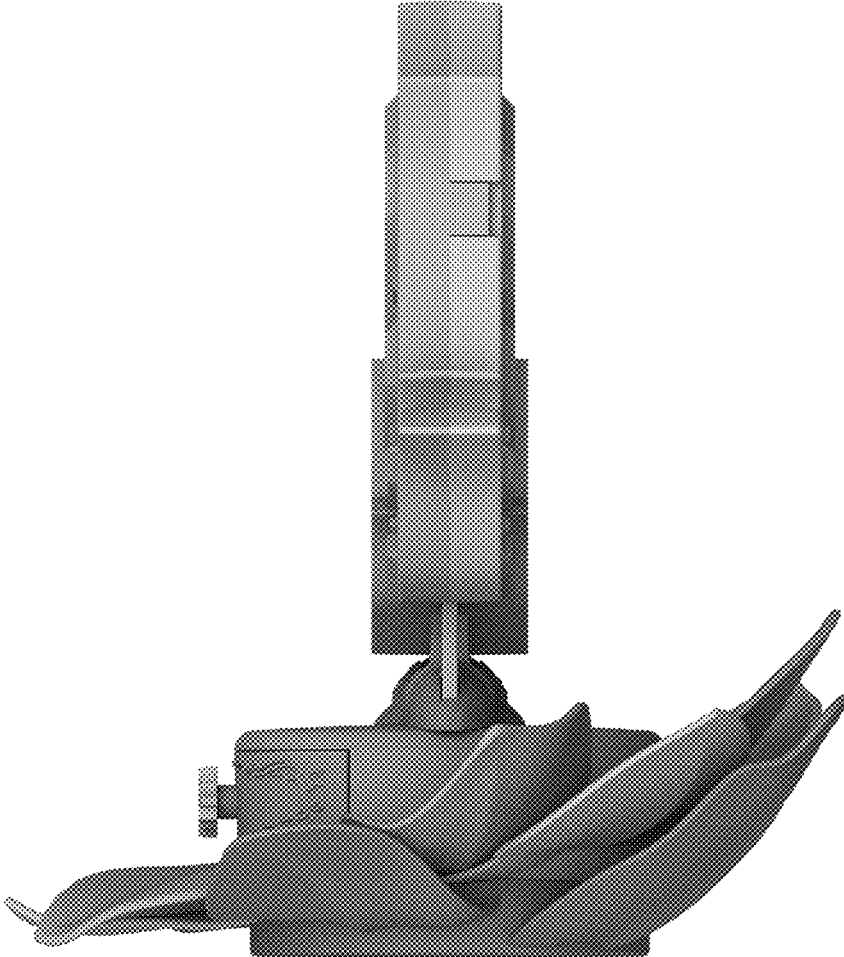


FIG. 5

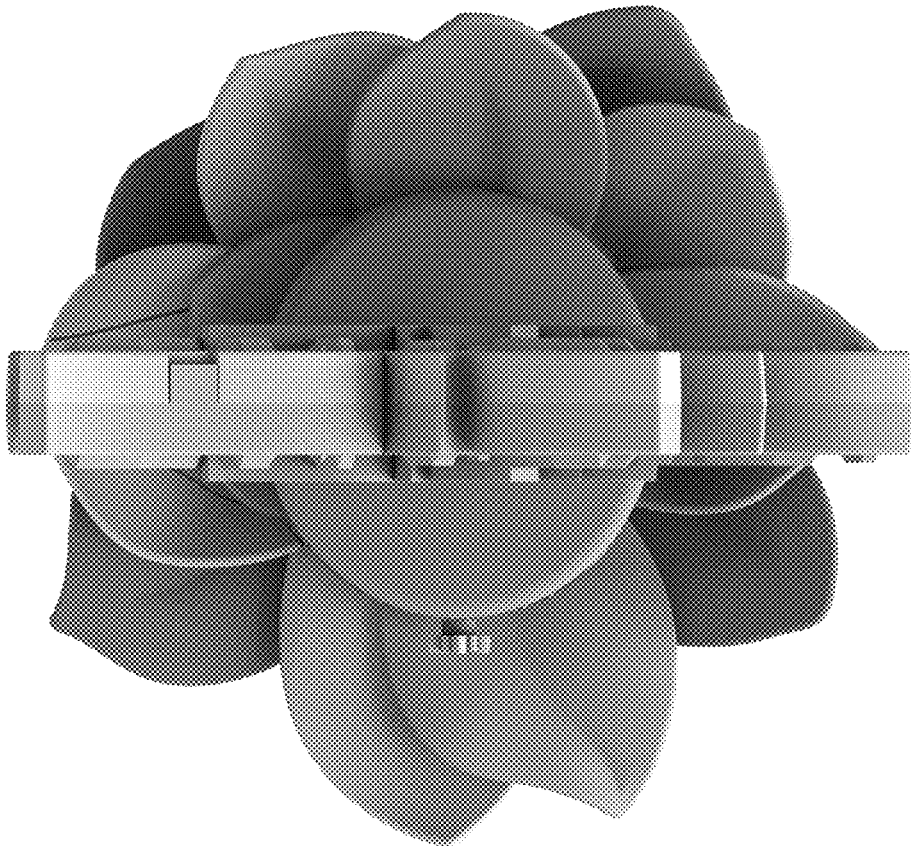


FIG. 6

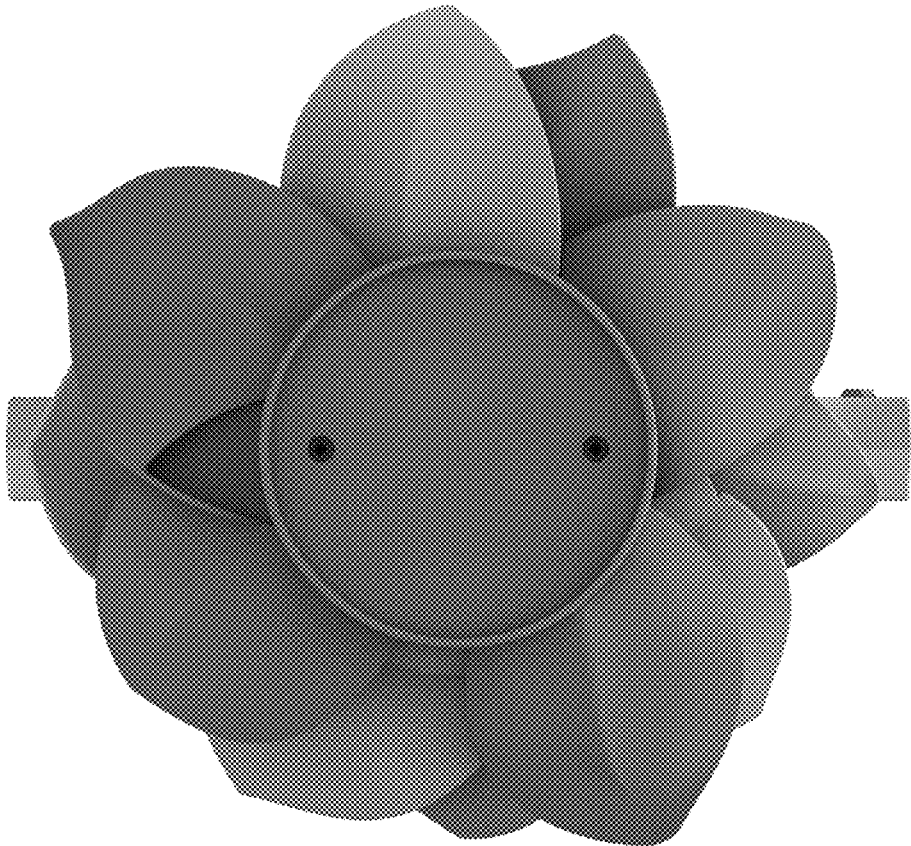


FIG. 7