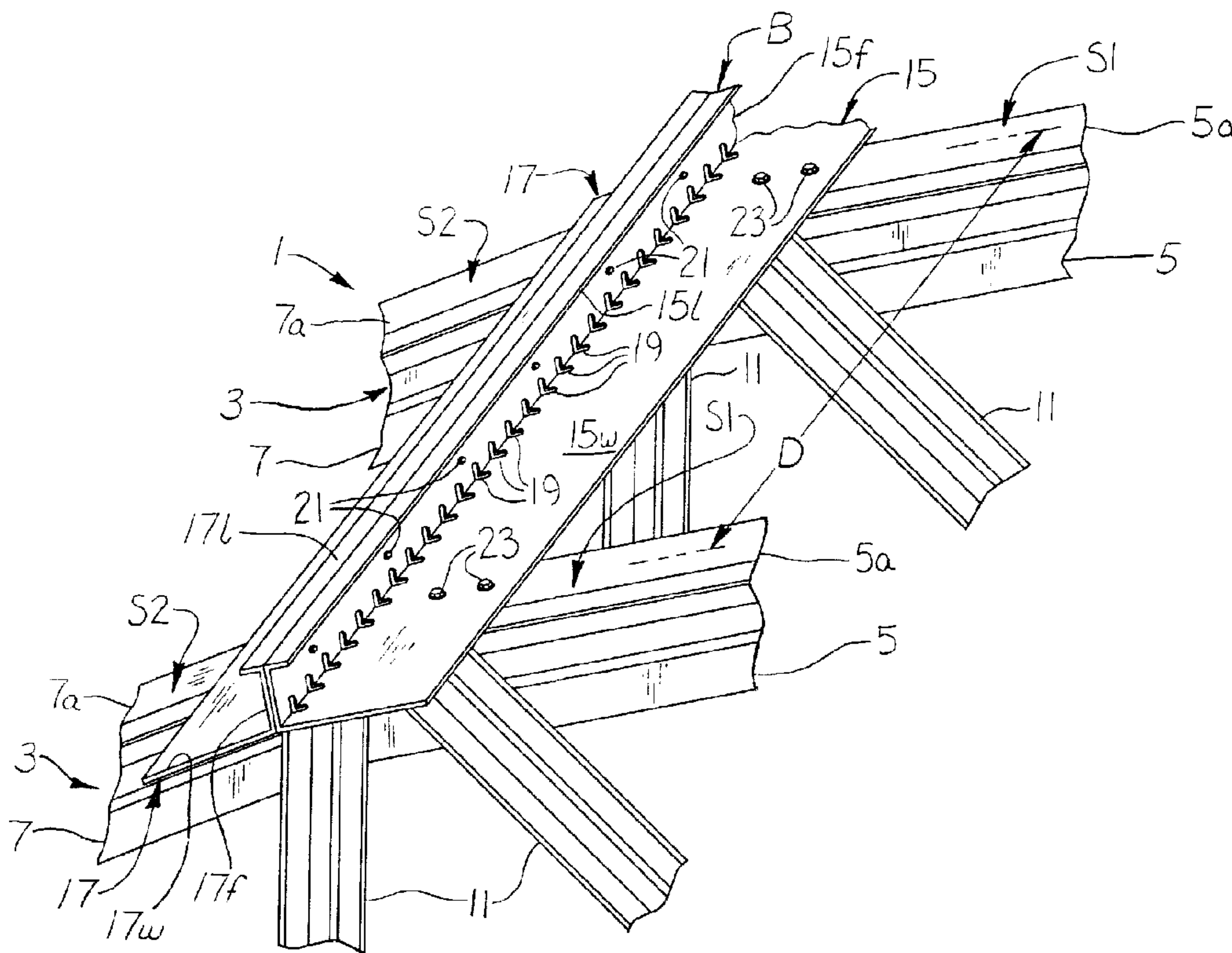




(22) Date de dépôt/Filing Date: 2002/01/28
 (41) Mise à la disp. pub./Open to Public Insp.: 2002/07/29
 (45) Date de délivrance/Issue Date: 2007/01/09
 (30) Priorité/Priority: 2001/01/29 (US09/681,151)

(51) Cl.Int./Int.Cl. *E04B 7/06* (2006.01),
E04B 7/02 (2006.01), *E04C 3/02* (2006.01),
E04C 3/40 (2006.01), *E04D 13/04* (2006.01),
E04D 3/366 (2006.01)
 (72) Inventeur/Inventor:
 PELLOCK, MICHAEL A., US
 (73) Propriétaire/Owner:
 MITEK HOLDINGS, INC., US
 (74) Agent: SMART & BIGGAR

(54) Titre : CONTREVENTEMENT DE TOIT ET STRUCTURES DE TOIT CONTREVENTEES
 (54) Title: ROOF BRACING AND BRACED ROOF STRUCTURES



(57) Abrégé/Abstract:

Roof bracing, and a braced roof structure including the bracing located at the junction of dihedral surfaces of the roof structure which meet at a dihedral angle determined by trusses in a roof framing system. The bracing includes a pair of elongate braces each having a web and a flange extending from an edge of the flange. The web is bendable relative to the flange. The braces can be applied with their flanges in back-to-back engagement and with the webs extending laterally outwardly generally at the dihedral angle for generally flatwise engagement of the webs with the trusses. The braces also function as beams to support the roofing against upward and downward loads on the roofing.

ROOF BRACING AND BRACED ROOF STRUCTURES

Abstract of the Disclosure

Roof bracing, and a braced roof structure including the bracing located at the junction of dihedral surfaces of the roof structure which meet at a dihedral angle determined by trusses in a roof framing system. The bracing includes a pair of elongate braces each having a web and a flange extending from an edge of the flange. The web is bendable relative to the flange. The braces can be applied with their flanges in back-to-back engagement and with the webs extending laterally outwardly generally at the dihedral angle for generally flatwise engagement of the webs with the trusses. The braces also function as beams to support the roofing against upward and downward loads on the roofing.

ROOF BRACING AND BRACED ROOF STRUCTURES

Background of the Invention

This invention relates to roof bracing and roof structures incorporating said bracing, more particularly to bracing for trussed roofs and trussed roof structure
5 incorporating said bracing.

The invention is especially directed to bracing for the junction of two dihedral roof surfaces meeting at a dihedral angle determined by trusses in a roof framing system, such as bracing for a ridge of a ridged roof structure (including a hip of a hipped roof structure) and a valley of a valleyed roof structure, and to
10 roof structure such as ridged, hipped or valleyed structure incorporating said bracing. The invention is also directed to a trussed roof structure incorporating the bracing which provides support for the roofing laid on the trusses.

Brief Summary of the Invention

Among the several objects of this invention may be noted the provision of
15 bracing for the junction of two dihedral roof surfaces, such as the junction at a ridge of a ridged roof structure (including a hip of a hipped roof structure) or the valley of a valleyed roof structure, adapted for application to different roof structures having dihedral roof surfaces at different dihedral angles; the provision of such bracing which is not only economical to manufacture but economical to
20 adapt for application to said different roof structures and to apply in the field; and the provision of trussed roof structures having dihedral roof surfaces with bracing for strengthening the junction of such surfaces and supporting the roofing.

In general, bracing of this invention is for application extending lengthwise of the junction of two dihedral roof surfaces where they meet at a dihedral angle
25 determined by trusses in a roof framing system, said bracing comprising a pair of elongate braces each comprising a strip of sheet metal formed to have a longitudinally extending web and a flange extending from the web at a longitudinally extending edge of the web, the flange and web of each brace meeting at said edge at a predetermined angle, the web being bendable at said
30 edge to different angles relative to the flange, said braces being applicable to said junction with the flanges in back-to-back engagement and with the webs extending laterally outward generally at said dihedral angle for generally flatwise

engagement of the webs with said trusses and securement of the webs to the trusses.

5 A roof of the invention has a framing system comprising trusses meeting at a junction, the trusses determining two dihedral roof surfaces meeting at a dihedral angle at said junction, with bracing extending lengthwise of the junction comprising a pair of elongate braces each comprising a strip of sheet metal formed to comprise a longitudinally extending web and a flange extending from the web at a longitudinally extending edge of the web, said braces extending lengthwise of said junction with the flanges thereof in back-to-back engagement and with the webs extending laterally outward generally at said dihedral angle generally in flatwise engagement with and fastened to said trusses, and roofing on the trusses extending over the webs.

10 Other objects and features will be in part apparent and in part pointed out hereinafter.

15 Brief Description of the Drawings

Fig. 1 is a semi-diagrammatic perspective of a fragment of a roof framing system with bracing of this invention applied to a ridge established by trusses of the system;

20 Fig. 2 is a development of Fig. 1, partly broken away, showing the addition of corrugated sheet metal roofing thereto completing the roof;

Fig. 3 is a view generally in section on line 3--3 of Fig. 2;

Fig. 4 is a plan, partly broken away, of the bracing per se;

25 Figs. 5 and 6 are left and right side views, respectively, of Fig. 4, each partly broken away;

Fig. 7 is an enlarged end view of Fig. 4;

Fig. 8 is a fragmentary perspective as viewed generally on line 8--8 of Fig. 7; and

Fig. 9 is a semi-diagrammatic perspective of a modification wherein the roof is a valleyed roof and the bracing is applied to a junction in a valley.

30 Corresponding reference characters indicate corresponding parts throughout the several views of the drawings.

Detailed Description

Referring first to Figs. 1-3, there is illustrated part of a roof structure, generally designated **1**, comprising roof trusses **3** (only two being shown) extending parallel to one another in a roof framing system, the trusses being spaced a distance indicated at **D** (for example four feet). As illustrated, each truss **3** is one of conventional format having a top chord comprising upper members sloping upward to an apex peak (not shown) and inclined end members each slanting down from the junction with the ends of the upper members to the respective heels (not shown) of the trusses, and web members triangulating the space between the top and bottom chords. The upper chord member of each of the trusses shown in Figs. 1-3 is designated **5**, the end member of each of the trusses shown in Figs. 1-3 is designated **7**, and the junction thereof is designated **9** (Fig. 3). The web members shown in Figs. 1-3 are each designated **11**. The invention is especially applicable, though not limited in application, to roof structure wherein each truss **3** is a metal truss, the chords and webs of each truss being formed of sheet metal with the cross-section shown, the upper chord members **5** having top flanges **5a** and the chord end members **7** having top flanges **7a**. The trusses illustrated in Figs. 1-3 are each of the type sold under the trade name ULTRA-SPAN[®] by Mitek Industries, Inc. of Chesterfield, Missouri (assignee of this invention). It is to be understood that the present invention (described below) is applicable to trusses of other types, including trusses made partially or exclusively of wood.

As shown, the trusses **3** establish two dihedral roof surfaces indicated at **S1** and **S2** meeting at a dihedral angle determined by the angle between the upper chord member **5** and the inclined end chord member **7**, this angle being the angle indicated at **A1** in Fig. 1. The roof surface **S1** is presented by the upwardly facing surface of the flanges **5a** of the upper chord members **5** and the roof surface **S2** is presented by the upwardly facing surfaces of the flanges **7a** of the end chord members **7**. Surface **S2** may slope upwardly toward the top as shown in Fig. 1. Bracing of this invention, designated in its entirety by the reference character **B**, extends lengthwise of the junction at **9** of the two dihedral surfaces where they meet at angle **A1** (see Fig. 2) in the roof framing system, thus bracing the ridge presented by the trusses at **9**.

Bracing **B**, shown in Figs. 4-8 as supplied for the application in the field extending lengthwise of the junction **9** of roof surfaces **S1** and **S2**, comprises a pair of elongate braces, one designated in its entirety by the reference numeral **15** and the other designated in its entirety by the reference numeral **17**. Each

brace **15, 17** comprises a strip of sheet metal such as 16 gauge sheet steel (0.057 inch thick) formed in a suitable bending operation to comprise a longitudinally extending flat web and a flat flange extending from the web at a longitudinally extending edge of the web (a bend), with a lip on the flange (on the free edge of the flange extending over the web). The cross-section of one brace is a mirror image of the cross-section of the other. The web, flange and lip of the brace **15** are indicated **15w, 15f, and 15l**, respectively, similarly the web, flange and lip of the brace **17** are indicated at **17w, 17f and 17l**, respectively. The stated edge (bend) of brace **15** is indicated at **15e**; similarly the stated edge (bend) of brace **17** is indicated at **17e**. The web **15w, 17w** of each brace is considerably wider than the respective flange **15f, 17f**.

The flange and web of each brace **15, 17** as supplied for the application in the field, meet at the respective edge **15e, 17e** at a predetermined meeting angle **A2** which may range from about 10° to 30° , specifically 15° as shown. Each web **15w, 17w** is bendable in the field at the respective edge **15e, 17e** to different angles relative to the respective flange **15f, 17f** so that the braces **15, 17** are applicable to the stated junction 9 (the ridge as shown in Figs. 1-3) with the flanges **15f, 17f** in back-to-back engagement and with the webs **15w, 17w** extending laterally outward from the flanges **15f, 17f** angled to correspond generally to the stated dihedral angle **A1** (i.e. with $A2 + A2 = A1$) for generally flatwise engagement of the webs **15w, 17w** with the trusses **3** (more specifically with the top flanges **5a, 7a** of the upper chord members **5, 7** of the trusses) and securement of the webs **15w, 17w** to the trusses.

To facilitate the bending in the field of the webs **15w, 17w** to the different angles relating to the flanges **15f, 17f** as may be needed, each brace **15, 17** is weakened along the edge **15e, 17e** thereof. Preferably, this weakening of each brace **15, 17** is accomplished by providing each brace **15, 17** with a series of holes **19** spaced at intervals along the edge **15e, 17e** thereof; e.g. for braces with the web **15w, 17w** four inches wide and the flanges **15f, 17f** one and one-eighth inches high, holes about one-quarter inch wide spaced at intervals of about three-quarters inch are provided.

As shown in Figs. 1-3, the braces **15, 17** are applied to the trusses extending lengthwise on the junction **9** (the ridge defined the trusses), one or both of the webs **15w, 17w** being bent by hand on the job to extend outward from the flanges **15f, 17f** generally at the angle relative to one another equal to dihedral angle **A1** of the roof surfaces **S1, S2**, being applied with the flanges **15f, 17f** in back-to-back engagement and the webs **15w, 17w** in flatwise engagement with

the trusses **3**, more specifically in flatwise engagement with the top flanges **5a**, **7a** of truss members **5**, **7**. It is to be understood that the bracing may be formed as a single piece without departing from the scope of the present invention. The flanges **15f**, **17f** are secured together in said back-to-back engagement by fasteners **21**, such as self-tapping screws, spaced along the flanges at 24 inch or less inch intervals, for example, and the webs **15w**, **17w** are secured to the flanges **5a**, **7a** of chord members **5**, **7** of the trusses **3** by fasteners **23** such as self-tapping screws (two screws **23** per flange **5a**, **7a** per truss, for example). The flanges **15f**, **17f** extend generally upwardly from the webs **15w**, **17w** along the ridge at **9**, being stiffened by the lips **15l**, **17l** at their free upper edges, lying in a plane which preferably generally bisects the dihedral angle of the roof surfaces **S1**, **S2** (and the dihedral angle of the webs **15w**, **17w**).

With the bracing **B** (braces **15** and **17**) so applied and fastened down, roofing **R** (Figs. 2 and 3) is applied to the trusses **3** on roofing surfaces **S1** and **S2**, the roofing extending over the webs **15w**, **17w** and being secured thereto. As shown, the roofing is corrugated sheet metal roofing, a section **R1** thereof being applied on surface **S1** presented by flanges **5a** of the upper chord end members **5** and another section **R2** being applied on surface **S2** presented by flanges **7a** of the chord end members **7**. Areas of the corrugated sheet metal roofing sections **R1**, **R2** lie flatwise on webs **15w**, **17w** of the braces **15**, **17** and valleys of the roofing sections in those areas are fastened on the webs as by self-tapping screws **25**. Valleys of the corrugated roofing sections **R1**, **R2** in other areas are fastened on the flanges **5a**, **7a** of the truss members as by self-tapping screws (not shown). Marginal portions of the roofing sections **R1**, **R2** indicated at **27** extend under the lips **15l**, **17l** of the braces (see particularly Fig. 3).

Fig. 9 illustrates the application of the bracing **B** in a valley of a valleyed roof structure of two dihedral roof surfaces **S3** and **S4** presented by trusses such as indicated at **29**. Webs **15w**, **17w** of braces **15**, **17** of the bracing are bent at edges **15e**, **17e** thereof to extend laterally slanting upwardly in this instance at the dihedral angle of the surfaces **S3**, **S4**. Roofing sections **R3** and **R4**, of corrugated sheet metal, are applied to surfaces **S3** and **S4**, and the same type of fastening as described above for the ridged roof structure is provided securing webs **15w**, **17w** to the trusses and the roofing sections in place.

Wherever the braces **15**, **17** are placed, the webs **15w**, **17w** underlie and provide support for the roofing sections **R1**, **R2** lying on the webs. The webs **15w**, **17w** are located under edge margins of the roofing sections **R1**, **R2** and extend along their entire lengths, providing support and rigidity for the entire

roofing section. The configuration of each brace **15, 17** permits it to provide substantial support for upward and downward loads applied to the roofing sections **R1, R2**. More particularly, the flanges **15f, 17f** provide resistance to bending of the braces **15, 17** about axes parallel to the roof surfaces **S3** and **S4**,
5 providing more strength to resist such bending over conventional one piece, flat plates bent to a "V" corresponding to the angle of the inserting roof surfaces to support the edge margins of adjacent roofing sections (not shown). The lips **15l, 17l** also provide substantial resistance to bending of the braces **15, 17**. Thus, it may be seen that the brace **B** functions as a beam to support the roofing sections
10 **R1, R2**.

In view of the above, it will be seen that the several objects of the invention are achieved and other advantageous results attained.

When introducing elements of the present invention or the preferred embodiment(s) thereof, the articles "a", "an", "the" and "said" are intended to
15 mean that there are one or more of the elements. The terms "comprising", "including" and "having" are intended to be inclusive and mean that there may be additional elements other than the listed elements.

As various changes could be made in the above constructions without departing from the scope of the invention, it is intended that all matter contained
20 in the above description or shown in the accompanying drawings shall be interpreted as illustrative and not in a limiting sense.

64725-867

7

CLAIMS:

1. Bracing for application extending lengthwise of the junction of two dihedral roof surfaces where they meet at a dihedral angle determined by trusses in a roof framing system, said bracing comprising a pair of elongate braces each comprising a strip of about 16 gauge sheet metal formed to comprise a longitudinally extending web and a flange extending from the web at a longitudinally extending edge of the web, the flange and web of each brace meeting at said edge at a predetermined angle, the web being bendable in the field at said edge to different angles relative to the flange, wherein each brace is formed with a lip on the free edge of its flange extending over the web of the brace and stiffening the brace, said bracing being adapted for receiving roofing sections and providing support and rigidity against loads applied to such roofing sections, wherein each brace is weakened along the meeting edge of the web and flange to facilitate bending of the web in the field to different angles relative to the flange thereof, said braces being applicable to said junction with the flanges in back-to-back engagement and with the webs extending laterally outward generally at said dihedral angle for generally flatwise engagement of the webs with said trusses and securement of the webs to the trusses.

2. Bracing as set forth in claim 1 wherein each brace is weakened by having a series of holes therein along its said edge.

3. Bracing as set forth in claim 1 wherein the web of each brace is wider than the flange of the brace.

4. Bracing as set forth in claim 3 wherein said predetermined meeting angle of the flange and web of each brace is in the range from about 10° to about 30°.

64725-867

8

5. Bracing as set forth in claim 4 wherein each brace is weakened by having a series of holes therein spaced at intervals along the meeting edge of the web and flange thereof.

5 6. A roof having a framing system comprising trusses meeting at a junction, the trusses determining two dihedral roof surfaces meeting at a dihedral angle at said junction, bracing extending lengthwise of the junction and being adapted for receiving roofing sections and providing support
10 and rigidity against loads applied to such roofing sections comprising a pair of elongate braces each comprising a strip of sheet metal formed to comprise a longitudinally extending web and a flange extending from the web at a longitudinally extending edge of the web, wherein the braces each comprise
15 a lip extending from the flange at a longitudinally extending edge of the flange opposite the web and stiffening the brace, said braces extending lengthwise of said junction with the flanges thereof in back-to-back engagement and with the webs extending laterally outward generally at
20 said dihedral angle generally in flatwise engagement with and fastened to said trusses, and roofing on the trusses extending over the webs.

7. A roof as set forth in claim 6 wherein the junction is a ridge.

25 8. A roof as set forth in claim 6 wherein the junction is a valley.

9. A roof as set forth in claim 6 wherein the flanges are secured together in said back-to-back engagement.

10. A roof as set forth in claim 9 wherein the flanges
30 are fastened together by self-tapping screws.

64725-867

9

11. A roof as set forth in claim 9 wherein the flanges are fastened together in said back-to-back engagement by self-tapping screws, the trusses are sheet metal trusses, and the webs are fastened to the trusses by self-tapping
5 screws.

12. A roof as set forth in claim 11 wherein the roofing is secured to the webs.

13. A roof as set forth in claim 12 wherein the roofing is corrugated sheet metal roofing fastened to the
10 webs by self-tapping screws.

14. A roof as set forth in claim 6 wherein the trusses are sheet metal trusses and the webs are secured thereto.

15. A roof as set forth in claim 14 wherein the webs are fastened to the trusses by self-tapping screws.

15 16. Bracing for application extending lengthwise of the junction of two dihedral roof surfaces where they meet at a dihedral angle determined by trusses in a roof framing system, said bracing comprising a strip of about 16 gauge sheet metal formed with a longitudinally extending web and a
20 flange extending from the web at a longitudinally extending edge of the web, the flange and web of the bracing meeting at said edge at a predetermined angle, the web being bendable in the field at said edge to different angles relative to the flange, wherein each brace is formed with a
25 lip on a free edge of its flange extending over the web of the brace and stiffening the brace, said bracing being adapted for receiving roofing sections and providing support and rigidity against loads applied to such roofing sections, said bracing being applicable to said junction for generally
30 flatwise engagement of the web with said trusses and securement of the web to the trusses.

FIG. 2

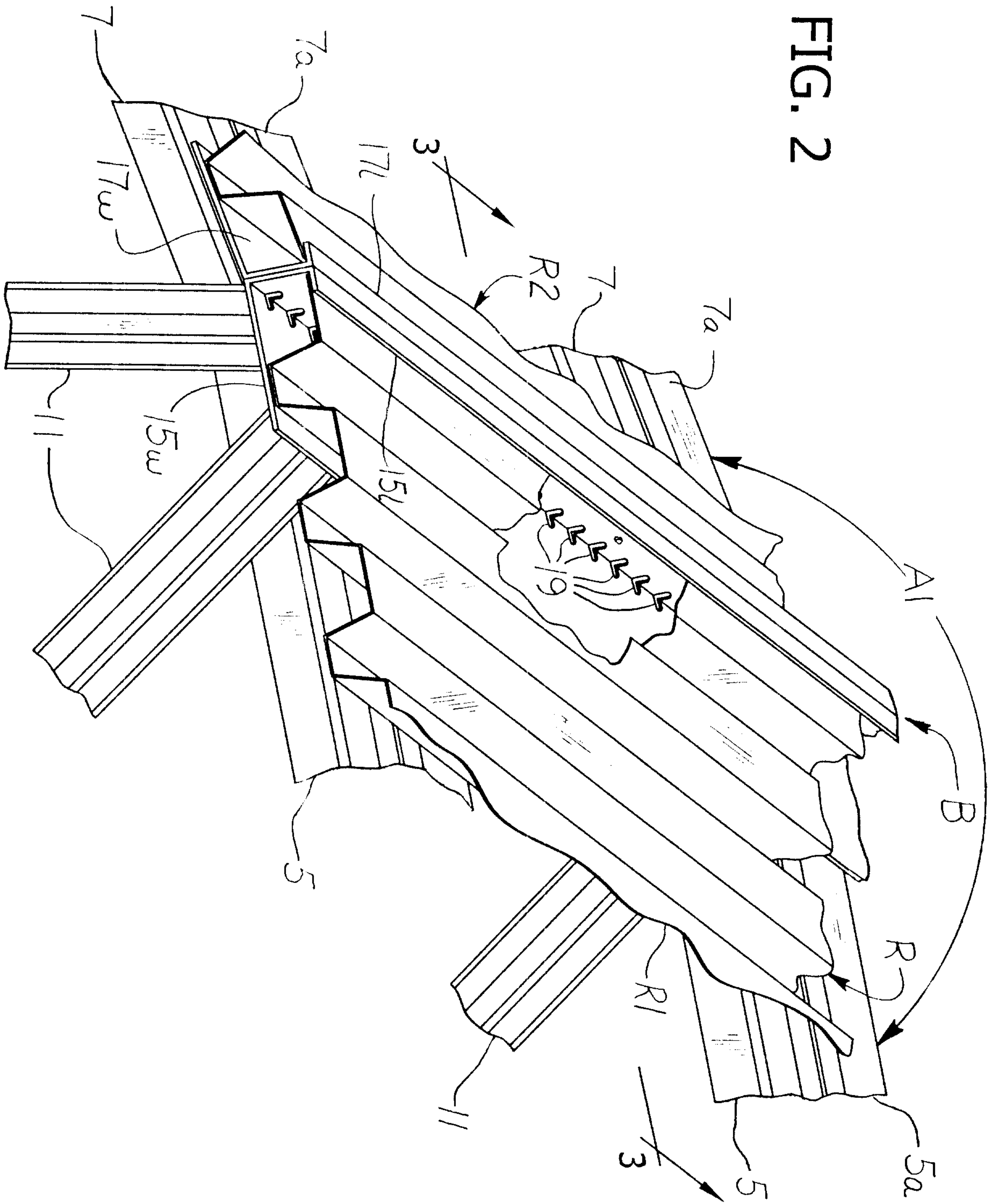


FIG. 3

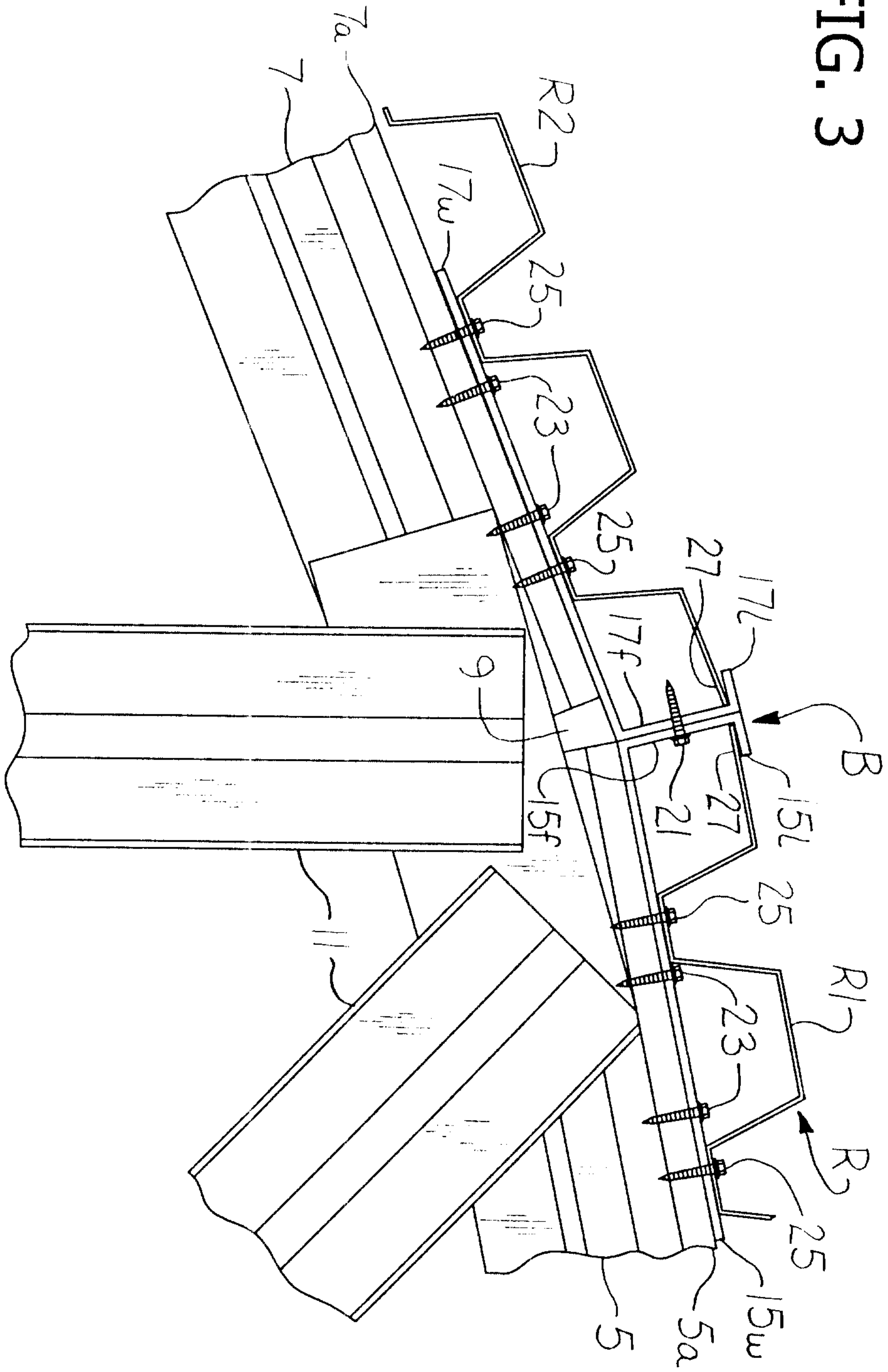


FIG. 5

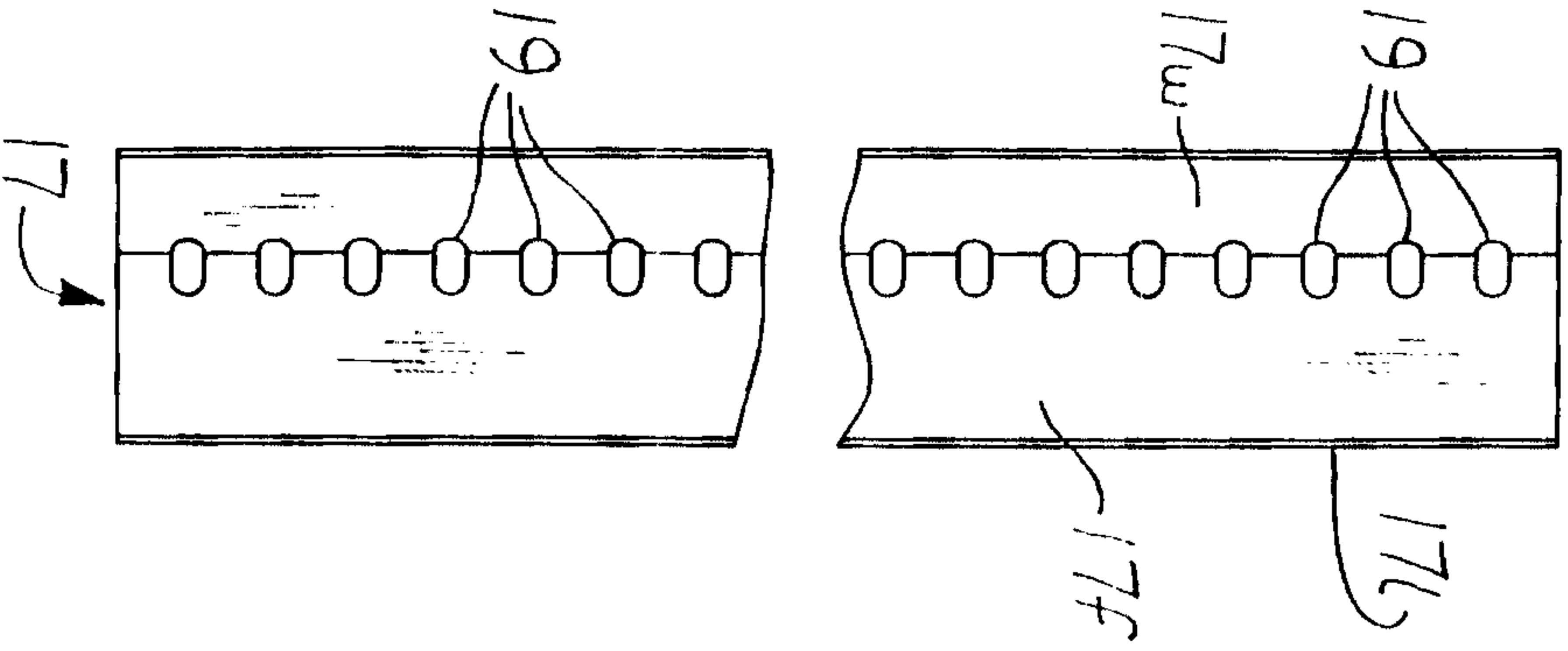


FIG. 4

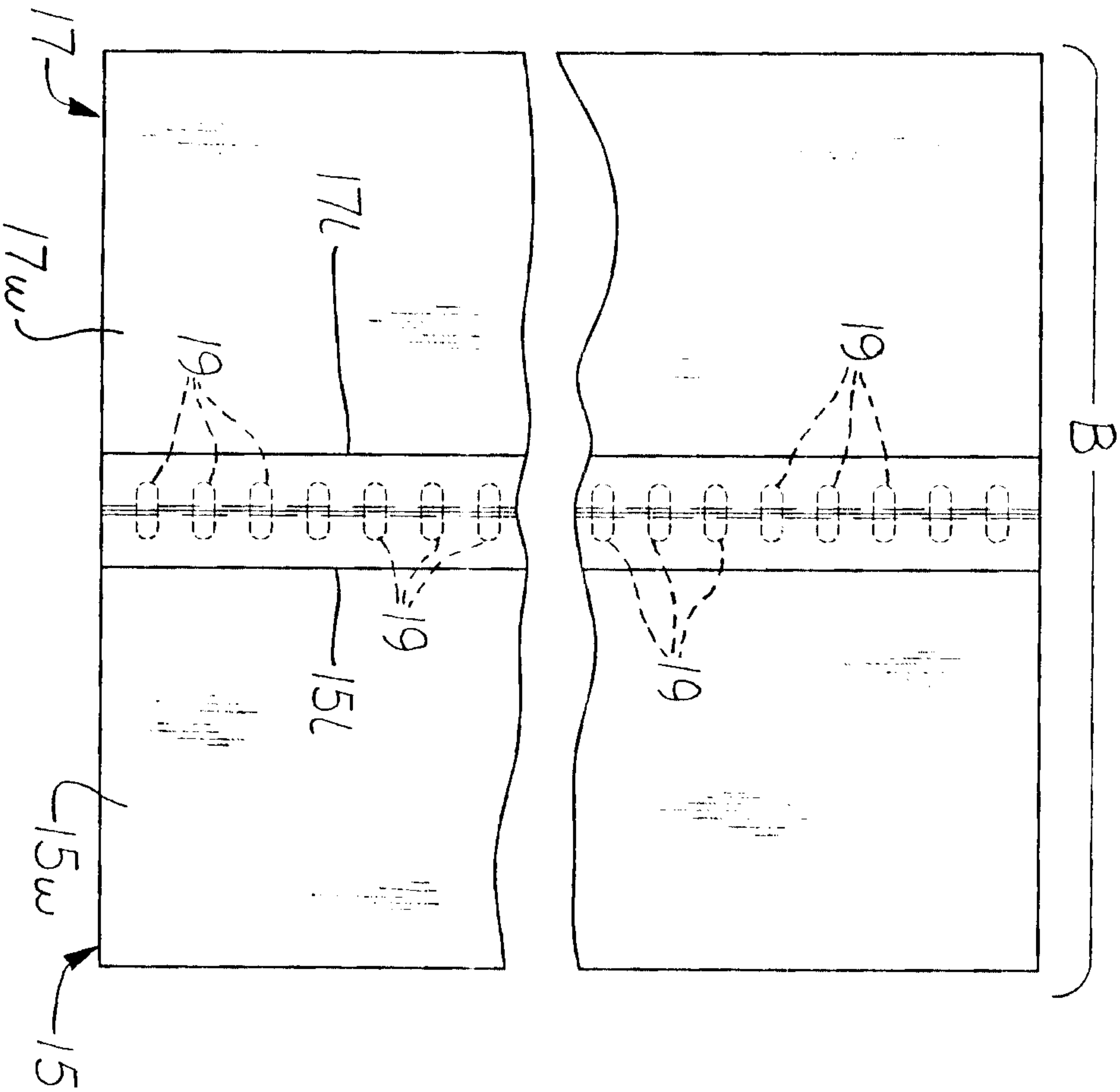


FIG. 6

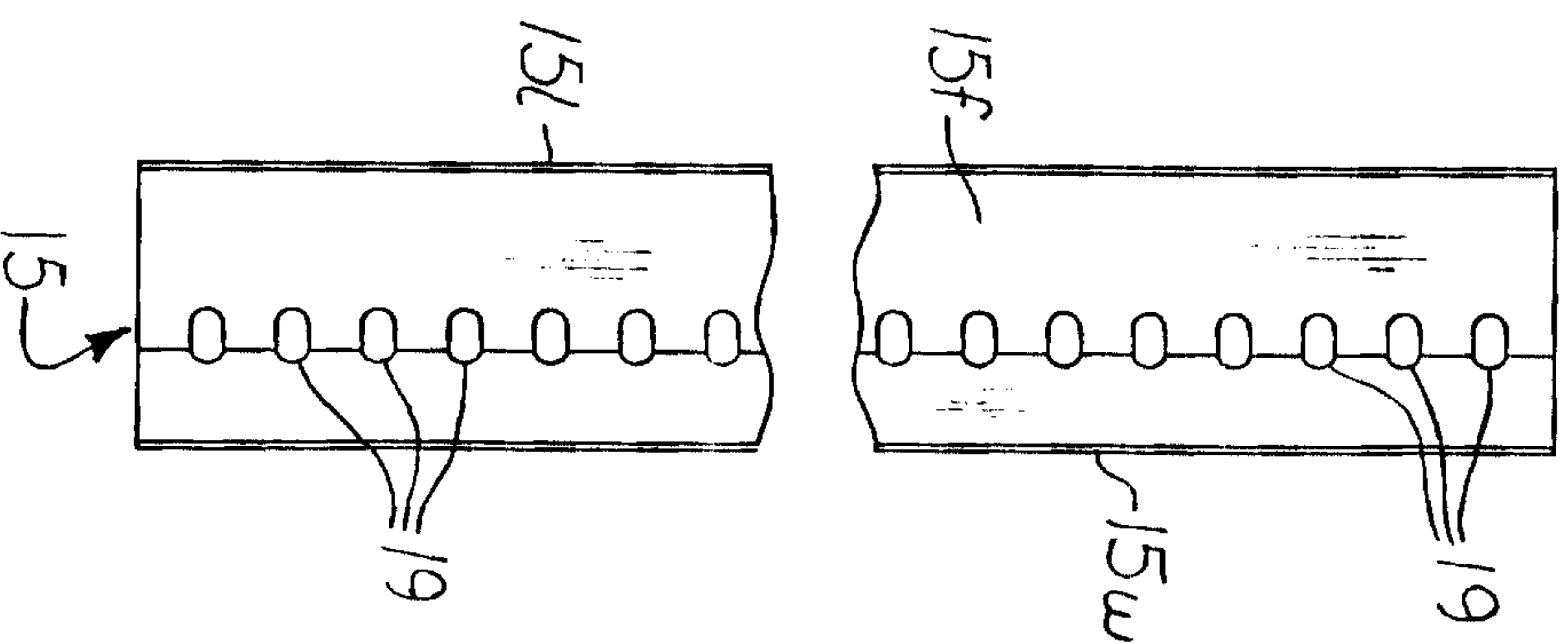


FIG. 7

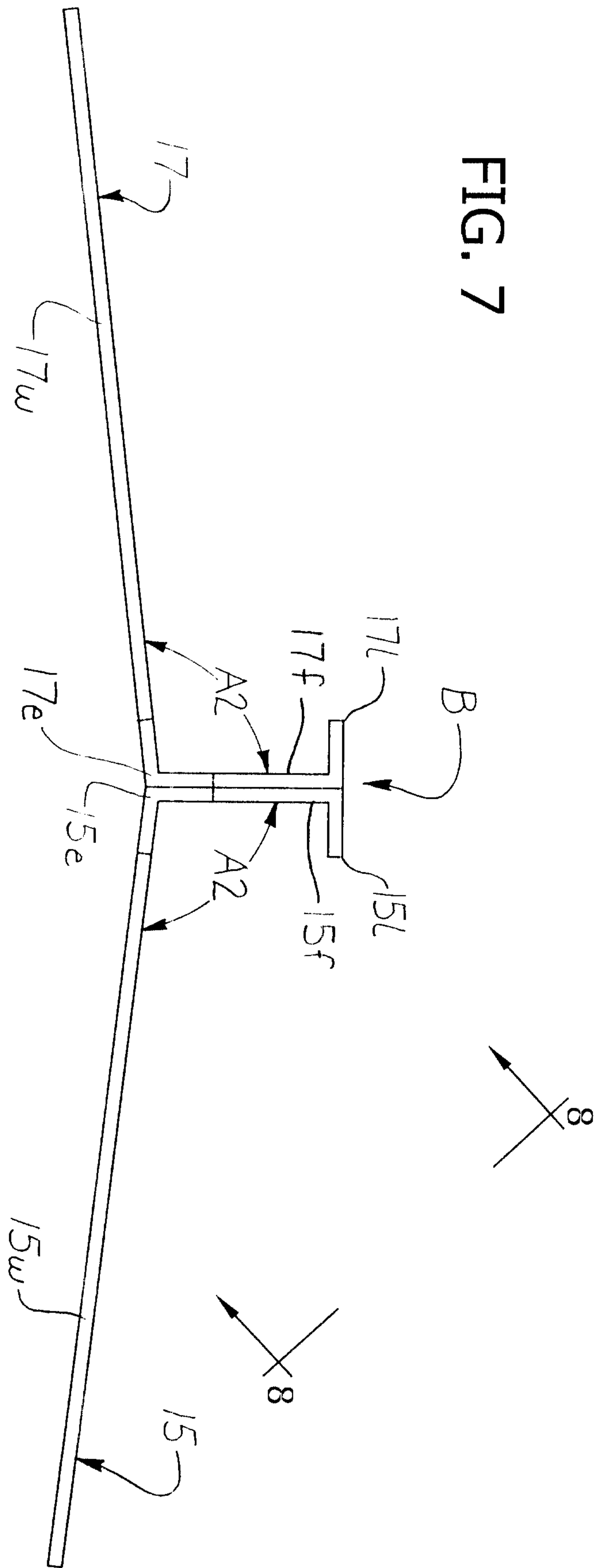


FIG. 8

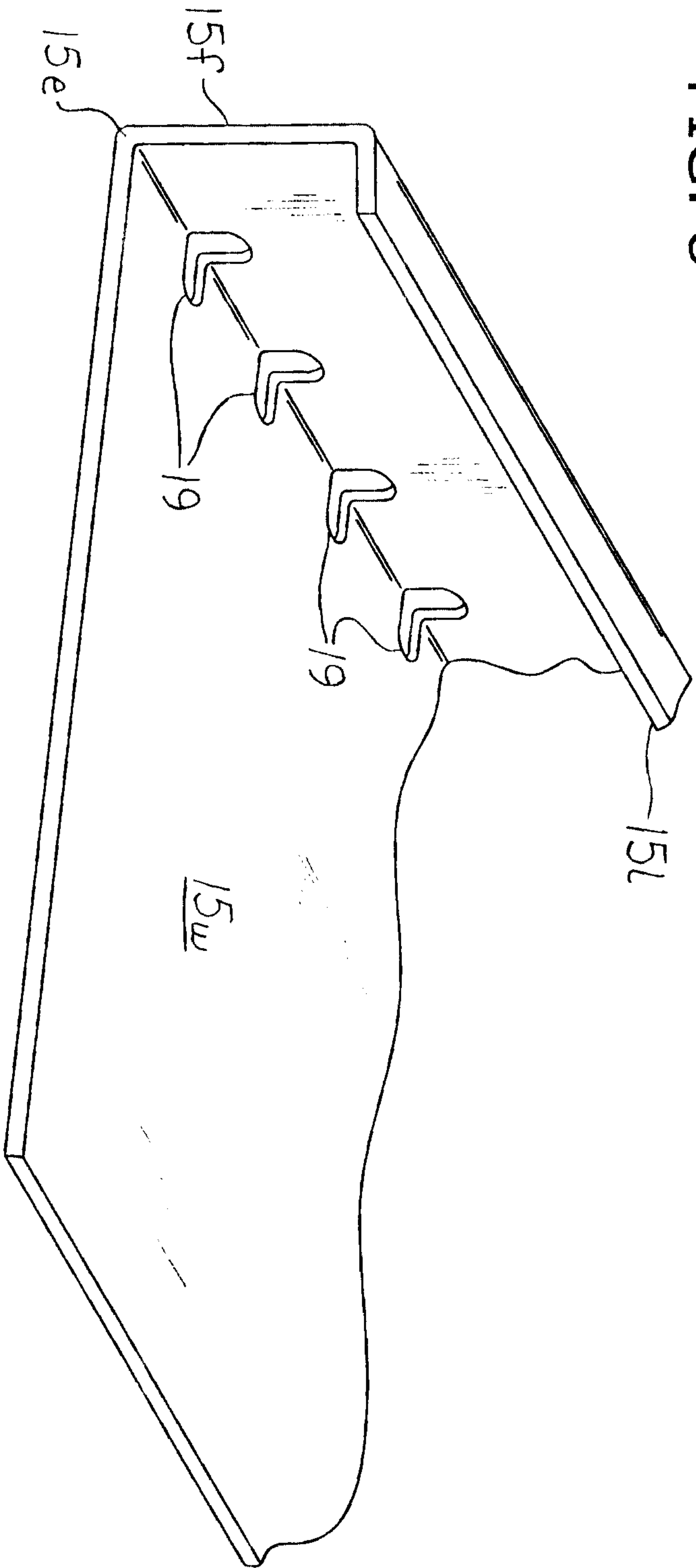


FIG. 9

