



US00D747682S

(12) **United States Design Patent**  
**Leabman**

(10) **Patent No.:** **US D747,682 S**

(45) **Date of Patent:** **\*\* Jan. 19, 2016**

(54) **WALL-MOUNTED WIRELESS POWER TRANSMITTER WITH FOLDING WINGS**

(71) Applicant: **Michael A. Leabman**, San Ramon, CA (US)

(72) Inventor: **Michael A. Leabman**, San Ramon, CA (US)

(73) Assignee: **ENERGOUS CORPORATION**, San Jose, CA (US)

(\*\*) Term: **14 Years**

(21) Appl. No.: **29/498,690**

(22) Filed: **Aug. 6, 2014**

(51) **LOC (10) Cl.** ..... **13-02**

(52) **U.S. Cl.**

USPC ..... **D13/108; D14/240**

(58) **Field of Classification Search**

USPC ..... D14/242, 240, 435.1, 357, 358, D14/140-140.9, 155, 137, 139, 243, 348, D14/349, 351, 354, 355; D13/102-110, D13/118-119, 184, 199

CPC ..... H04L 12/00; H03K 17/00; H04W 88/00; H04W 88/005; H04W 88/02; H04W 88/08; H04W 88/085; H04W 88/10; H04W 88/12; H04W 88/14; H04B 1/38; Y02T 90/14; Y02T 90/122; Y02T 90/128; Y02T 90/163; H02J 7/025; H02J 7/0042; H02J 7/0044; H02J 7/0045; H02J 7/0003; H02J 7/00; H02J 7/0011; H02J 7/0013; H02J 7/0054; H02J 7/0055; H02J 7/0057; H02J 2007/0062; H01F 38/14; H01R 13/6675; Y02E 60/10; Y02E 60/12; Y02E 60/122; Y02E 60/124; Y02E 60/50; H01M 2/02; H01M 2/022; H01M 2/0202; H01M 2/0207; H01M 2/0212; H01M 2/1061; H01M 2/1022; H01M 2/1055; H01M 2/1066; H01M 2/105; H01M 2/20; H01M 2/202; H01M 2/204; H01M 2/206; H01M 10/44; H01M 10/46; H01M 10/465; H01M 10/482; H01M 10/425; H01M 2200/30; H01M 2250/30; H01M 2250/40; B60L 11/182

See application file for complete search history.

(56) **References Cited**

U.S. PATENT DOCUMENTS

D247,619	S	*	3/1978	Edgell	.....	D13/103
D367,257	S	*	2/1996	Buelow	.....	D13/110
5,611,701	A	*	3/1997	Hahn	.....	H01R 24/66 439/131
D471,540	S	*	3/2003	Tomino	.....	D14/240
D596,562	S	*	7/2009	Hong	.....	D13/108
D603,834	S	*	11/2009	Lyman	.....	D14/155
D621,391	S	*	8/2010	Douglas	.....	D14/240
D621,780	S	*	8/2010	Ferber	.....	D13/108
D638,356	S	*	5/2011	Chen	.....	D13/110
D652,381	S	*	1/2012	Tien	.....	D13/110
D669,029	S	*	10/2012	Huang	.....	D13/110
D686,152	S	*	7/2013	Lee	.....	D13/103
D687,374	S	*	8/2013	Biedermann	.....	D13/108
D687,375	S	*	8/2013	Franco	.....	D13/108

(Continued)

*Primary Examiner* — Rosemary K Tarcza

*Assistant Examiner* — Sanjeev Paul

(74) *Attorney, Agent, or Firm* — Eric L. Sophir; Dentons US LLP

(57) **CLAIM**

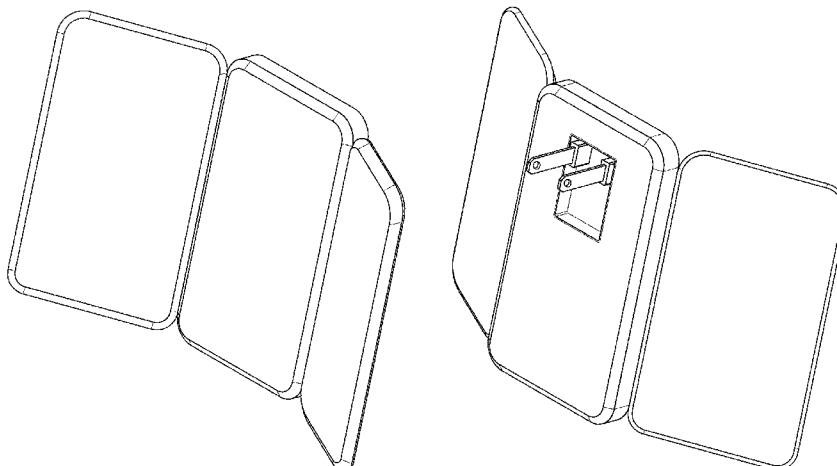
The ornamental design for a wall-mounted wireless power transmitter with folding wings, as shown and described.

**DESCRIPTION**

FIG. 1 is a front perspective view of a wall-mounted wireless power transmitter with folding wings; FIG. 2 is a rear perspective view of a wall-mounted wireless power transmitter with folding wings; FIG. 3 is top view of a wall-mounted wireless power transmitter with folding wings; and, FIG. 4 is a side view of FIG. 1.

Applicant disclaims those portions of the antenna arrangement not shown in the drawings as forming no part of the claimed design. Those portions of the wireless power transmitter shown in broken lines in the drawing form no part of the claimed design.

**1 Claim, 3 Drawing Sheets**



# US D747,682 S

Page 2

---

(56)

## References Cited

### U.S. PATENT DOCUMENTS

D693,798 S \* 11/2013 Chuang ..... D14/240  
D707,666 S \* 6/2014 Ting ..... D14/240

D720,691 S \* 1/2015 Lo ..... D13/110  
D731,419 S \* 6/2015 Kao ..... D13/108  
D734,255 S \* 7/2015 Leidel ..... D13/108

\* cited by examiner

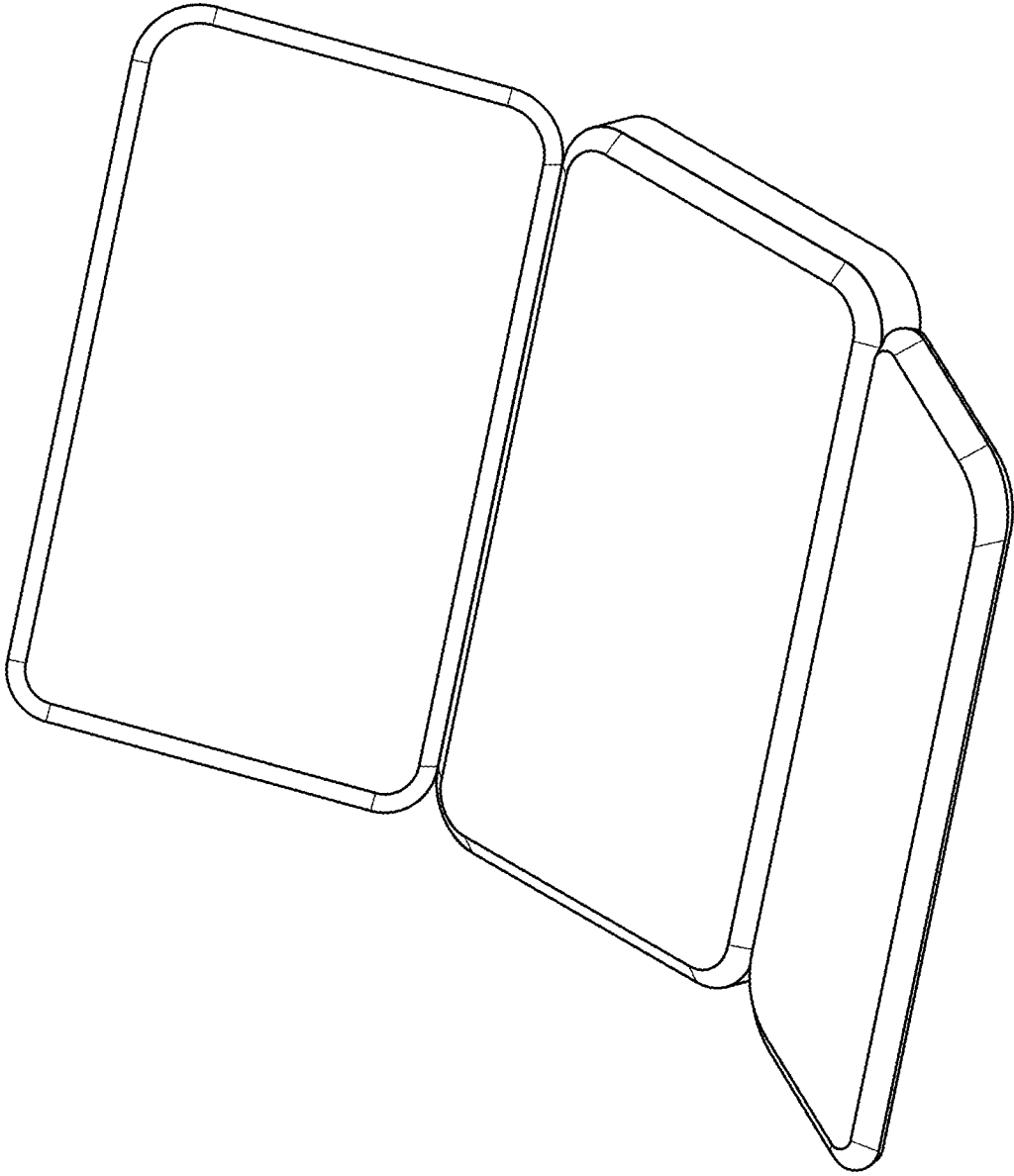


FIG. 1

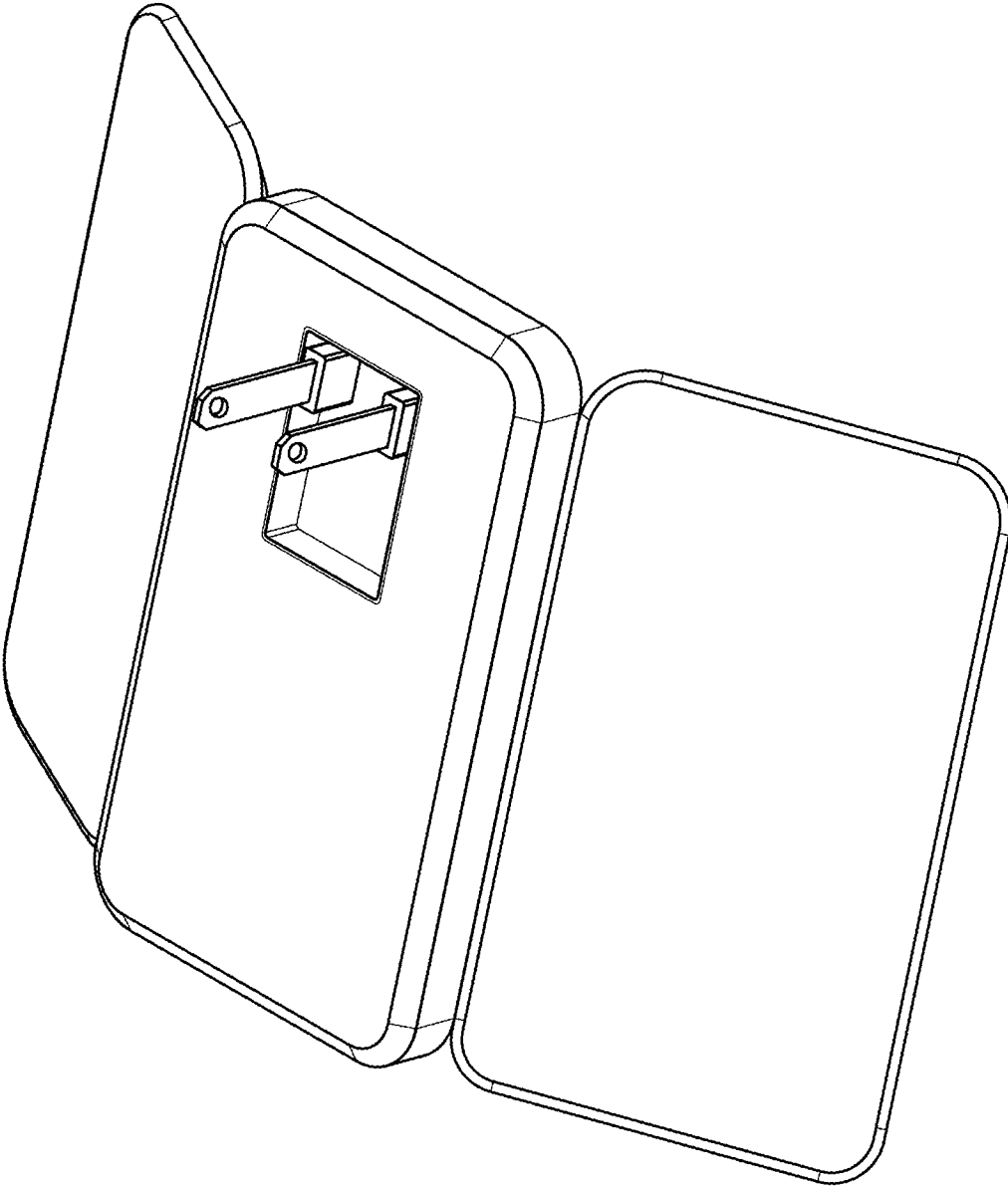


FIG. 2

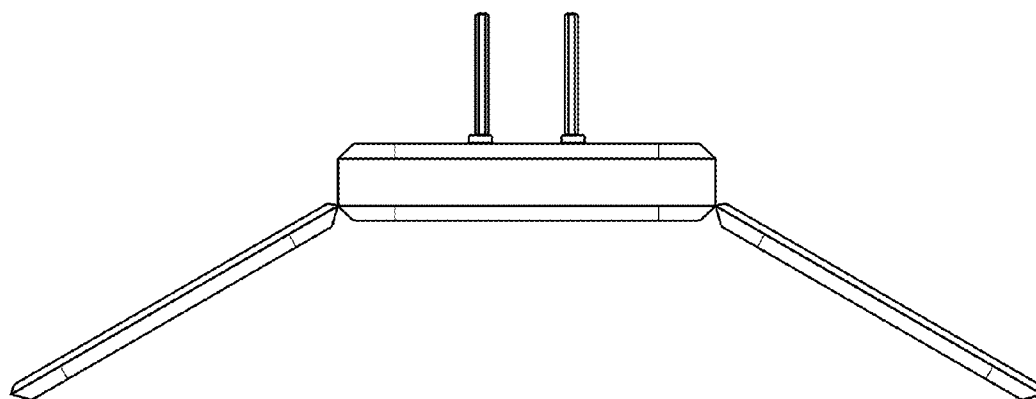


FIG. 3

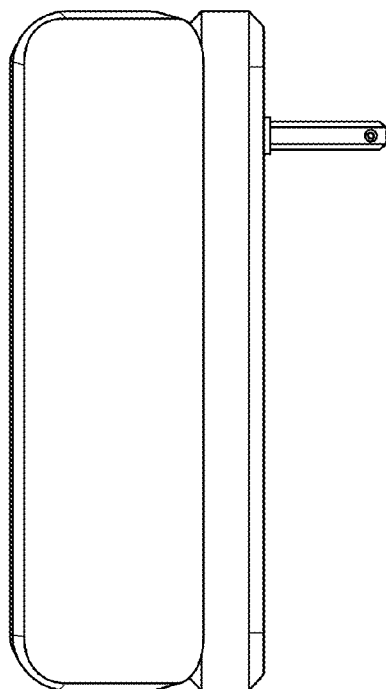


FIG. 4