

[54] ADJUSTABLE DOCUMENT HOLDER CLIP

[75] Inventor: Thomas W. Judd, Peterborough, N.H.

[73] Assignee: Curtis Manufacturing Company, Inc., Jaffrey, N.H.

[**] Term: 14 Years

[21] Appl. No.: 171,922

[22] Filed: Mar. 22, 1988

[52] U.S. Cl. D19/88; D19/86

[58] Field of Search D19/88, 90, 91; D20/15; D21/54, 58; D25/74; 248/441, 442.2, 447.2, 451; 40/341, 349, 350, 352

[56] References Cited

U.S. PATENT DOCUMENTS

D. 279,197	6/1985	Chi Hung	D18/2
D. 284,976	8/1986	Hung	D18/2
1,060,795	5/1913	Smith	248/442.2
4,582,285	4/1986	Belto	248/442.2
4,747,572	5/1988	Weber	248/442.2
4,767,093	8/1988	Jones	248/442.2

OTHER PUBLICATIONS

"Ultimate Computer Supplies", Oct. 1988, p. 21.

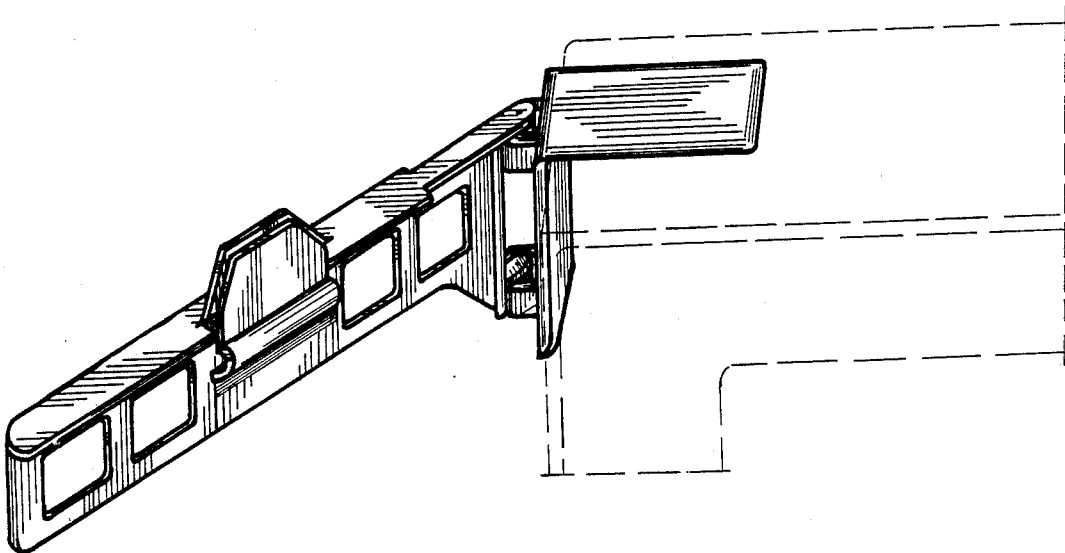
Primary Examiner—Bruce W. Dunkins
Assistant Examiner—Martha Thompson
Attorney, Agent, or Firm—Richard P. Crowley

[57] CLAIM

The ornamental design for adjustable document holder clip, as shown and described.

DESCRIPTION

FIG. 1 is a perspective view of an adjustable document holder clip showing my new design; FIG. 2 is a front elevational view in an alternate position; FIG. 3 is a rear elevational view with respect to FIG. 2; FIG. 4 is a top plan view with respect to FIG. 2; FIG. 5 is a bottom plan view with respect to FIG. 2; FIG. 6 is a left side elevational view with respect to FIG. 2; and FIG. 7 is a right side elevational view thereof. The display monitor depicted by means of broken lines in FIG. 1 is for illustrative purposes only.



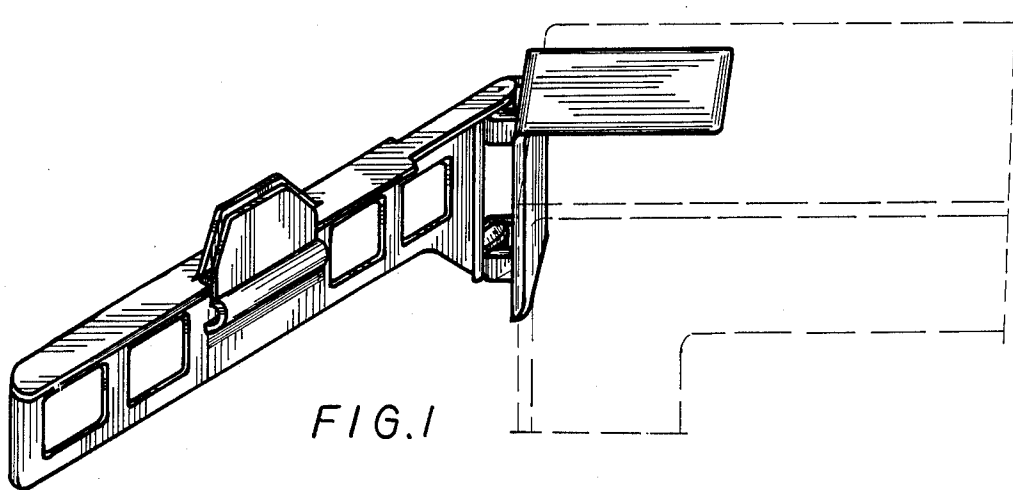


FIG. 1

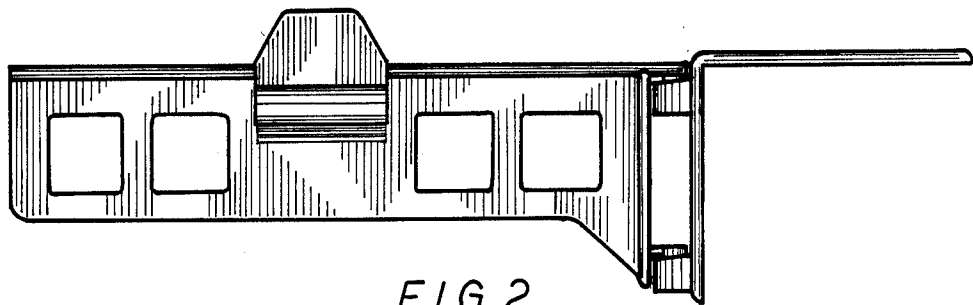


FIG. 2

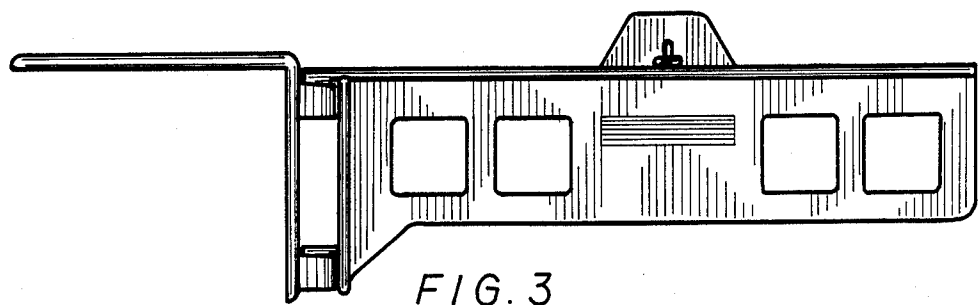


FIG. 3

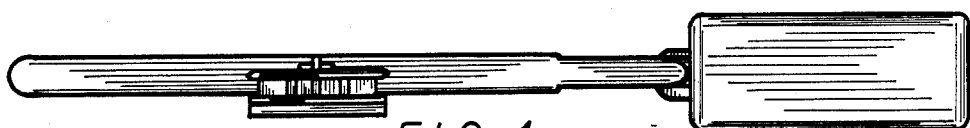


FIG. 4

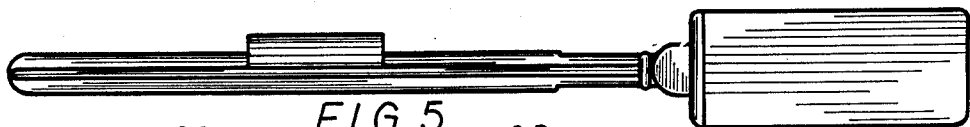


FIG. 5

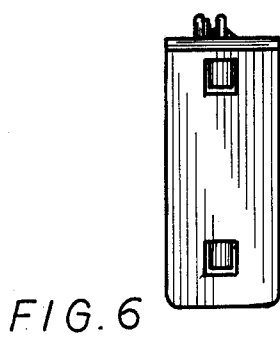


FIG. 6

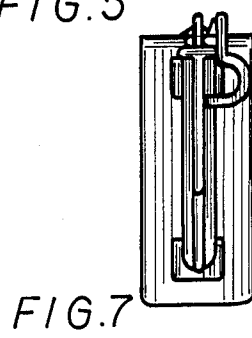


FIG. 7