



US00D991604S

(12) **United States Design Patent**
Bloemendaal et al.

(10) **Patent No.:** **US D991,604 S**
(45) **Date of Patent:** **** Jul. 4, 2023**

- (54) **BODY FOR A FLOOR CLEANER**
- (71) Applicant: **BISSELL Inc.**, Grand Rapids, MI (US)
- (72) Inventors: **Colin J. Bloemendaal**, Grand Rapids, MI (US); **Tom Minh Nguyen**, Grand Rapids, MI (US)
- (73) Assignee: **BISSELL Inc.**, Grand Rapids, MI (US)
- (**) Term: **15 Years**
- (21) Appl. No.: **29/780,672**

D781,014 S	3/2017	Wu et al.	
D790,142 S *	6/2017	Carr	D32/31
D791,421 S	7/2017	Wu et al.	
D882,893 S *	4/2020	Hooley	D32/31
D910,945 S	2/2021	Miller et al.	
D917,810 S	4/2021	Knapp et al.	
D926,405 S *	7/2021	Haverkamp	D32/22
D929,053 S *	8/2021	Dong	D32/22
2017/0119225 A1 *	5/2017	Xia	A47L 11/4044

(Continued)

FOREIGN PATENT DOCUMENTS

EM 008696454-0006 * 4/2021

OTHER PUBLICATIONS

Amazon.com Bissell Crosswave X7 Cordless Pet Pro https://www.amazon.com/CrossWave-Cordless-Multi-Surface-Connectivity-3279/dp/B09Q81PRM5/ref=cm_cr_ar_p_d_product_top (Year: 2022).*

Primary Examiner — Kevin K Rudzinski
Assistant Examiner — Richard E Yenchesky
(74) *Attorney, Agent, or Firm* — Warner Norcross + Judd LLP

(57) **CLAIM**

The ornamental design for a body for a floor cleaner, as shown and described.

DESCRIPTION

FIG. 1 is a front perspective view of the body for a floor cleaner;
FIG. 2 is a rear perspective view thereof;
FIG. 3 is a front view thereof;
FIG. 4 is a rear view thereof;
FIG. 5 is a right side view thereof;
FIG. 6 is a left side view thereof;
FIG. 7 is a top view thereof; and,
FIG. 8 is a bottom view thereof.
The details of the body for a floor cleaner shown in broken lines form no part of the claimed design.

1 Claim, 5 Drawing Sheets

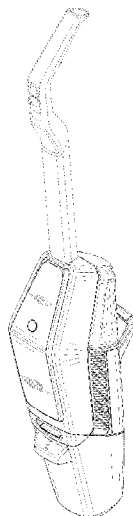
- (22) Filed: **Apr. 26, 2021**
- (51) **LOC (14) Cl.** **15-05**
- (52) **U.S. Cl.**
USPC **D32/31**
- (58) **Field of Classification Search**
USPC D4/122, 127, 128, 131-133; D8/383, D8/385-387, 394, 397, 399; D32/1, 3, D32/13, 17-19, 24, 25, 27, 29, 30-32, 35
CPC A47L 11/40; A47L 11/302; A47L 11/4016; A47L 2201/022; A47L 11/4083; A47L 11/4072; A47L 11/4088; A47L 11/5005; A47L 11/30; A47L 9/30; A47L 5/24; A47L 5/26; A47L 9/2868; A47L 9/00; A47L 11/00; A47L 9/32; A47L 9/322; A47L 9/325; A47L 9/327; A47L 11/401; A47L 5/30; A47L 5/32; A47L 5/36; A47L 9/0477; A47L 9/24; A47L 9/242; A47L 9/248; A47L 9/0444; A47L 7/0004; A47L 11/4058

See application file for complete search history.

(56) **References Cited**

U.S. PATENT DOCUMENTS

D359,604 S *	6/1995	Sovis	D32/22
D361,181 S *	8/1995	Wareham	D32/31
D365,179 S *	12/1995	Bradd	D32/34
D562,510 S *	2/2008	Hahn	D32/22
D728,878 S *	5/2015	Johnson	D32/31



(56)

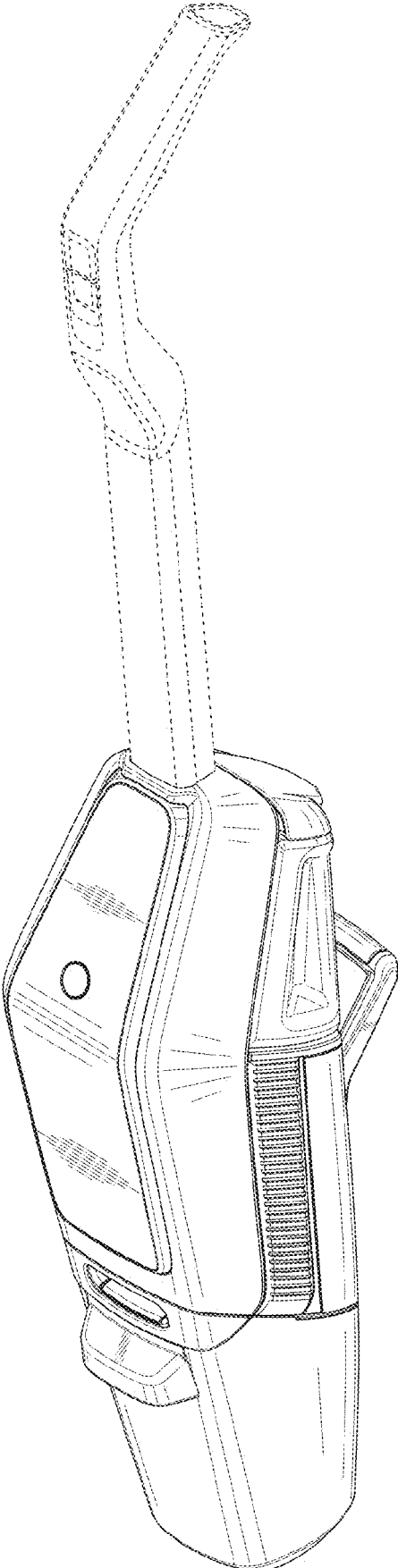
References Cited

U.S. PATENT DOCUMENTS

2020/0060503	A1*	2/2020	Davila	A47L 11/201
2021/0093143	A1*	4/2021	Nguyen	A47L 11/4016
2021/0186291	A1*	6/2021	Nguyen	A47L 11/302

* cited by examiner

FIG. 1



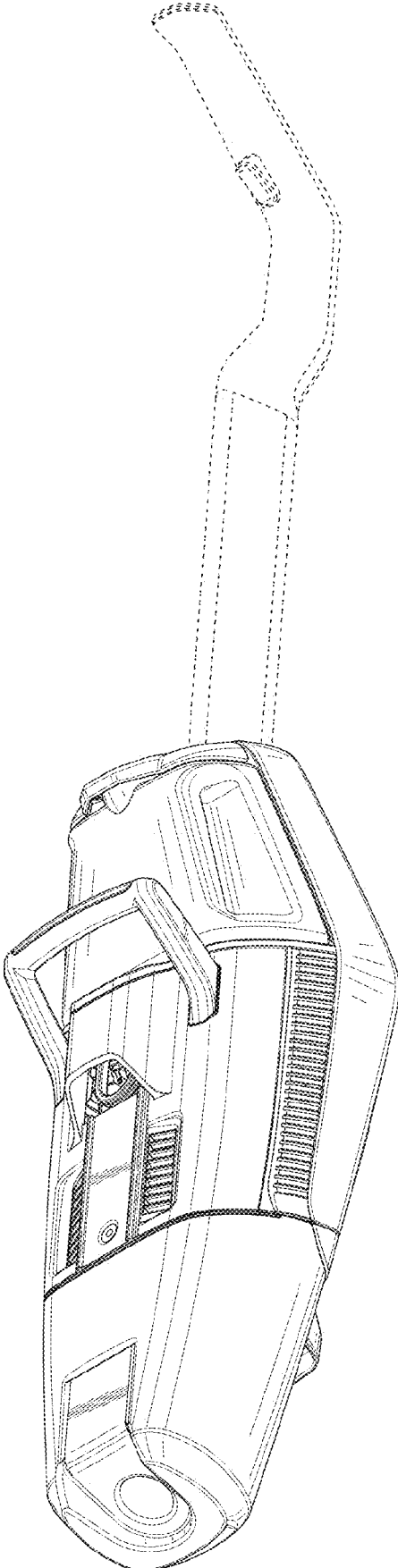
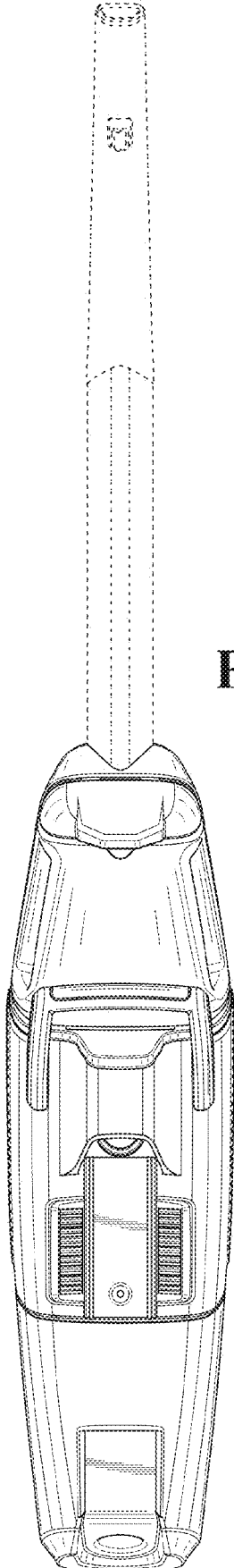
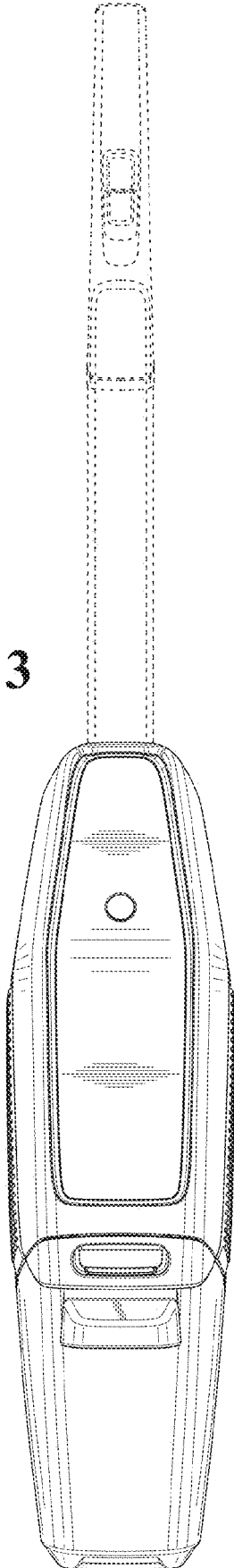


FIG. 2



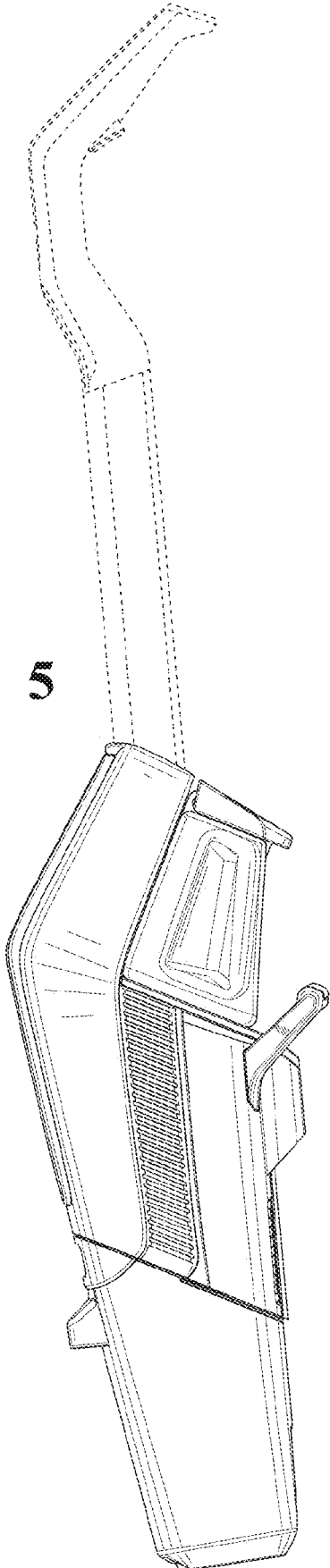


FIG. 5

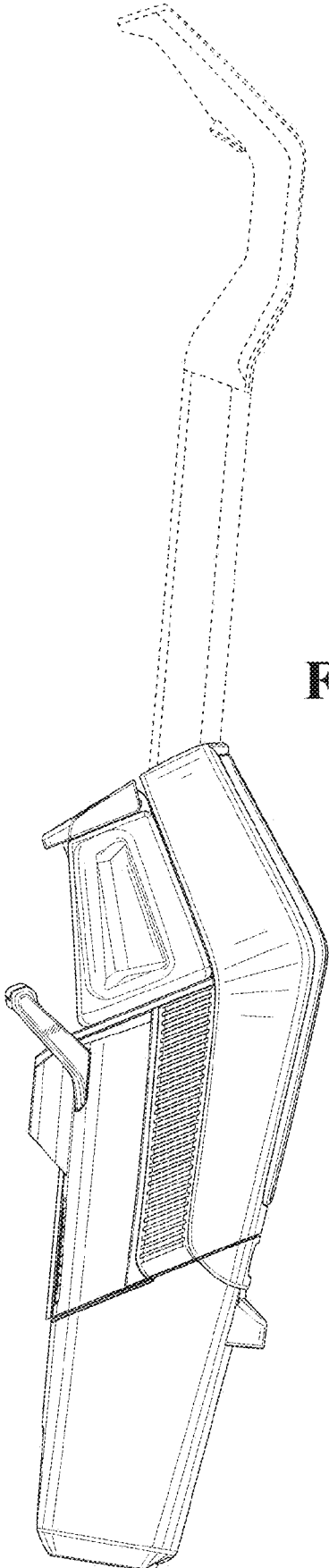


FIG. 6

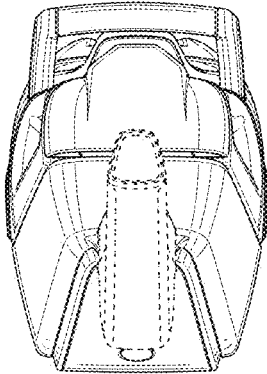


FIG. 7

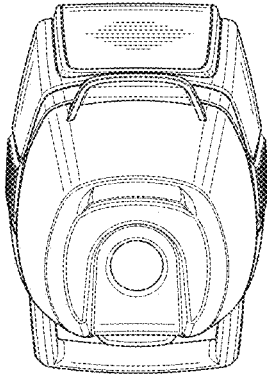


FIG. 8