



US00RE37713E

(19) **United States**  
(12) **Reissued Patent**  
**Pearson et al.**

(10) **Patent Number:** **US RE37,713 E**  
(45) **Date of Reissued Patent:** **May 28, 2002**

- (54) **TEST RESULT READER**
- (75) Inventors: **Michael Thomas Pearson; Kishen Gohil**, both of Surrey (GB)
- (73) Assignee: **Unipath Limited**, Basingstoke (GB)
- (21) Appl. No.: **29/107,620**
- (22) Filed: **Sep. 3, 1999**

D328,135 S \* 7/1992 Fan et al. .... D24/223  
 D338,275 S \* 8/1993 Fischer et al. .... D24/232  
 D359,125 S \* 6/1995 Livingston ..... D24/223

\* cited by examiner

*Primary Examiner*—Stella Reid  
(74) *Attorney, Agent, or Firm*—Pillsbury Winthrop LLP

(57) **CLAIM**

The ornamental design for a [pregnancy] test result reader, as shown and described.

**Related U.S. Patent Documents**

Reissue of:

- (64) Patent No.: **Des. 380,837**
- Issued: **Jul. 8, 1997**
- Appl. No.: **29/036,578**
- Filed: **Mar. 22, 1995**

(30) **Foreign Application Priority Data**

Sep. 23, 1994 (GB) ..... 2042112

- (51) **LOC (6) Cl.** ..... **24-01**
- (52) **U.S. Cl.** ..... **D24/223**
- (58) **Field of Search** ..... D24/223, 224, D24/225, 186, 185, 232; D10/81; 422/61, 62, 50, 68.1; 435/810, 806

**DESCRIPTION**

FIG. 1 is a front perspective view from above and one side, showing the [pregnancy] test result reader with lid opened; FIG. 2 is a view of the other side; FIG. 3 is a rear view; and, FIG. 4 is a bottom plan view.

**1 Claim, 2 Drawing Sheets**

(56) **References Cited**

**U.S. PATENT DOCUMENTS**

D319,103 S \* 8/1991 Chiu ..... D24/223

**Matter enclosed in heavy brackets [ ] appears in the original patent, but forms no part of this reissue; matter printed in italics indicates the additions made by reissue.**

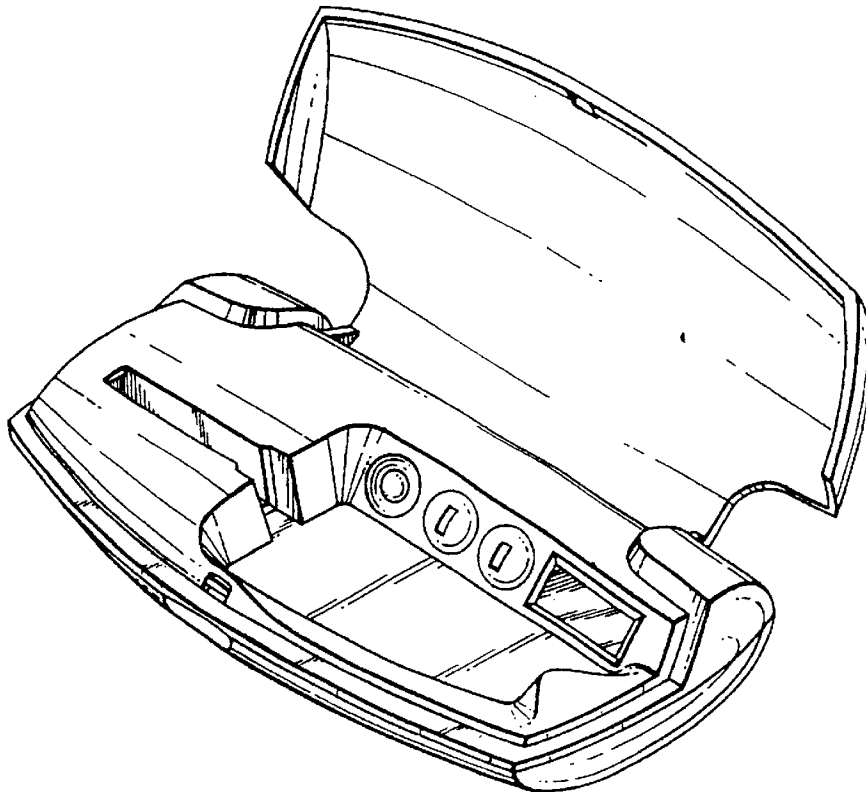


Fig.1.

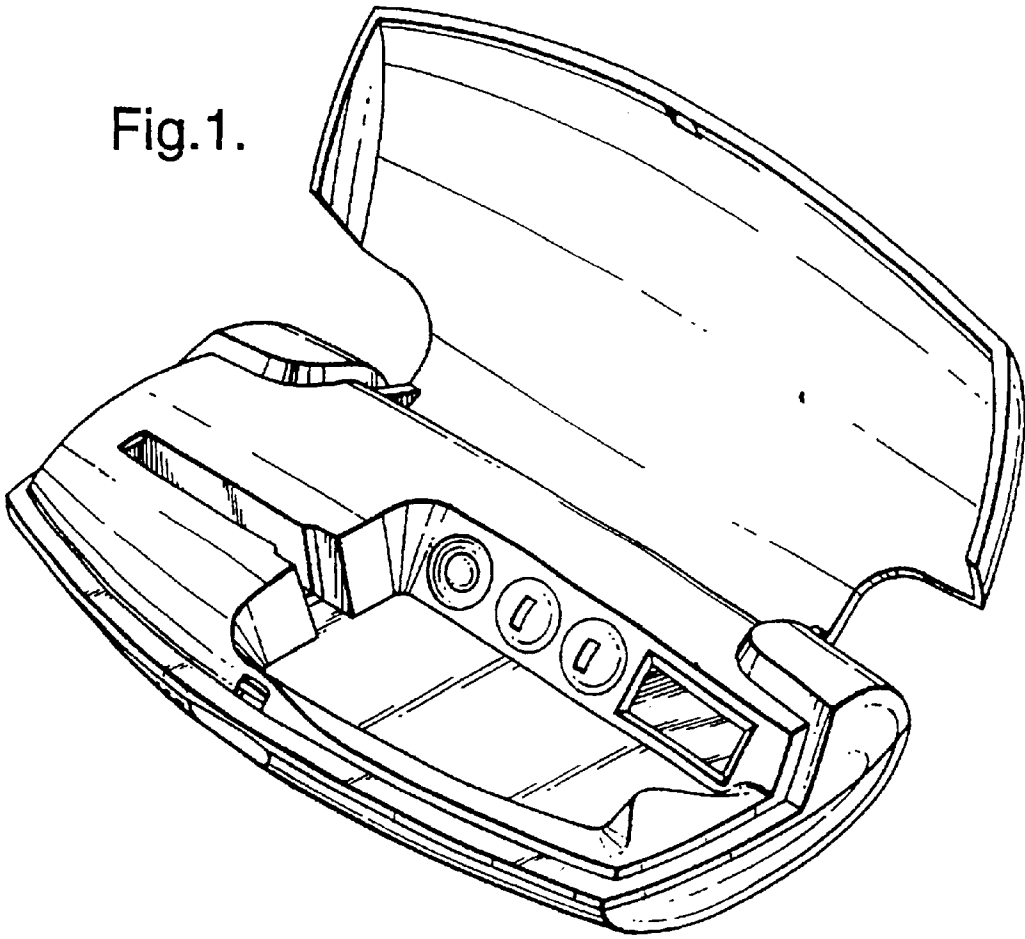


Fig.2.

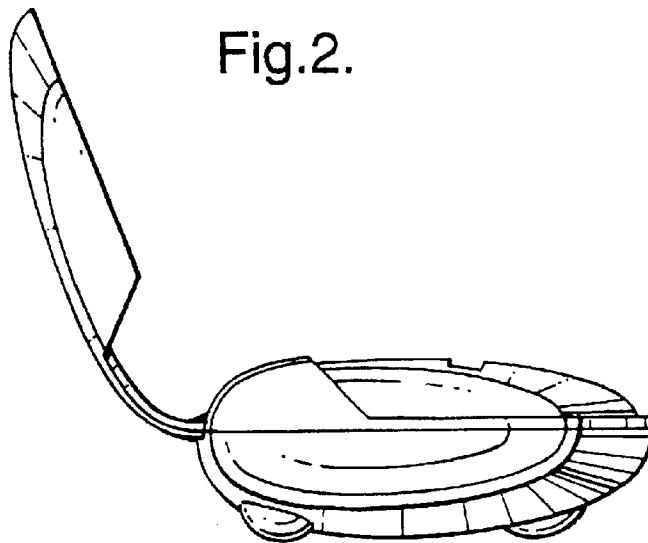


Fig.3.

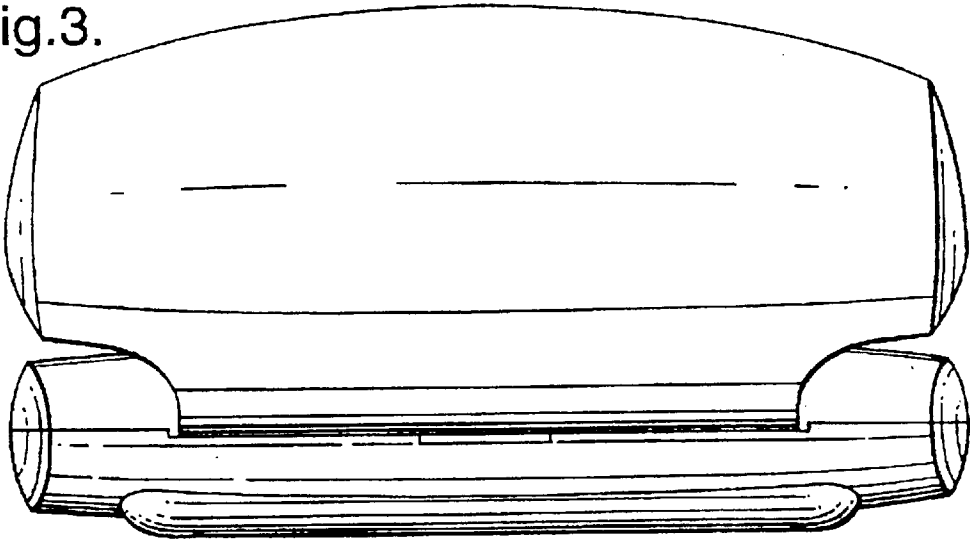


Fig.4.

