



US0D1024074S

(12) **United States Design Patent**
Ryu et al.

(10) **Patent No.:** **US D1,024,074 S**

(45) **Date of Patent:** **** Apr. 23, 2024**

(54) **MONITOR FOR MEDICAL PURPOSE**

D572,025 S * 7/2008 Kwon D14/371
D583,572 S * 12/2008 Zhai D14/371
D596,173 S * 7/2009 Arfin D14/371

(71) Applicant: **LG ELECTRONICS INC.**, Seoul (KR)

(Continued)

(72) Inventors: **Daihyung Ryu**, Seoul (KR); **Yongsoo Kim**, Seoul (KR)

FOREIGN PATENT DOCUMENTS

(73) Assignee: **LG ELECTRONICS INC.**, Seoul (KR)

CN 304504956 * 2/2018
KR 301185830.0000 * 10/2022

(Continued)

(**) Term: **15 Years**

OTHER PUBLICATIONS

(21) Appl. No.: **35/516,020**

27HK510S Full HD Surgical Monitor, LG, lg.com, published by LG, date unlisted © 2009-2023 LG Electronics, online, site visited Aug. 21, 2023. URL: <https://www.lg.com/us/business/surgical-monitors/lg-27HK510S> (Year: 2023).*

(22) Filed: **Jul. 19, 2022**

(Continued)

(80) **Hague Agreement Data**

Int. Filing Date: **Jul. 19, 2022**
Int. Reg. No.: **DM/223845**
Int. Reg. Date: **Jul. 19, 2022**
Int. Reg. Pub. Date: **Jan. 20, 2023**

Primary Examiner — Joshua Kading
Assistant Examiner — Altaira J Swangin
(74) *Attorney, Agent, or Firm* — Birch, Stewart, Kolasch & Birch, LLP

(30) **Foreign Application Priority Data**

Feb. 16, 2022 (KR) 30-2022-0006420

(57) **CLAIM**

The ornamental design for a monitor for medical purpose, as shown and described.

(51) **LOC (14) Cl.** **14-02**

(52) **U.S. Cl.**
USPC **D14/374**; D24/158; D24/186

DESCRIPTION

(58) **Field of Classification Search**
USPC D14/126, 305, 307, 315–319, 335–337, D14/339–340, 345, 371–386, 448, D14/451–452; D24/160, 186, 158; D20/20, 42
CPC .. H05K 5/0217; H05K 5/0204; G06F 1/1601; G06F 1/1654
See application file for complete search history.

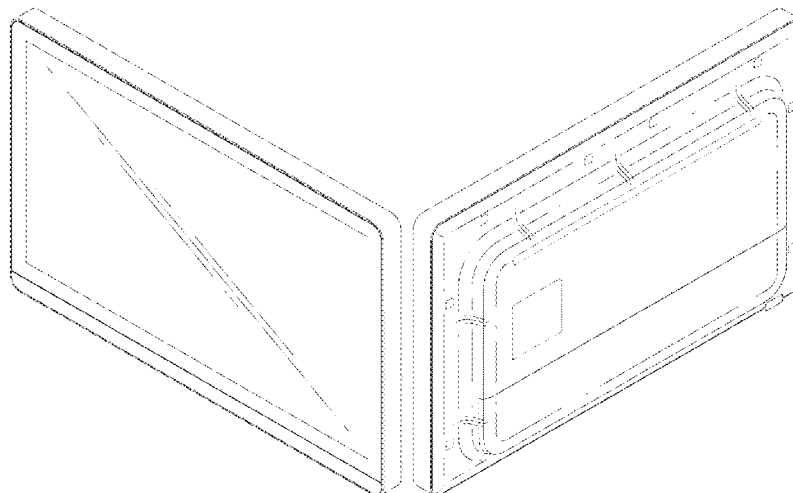
1. Monitor for medical purpose
1.1 : Front Perspective view
1.2 : Rear Perspective view
1.3 : Front Elevation
1.4 : Rear Elevation
1.5 : Left
1.6 : Right
1.7 : Top
1.8 : Bottom
The disclosed design is used as a surgical monitor. The broken lines indicate portions of the article that form no part of the claimed design.

(56) **References Cited**

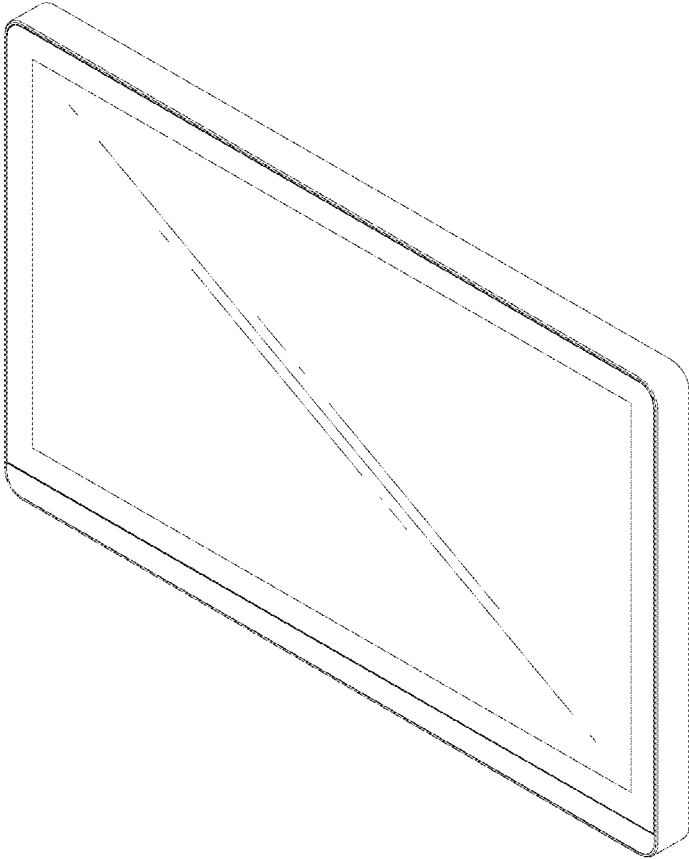
U.S. PATENT DOCUMENTS

D534,878 S * 1/2007 Ellison D14/126
D555,117 S * 11/2007 Tanaka D14/126

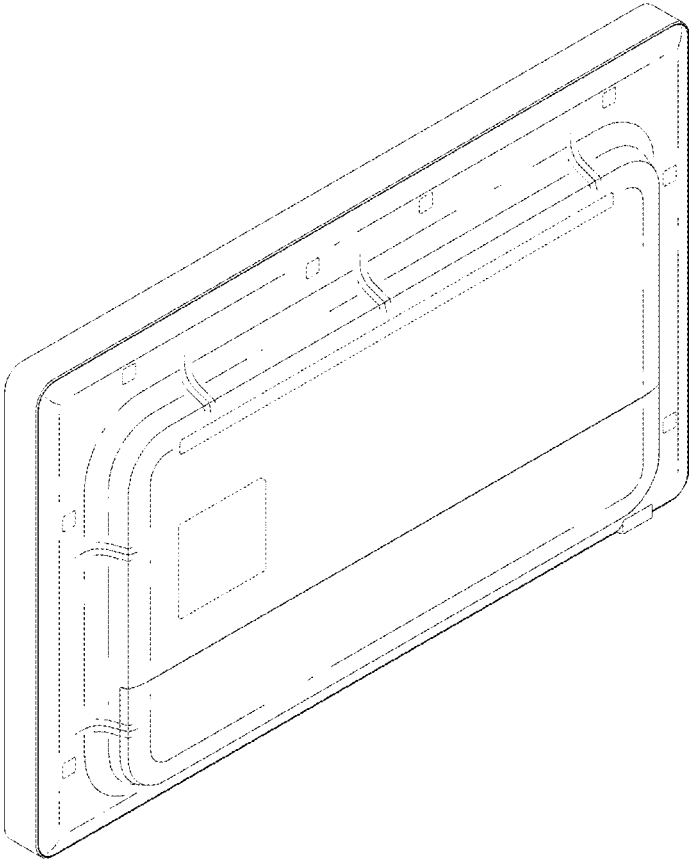
1 Claim, 8 Drawing Sheets



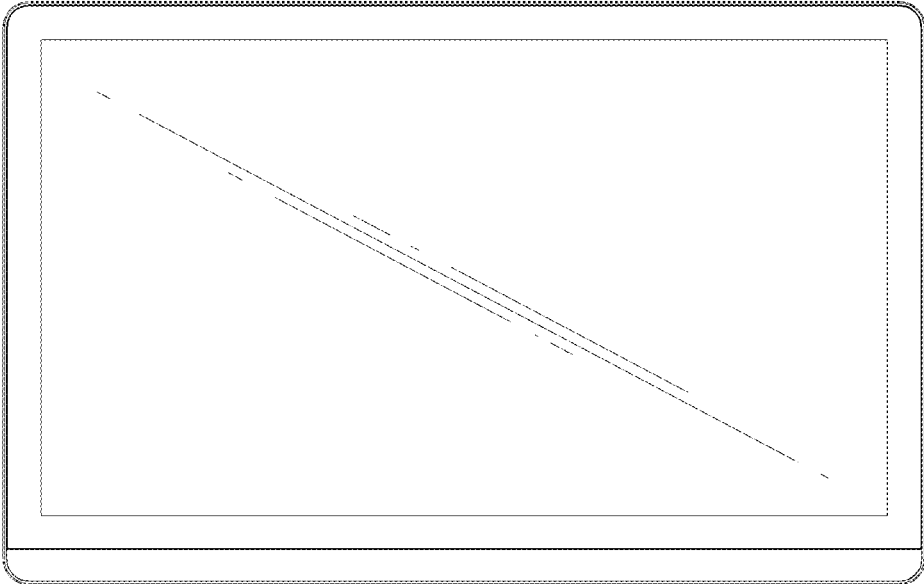
1.1



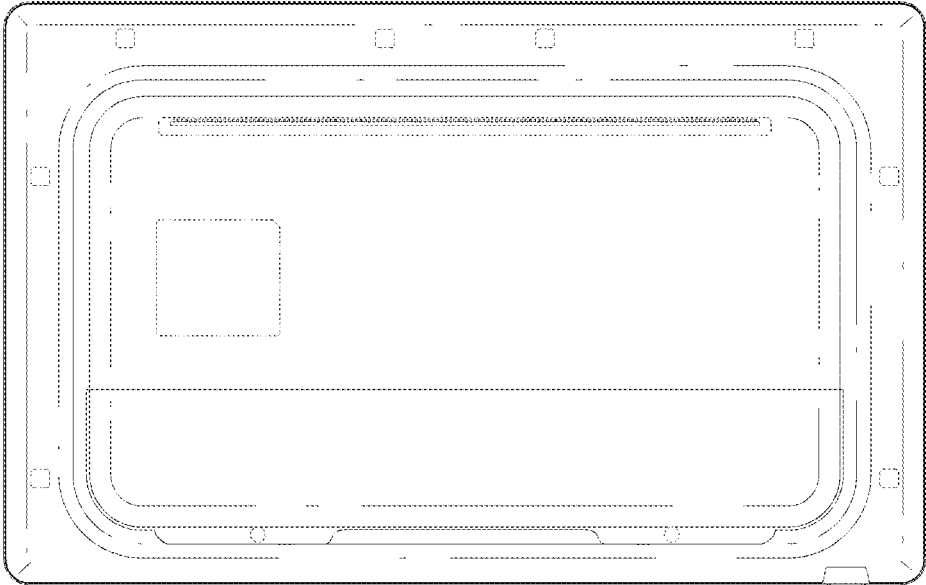
1.2



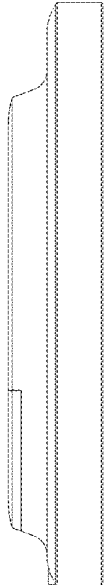
1.3



1.4



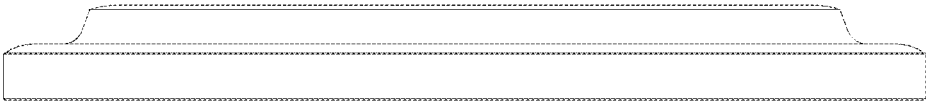
1.5



1.6



1.7



1.8

