



US00D715369S

(12) **United States Design Patent**  
**Carmack**

(10) **Patent No.:** **US D715,369 S**

(45) **Date of Patent:** **\*\* Oct. 14, 2014**

(54) **SET OF MOVEABLE INSTRUMENT PIECES FOR A MUSICAL TOY**

(75) Inventor: **Lisa Jobe Carmack**, Holliston, MA (US)

(73) Assignee: **Maison Joseph Battat Ltd.**, Montreal, Quebec (CA)

(\*\*) Term: **14 Years**

(21) Appl. No.: **29/413,148**

(22) Filed: **Feb. 10, 2012**

(51) **LOC (10) Cl.** ..... **21-01**

(52) **U.S. Cl.**  
USPC ..... **D21/405**

(58) **Field of Classification Search**

USPC ..... D21/300, 324, 332, 333, 341, 353, 385, D21/386, 388, 389, 398, 405, 409, 468, 469, D21/470, 475, 476, 478, 479, 483, 513, 516, D21/522, 529, 586, 590, 658, 350, 480, D21/493; D19/59, 60, 64, 35, 36, 75, 77, D19/92; D17/1-99; D11/131, 157, 1-11, D11/44, 48, 81; D14/496, 168, 172, 178, D14/203.2, 299, 388, 434, 447, 454, 144, D14/159, 203.1, 203.8, 224, 224.1, 238, D14/238.1, 251-254; D13/108; D28/54, 56, D28/61, 62, 73; D3/18, 20, 21, 205, 206, D3/304, 313, 318, 901, 905, 211; D4/100-102, 116, 119, 199, 107, 124; D7/505-508, 550.1, 551.1, D7/553.1-553.8, 555, 557, 590, 592-594, D7/600.1, 700, 701, 387, 388, 389, 396.6, D7/401.1, 403, 599; D9/715, 718, 737, D9/749, 758, 761, 424, 425, 455, 456, D9/665; 446/69, 71, 75, 76, 77, 81, 91, 446/118, 143, 146, 175, 227, 297, 318, 397, 446/404, 408, 484; 434/128, 259, 308, 309, 434/311, 393, 403, 406, 407; 84/170, 470 R, 84/476; 273/237, 238, 276, 281, 288, 290, 273/157 R, 455; D26/4, 14, 25

See application file for complete search history.

(56) **References Cited**

U.S. PATENT DOCUMENTS

203,604 A \* 5/1878 Dobson ..... 84/269  
D162,554 S \* 3/1951 Magnus ..... D17/3

(Continued)

FOREIGN PATENT DOCUMENTS

CN 301357345 \* 9/2010  
CN 301566942 \* 6/2011

*Primary Examiner* — Catherine Tuttle

(74) *Attorney, Agent, or Firm* — Andrew S. Langsam; Pryor Cashman LLP

(57) **CLAIM**

The ornamental design for the set of moveable instrument pieces for a musical toy, as shown and described.

**DESCRIPTION**

FIG. 1A is a front and perspective view of the clarinet, flute, trumpet, tuba, drums, and cymbals elements of the set of moveable instrument pieces for a musical toy embodying my new design;

FIG. 1B is a front and perspective view of the xylophone, piano, accordion, sitar, guitar, koto, and violin elements thereof;

FIG. 2A is a front view of FIG. 1A;

FIG. 2B is a front view of FIG. 1B;

FIG. 3A is a rear view of FIG. 1A;

FIG. 3B is a rear view of FIG. 1B;

FIG. 4A is a right side view of FIG. 1A;

FIG. 4B is a right side view of FIG. 1B;

FIG. 5A is a left side view of FIG. 1A;

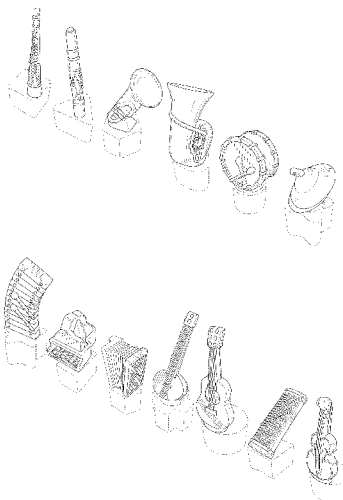
FIG. 5B is a left side view of FIG. 1B;

FIG. 6A is a top plan view of FIG. 1A; and,

FIG. 6B is a top plan view of FIG. 1B.

The broken lines are included for the purpose of illustrating portions of the set of movable instrument pieces that form no part of the claimed invention design.

**1 Claim, 12 Drawing Sheets**



(56)

**References Cited**

U.S. PATENT DOCUMENTS

3,550,495 A \* 12/1970 Shotmeyer ..... 84/267  
 D240,364 S \* 6/1976 Ghelli ..... D21/389  
 D280,650 S \* 9/1985 Tateyama ..... D21/475  
 D348,483 S \* 7/1994 Chow et al. .... D19/62  
 D349,300 S \* 8/1994 Lau ..... D19/62  
 D352,332 S \* 11/1994 Hancock ..... D21/389  
 5,451,178 A \* 9/1995 Yorozu et al. .... 446/175  
 5,501,601 A \* 3/1996 Todokoro et al. .... 434/169  
 D376,393 S \* 12/1996 Stroud et al. .... D21/476  
 5,668,333 A \* 9/1997 Horton et al. .... 84/470 R  
 D410,866 S \* 6/1999 Philipson et al. .... D11/8

D410,972 S \* 6/1999 Sosoka et al. .... D21/405  
 6,079,985 A \* 6/2000 Wohl et al. .... 434/319  
 6,132,281 A \* 10/2000 Klitsner et al. .... 446/75  
 6,142,849 A \* 11/2000 Horton et al. .... 446/175  
 D440,904 S \* 4/2001 Farrow ..... D11/157  
 D450,748 S \* 11/2001 Greenberg ..... D17/22  
 6,353,168 B1 \* 3/2002 Sosoka et al. .... 84/600  
 D495,756 S \* 9/2004 Carley et al. .... D21/405  
 6,991,509 B1 \* 1/2006 Carley et al. .... 446/175  
 7,103,309 B1 \* 9/2006 Motosko ..... 434/308  
 D577,761 S \* 9/2008 Nakao et al. .... D17/22  
 8,420,923 B1 \* 4/2013 Choi et al. .... 84/644  
 2012/0237904 A1 \* 9/2012 Alicea ..... 434/128

\* cited by examiner

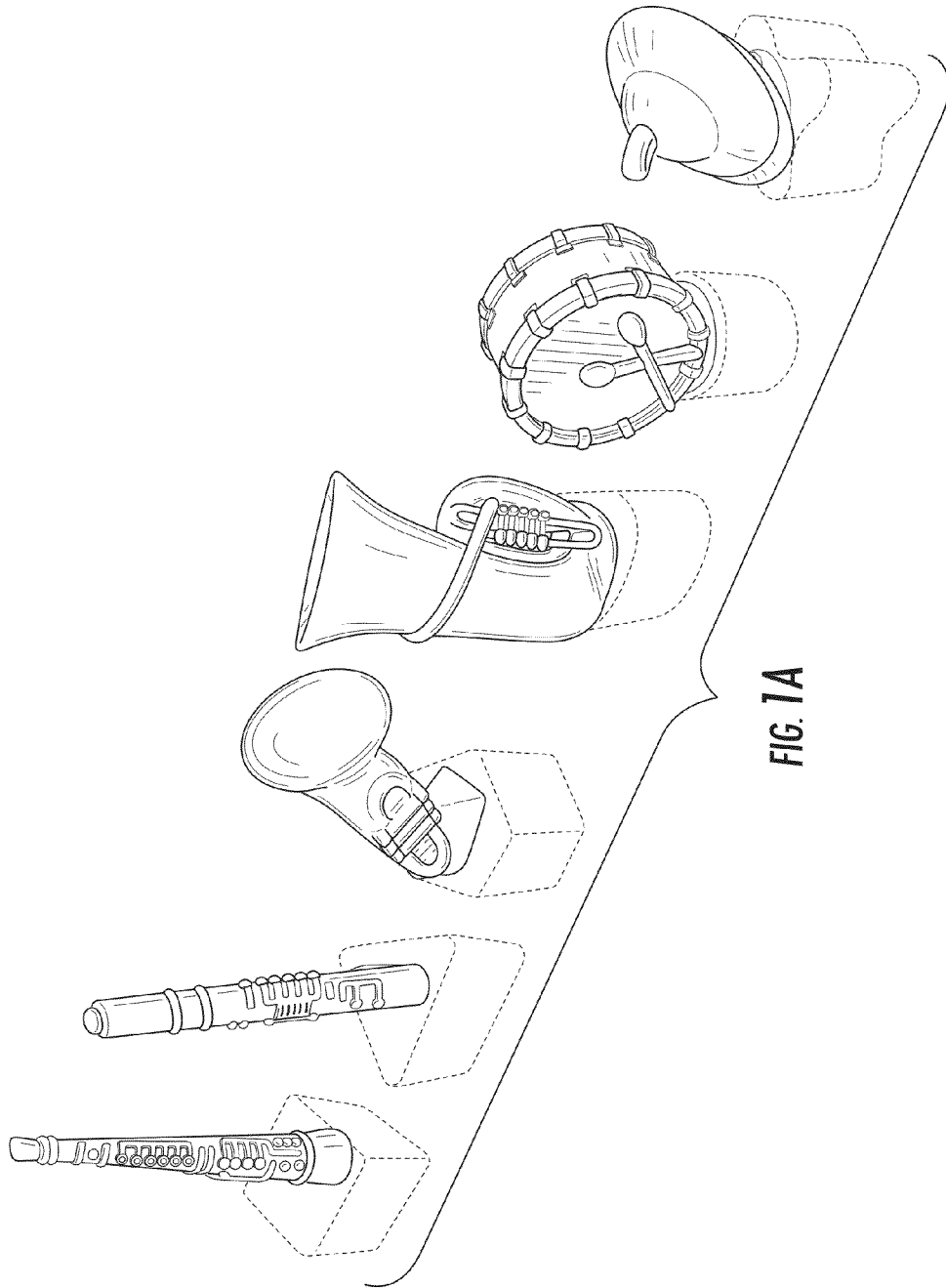


FIG. 1A

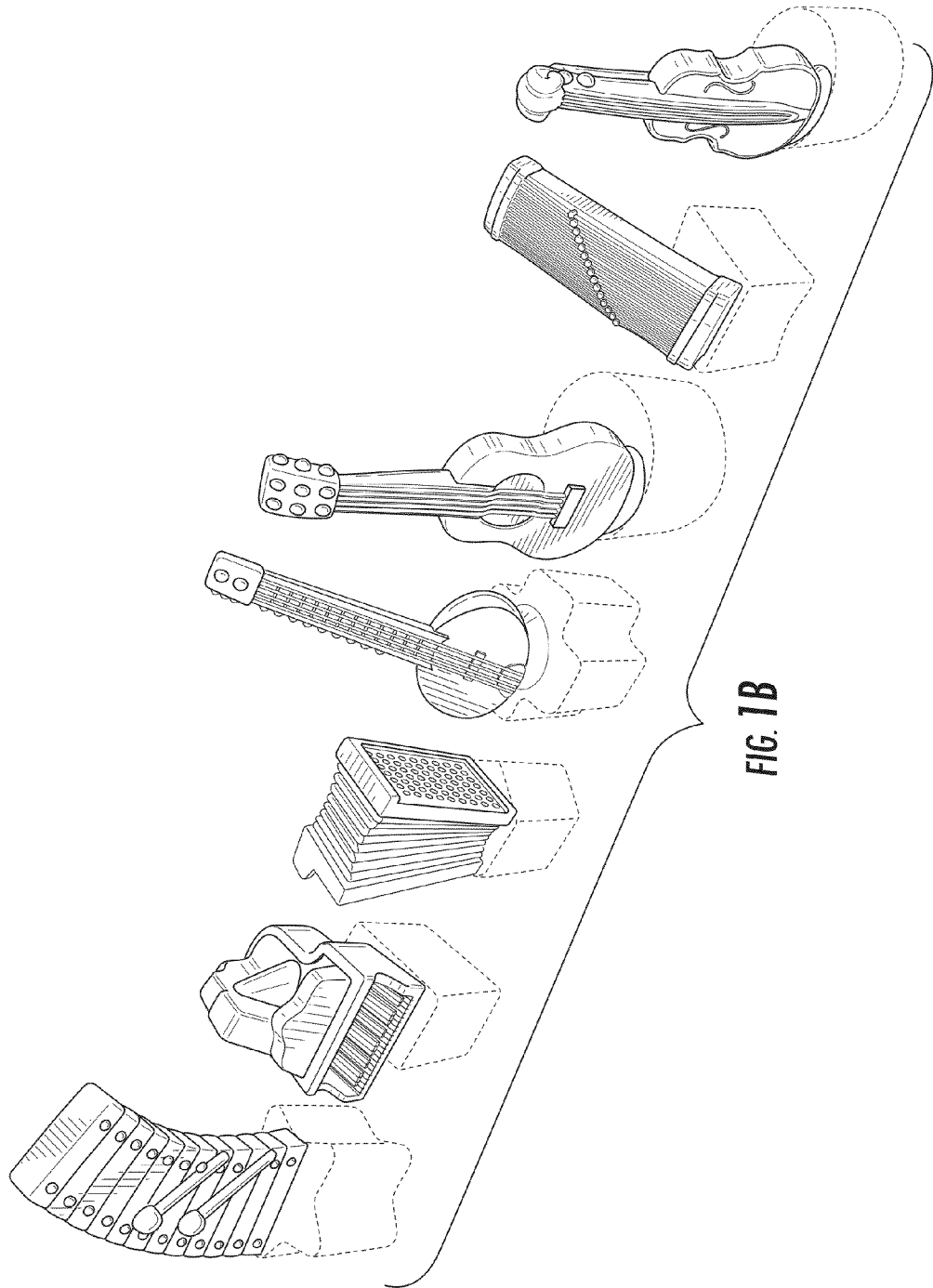


FIG. 1B

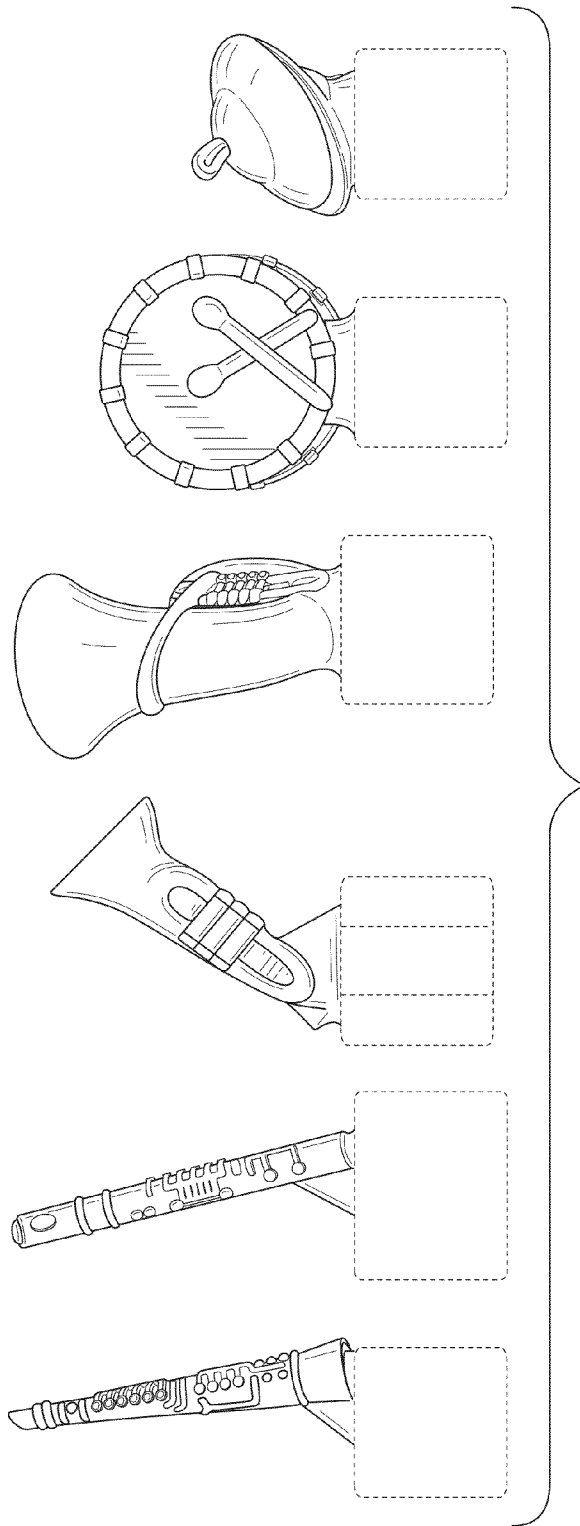


FIG. 2A

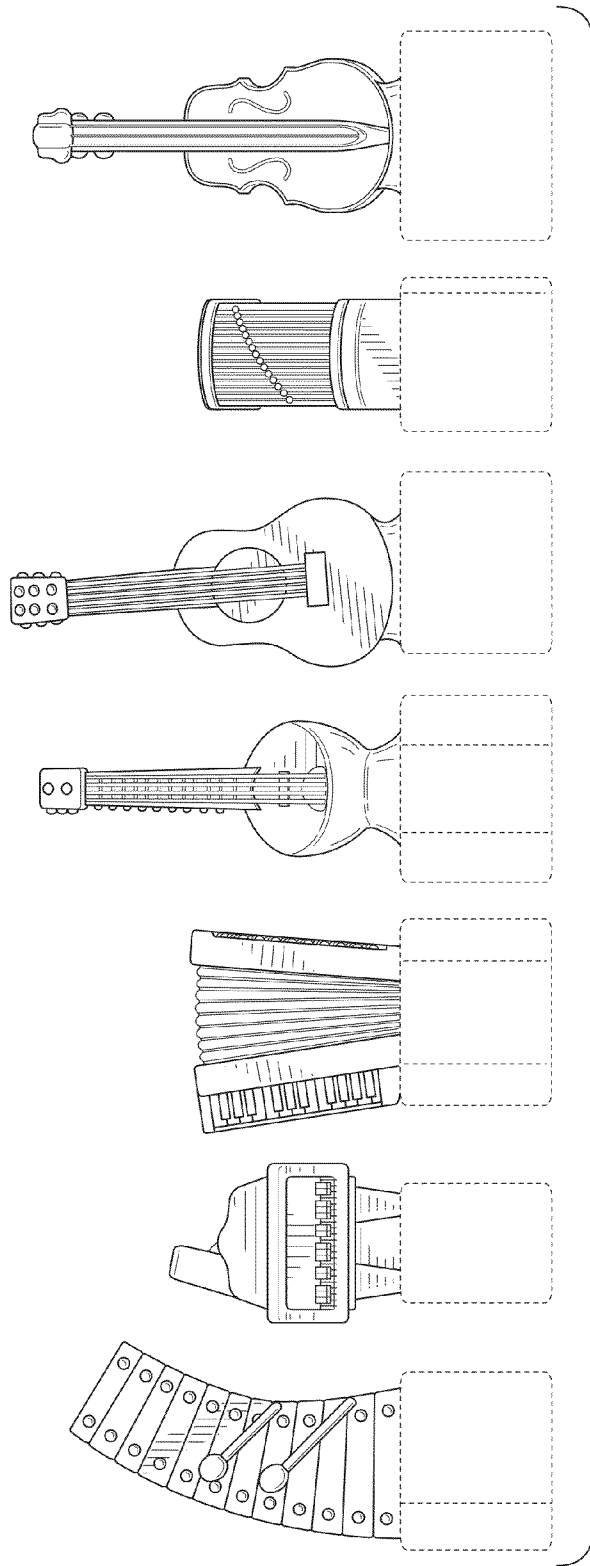


FIG. 2B

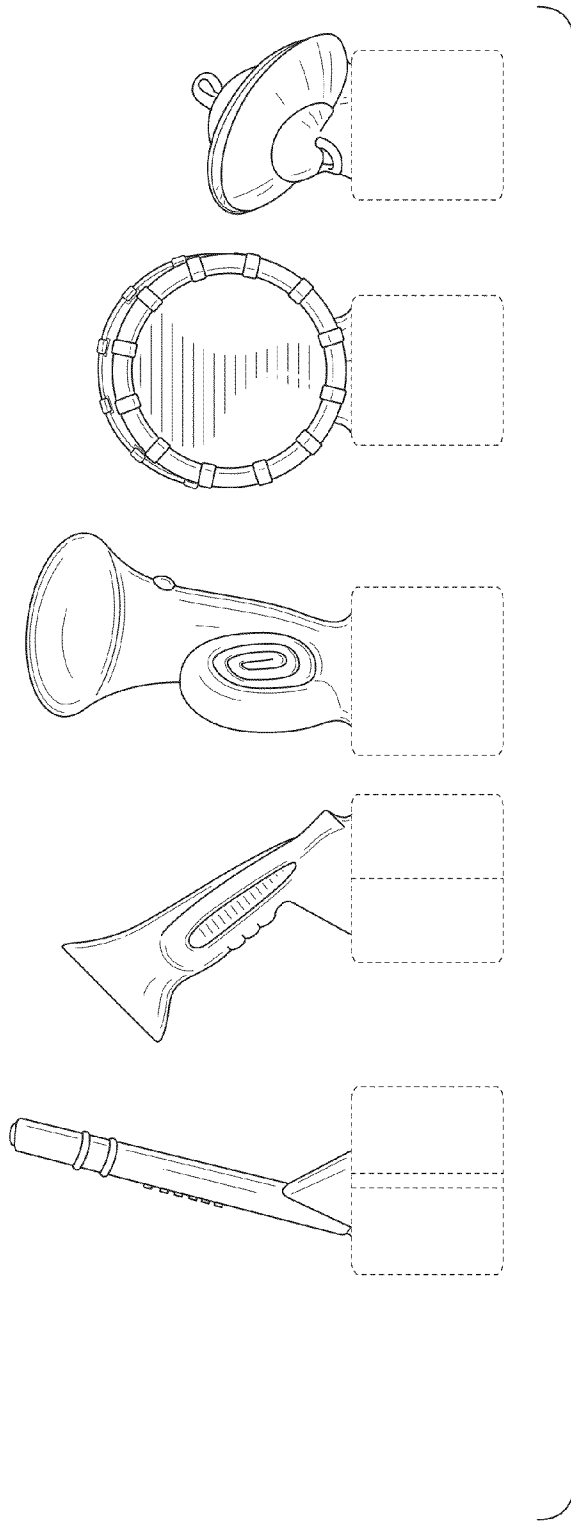


FIG. 3A

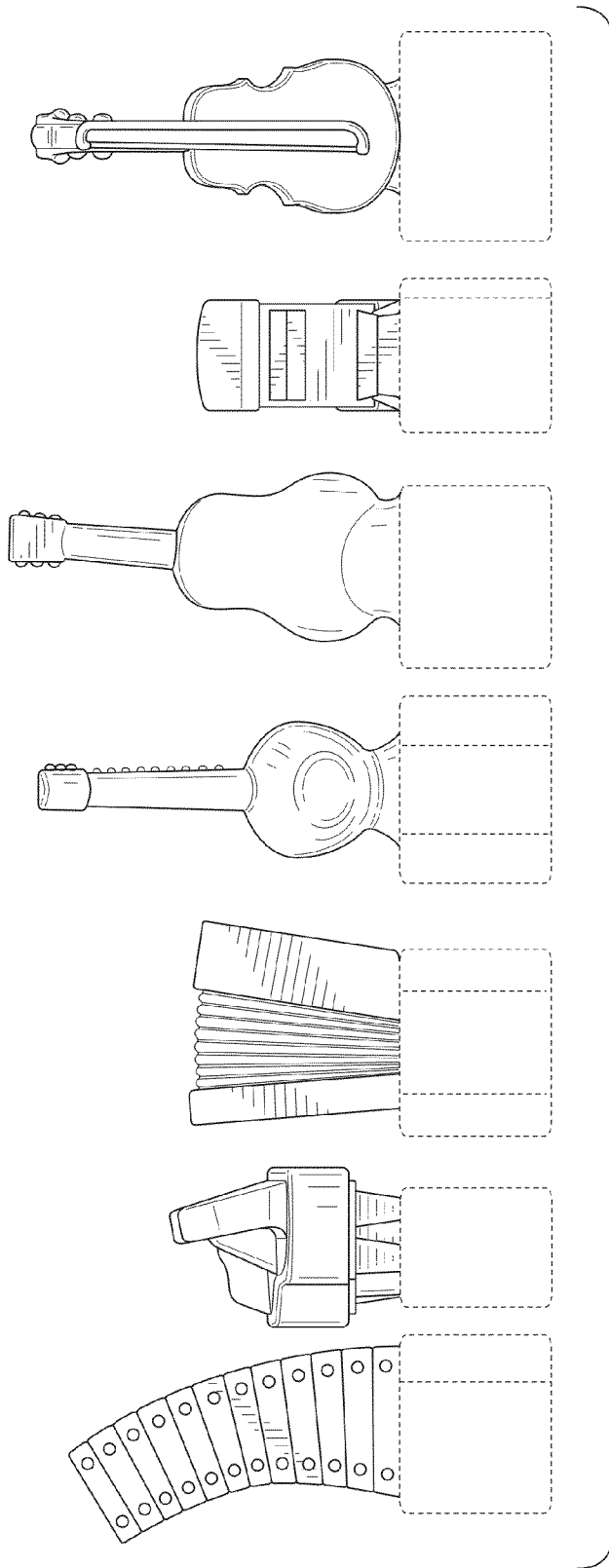


FIG. 3B

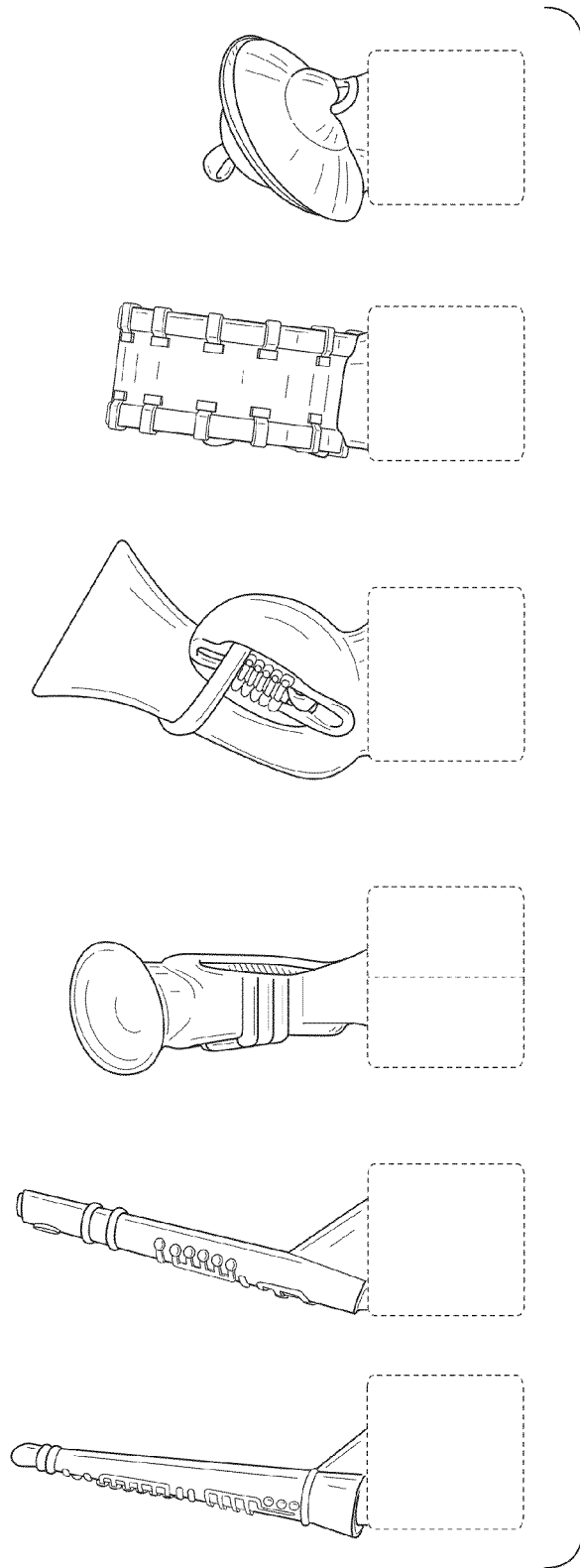


FIG. 4A

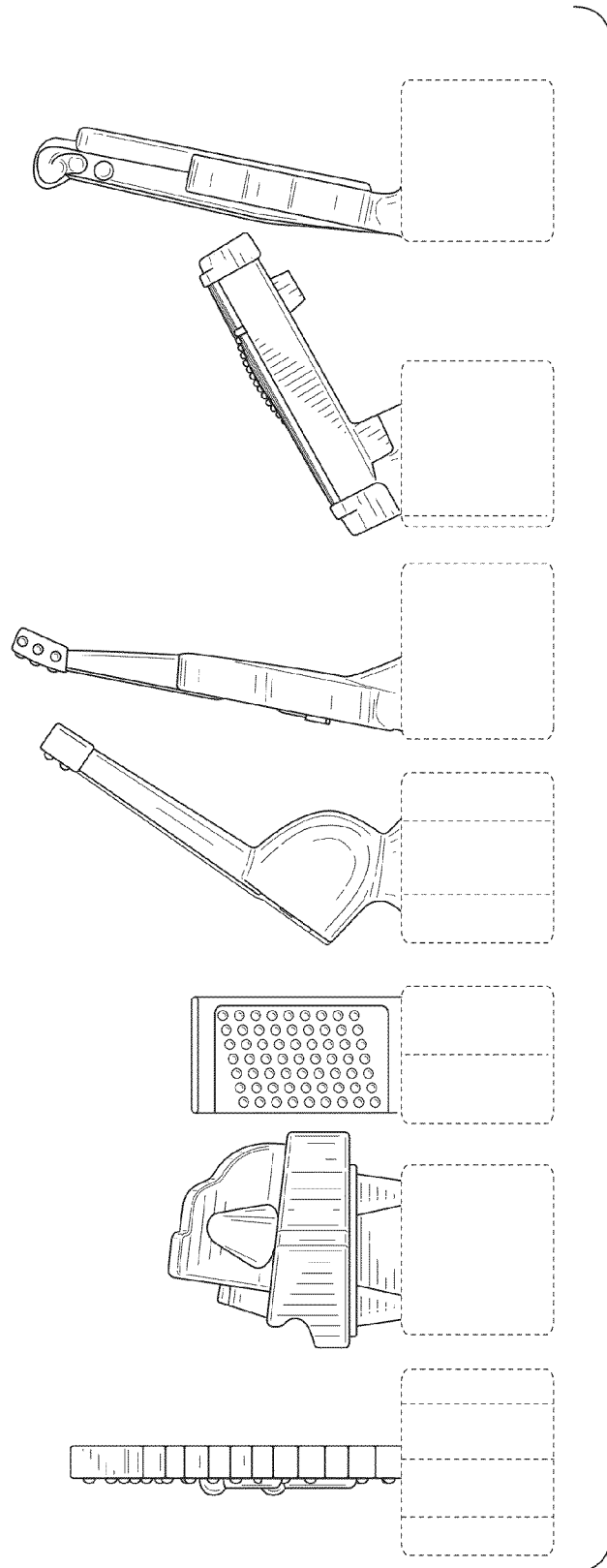


FIG. 4B

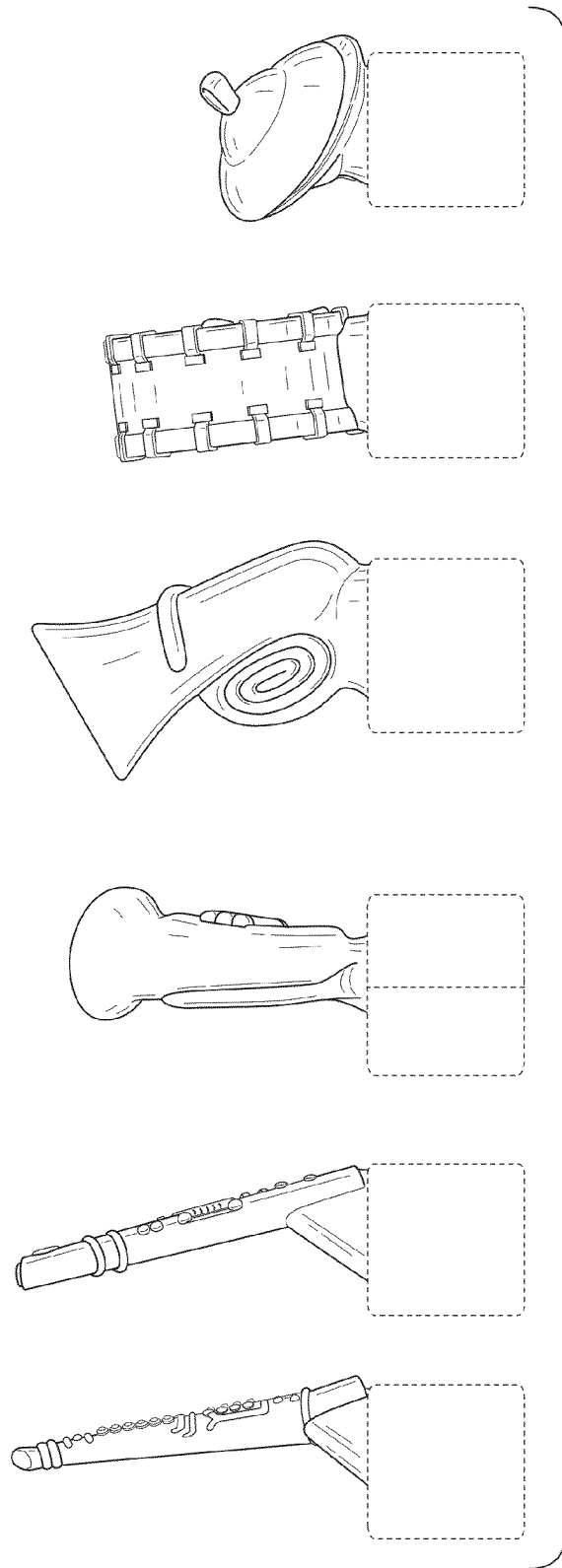


FIG. 5A

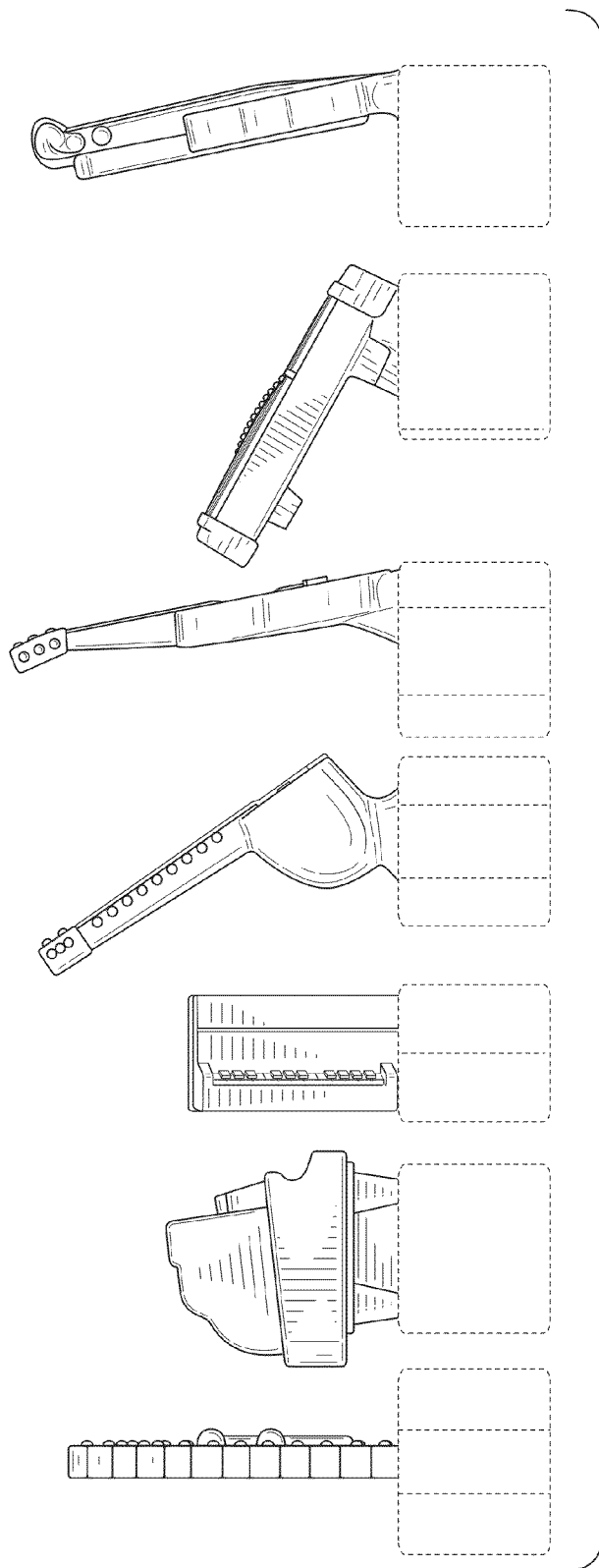


FIG 5B

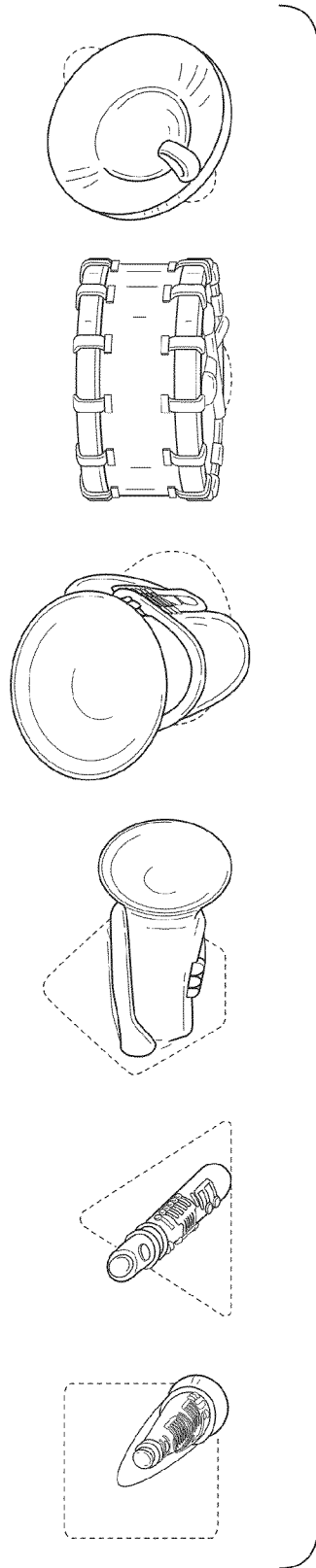


FIG. 6A

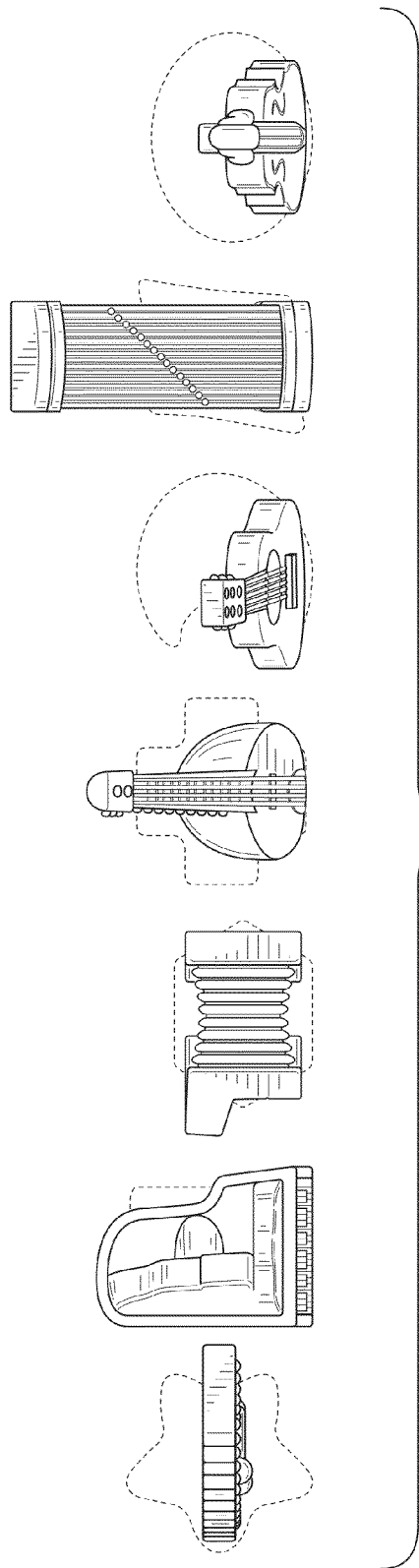


FIG. 6B