



US00D378956S

United States Patent [19]

[11] Patent Number: Des. 378,956

Haba

[45] Date of Patent: **Apr. 29, 1997

[54] DISPOSABLE TOOTHBRUSH

[76] Inventor: **Allen Haba**, 11150 Keeler Rd.,
Concord, Mich. 49237

[**] Term: **14 Years**

[21] Appl. No.: **47,022**

[22] Filed: **Nov. 27, 1995**

[52] U.S. Cl. **D4/108**

[58] Field of Search D4/104-112, 114,
D4/130, 132-134, 136, 138; 15/105, 143.1,
159.1, 160, 167.1, 167.2, 186, 187; 132/308,
311; 401/183-186

[56] References Cited

U.S. PATENT DOCUMENTS

Re. 19,006	11/1933	Graves	401/184
D. 329,642	9/1992	Booth et al.	D4/104
D. 360,076	7/1995	Schneider	D4/104
5,181,531	1/1993	Escoto et al.	132/308

Primary Examiner—A. Hugo Word

Assistant Examiner—Lavone D. Tabor

Attorney, Agent, or Firm—Harold H. Dutton, Jr.; W. Charles
L. Jamison; Diane F. Liebman

[57] CLAIM

The ornamental design for a disposable toothbrush, as shown and described.

DESCRIPTION

FIG. 1 is a perspective view of a disposable toothbrush showing my new design;

FIG. 2 is a reduced top view of the disposable toothbrush;

FIG. 3 is a top view thereof;

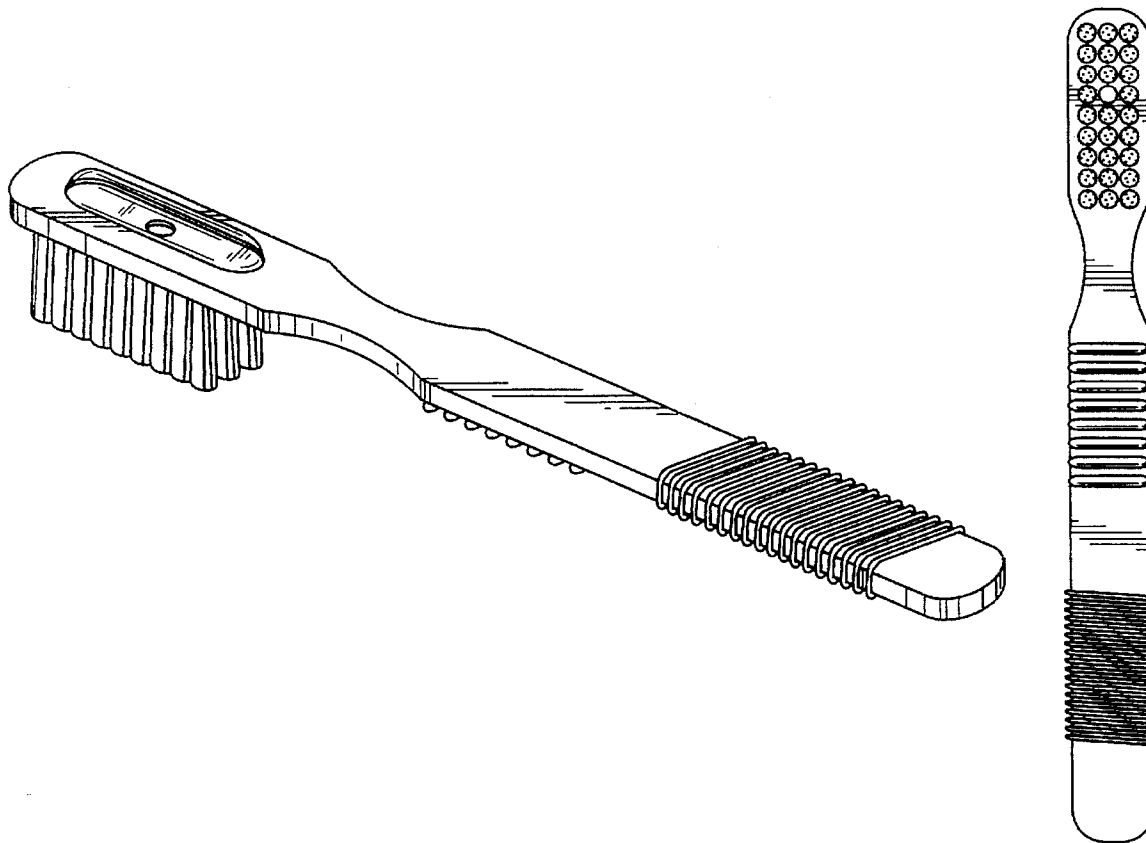
FIG. 4 is a rear side view thereof;

FIG. 5 is a right end view thereof; and,

FIG. 6 is a left end view thereof.

The front side of a disposable toothbrush is a mirror image of FIG. 4.

1 Claim, 3 Drawing Sheets



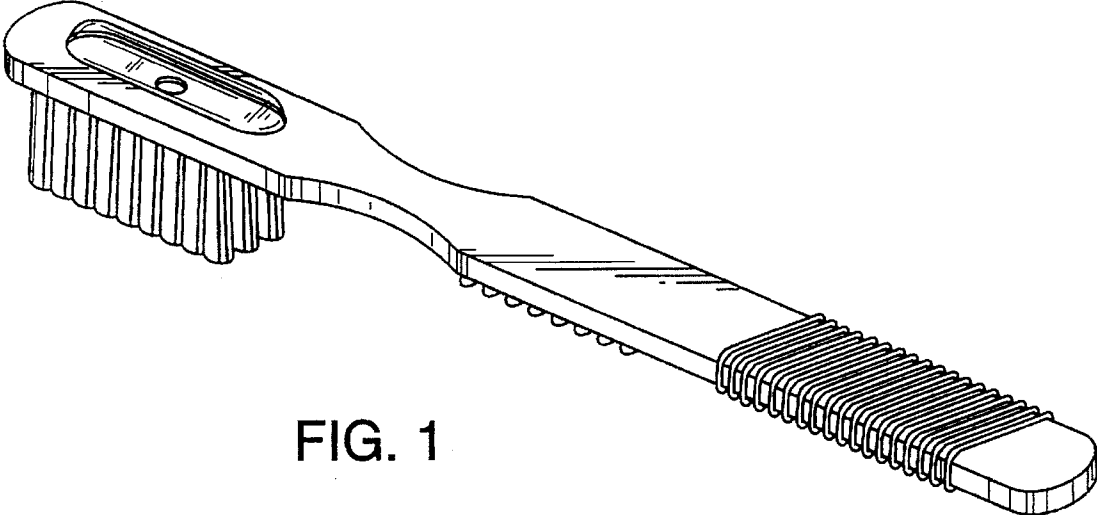


FIG. 1

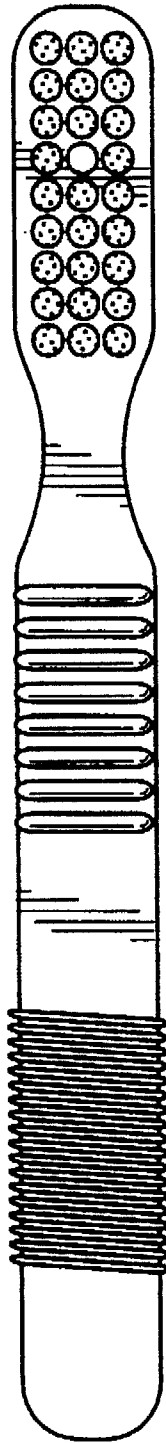


FIG. 2

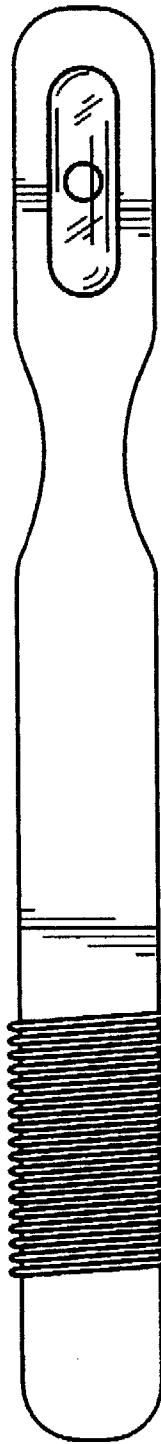


FIG. 3

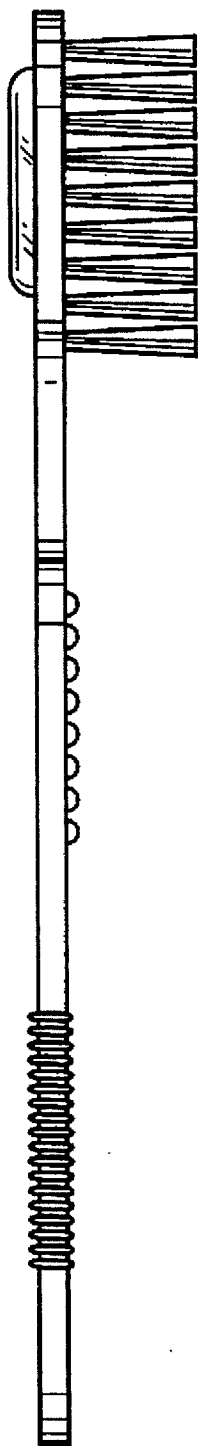


FIG. 4

FIG. 5

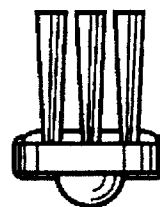


FIG. 6