



US00D966443S

(12) **United States Design Patent**  
**Weng**

(10) **Patent No.:** **US D966,443 S**

(45) **Date of Patent:** **\*\* Oct. 11, 2022**

(54) **PAIR OF DUMBBELLS WITH RACK**

(71) Applicant: **ZHEJIANG QILI HEALTH TECHNOLOGY LTD.**, Jinhua (CN)

(72) Inventor: **Gaowang Weng**, Yongkang (CN)

(73) Assignee: **ZHEJIANG QILI HEALTH TECHNOLOGY LTD.**, Jinhua (CN)

(\*\*) Term: **15 Years**

(21) Appl. No.: **29/755,374**

(22) Filed: **Oct. 20, 2020**

(30) **Foreign Application Priority Data**

Sep. 15, 2020 (CN) ..... 202030547791.6

(51) **LOC (13) Cl.** ..... **21-02**

(52) **U.S. Cl.**  
USPC ..... **D21/681**

(58) **Field of Classification Search**  
USPC ..... D6/552; D21/662, 667-682, 685, 686, D21/692, 694  
CPC ..... A63B 2220/12; A63B 21/062; A63B 2220/13; A63B 69/3632; A63B 21/075; A63B 21/063; A63B 21/0628; A63B 21/0724

See application file for complete search history.

(56) **References Cited**

**U.S. PATENT DOCUMENTS**

- D528,173 S \* 9/2006 Flick ..... D6/552
- D610,636 S \* 2/2010 Golesh ..... D21/681
- D639,358 S \* 6/2011 Rauwerdink ..... D21/681
- D639,359 S \* 6/2011 Rauwerdink ..... D6/552
- D643,481 S \* 8/2011 Rauwerdink ..... D21/681
- D737,907 S \* 9/2015 Flick ..... D21/681
- D753,247 S \* 4/2016 Flick ..... D21/681

- D799,980 S \* 10/2017 Michan Chavez ..... D9/600
- 11,167,167 B1 \* 11/2021 Weng ..... A63B 21/0726
- 11,285,354 B1 \* 3/2022 Tseng ..... A63B 21/0726
- 2020/0330813 A1 \* 10/2020 Liu ..... A63B 21/075
- 2020/0376320 A1 \* 12/2020 Wang ..... A63B 21/0726

(Continued)

**FOREIGN PATENT DOCUMENTS**

CN 304118690 \* 4/2017

**OTHER PUBLICATIONS**

AOTOB 25/55 lbs Adjustable Dumbbells, first available Sep. 28, 2021, amazon.com [online], site visited [Mar. 29, 2022], Available from internet URL:https://amzn.to/3Dkf1tx (Year: 2021).\*

(Continued)

*Primary Examiner* — Jack Reickel  
*Assistant Examiner* — Salamah Jordan  
(74) *Attorney, Agent, or Firm* — Dragon Sun Law Firm, PC; Jinggao Li, Esq.; Nathaniel Perkins

(57) **CLAIM**

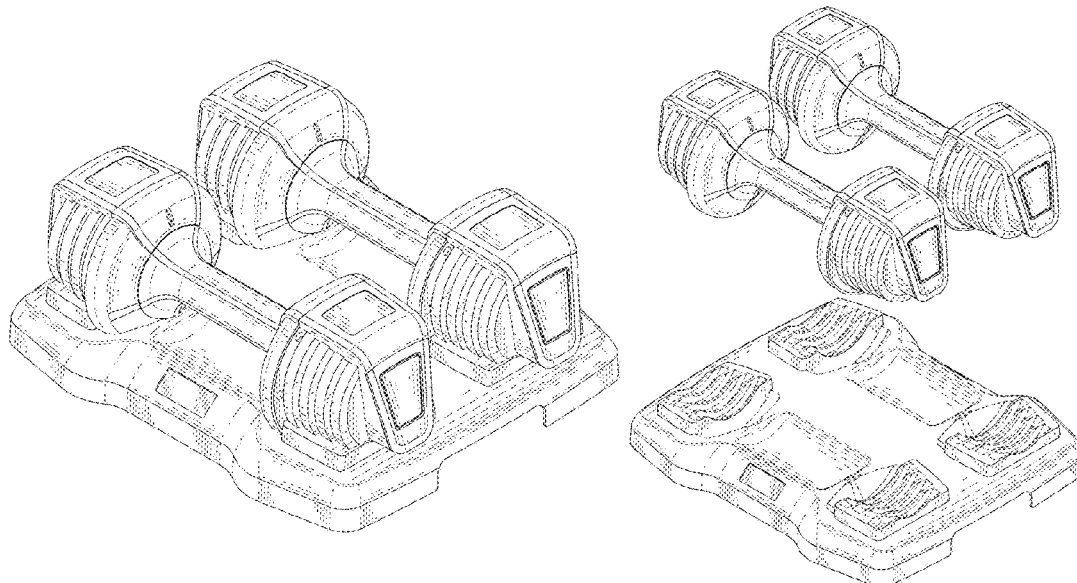
The ornamental design for a pair of dumbbells with rack, as shown and described.

**DESCRIPTION**

FIG. 1 is a perspective view of a pair of dumbbells with rack showing my new design;  
FIG. 2 is a front view thereof;  
FIG. 3 is a rear view thereof;  
FIG. 4 is a left side view thereof;  
FIG. 5 is a right side view thereof;  
FIG. 6 is a top plan view thereof;  
FIG. 7 is a bottom plan view thereof; and,  
FIG. 8 is an exploded view thereof.

The dashed or broken lines shown in the drawings depict portions of the pair of dumbbells with rack in which the design is embodied that form no part of the claimed design.

**1 Claim, 8 Drawing Sheets**



(56)

**References Cited**

U.S. PATENT DOCUMENTS

2022/0047908 A1\* 2/2022 Weng ..... A63B 21/0726

OTHER PUBLICATIONS

“Bayou Fitness Adjustable Dumbbell” Jan. 23, 2007, Amazon, site visited Jun. 14, 2022: <https://amzn.to/3tv4oM7> (Year: 2007).\*

“ACCPO Adjustable Dumbbells Set” Dec. 9, 2021, Amazon, site visited Jun. 14, 2022: <https://amzn.to/3xMZnAW> (Year: 2021).\*

“Bowflex Dumbbell Review” Jul. 23, 2019, Youtube, site visited Jun. 14, 2022: <https://www.youtube.com/watch?v=G82oAaiWQII> (Year: 2019).\*

\* cited by examiner

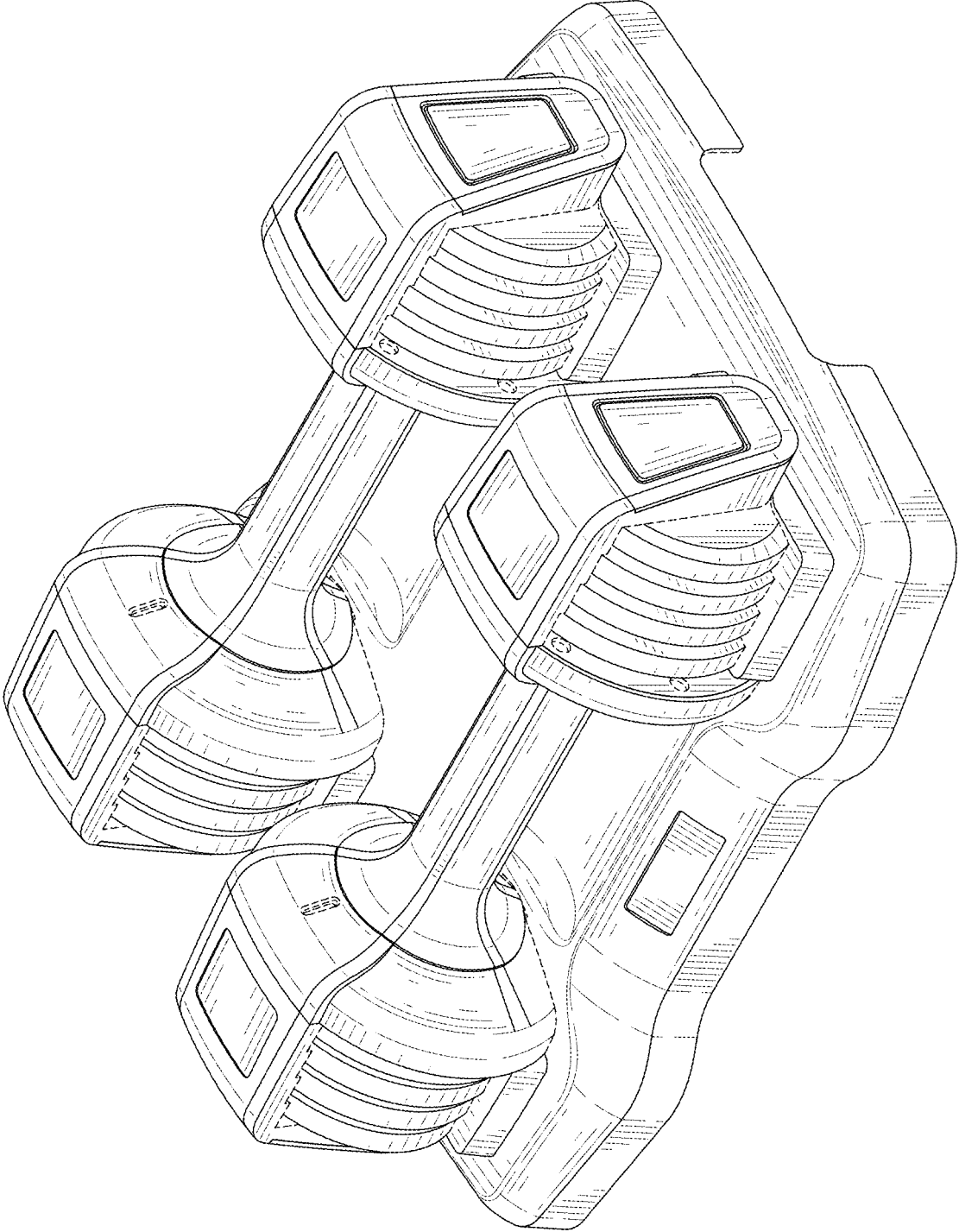


FIG. 1

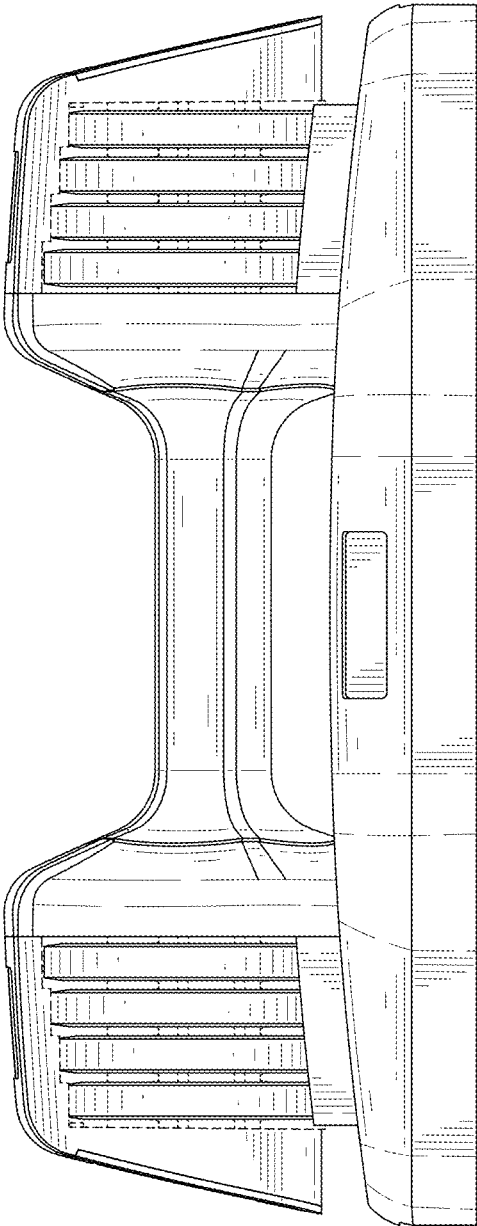


FIG. 2

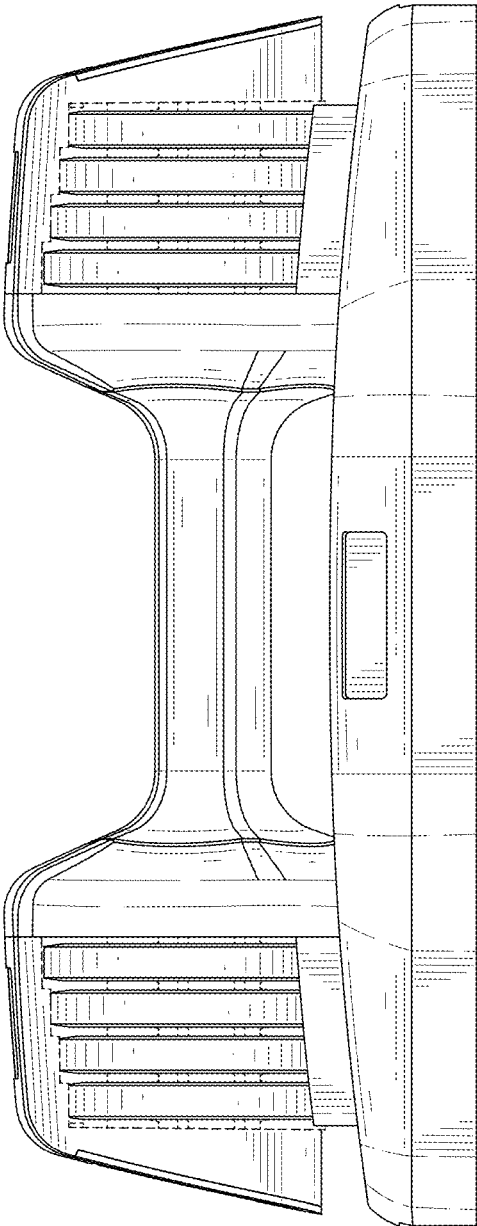


FIG. 3

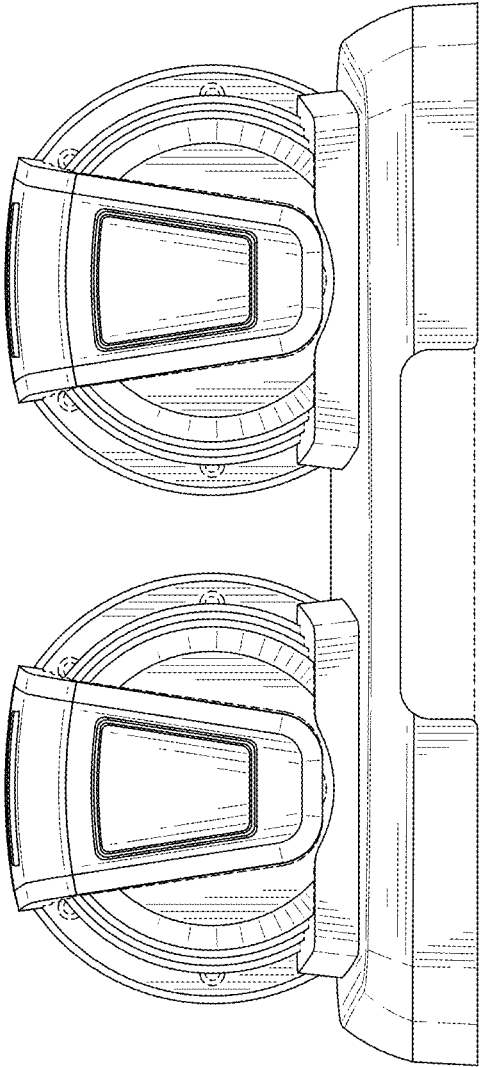


FIG. 4

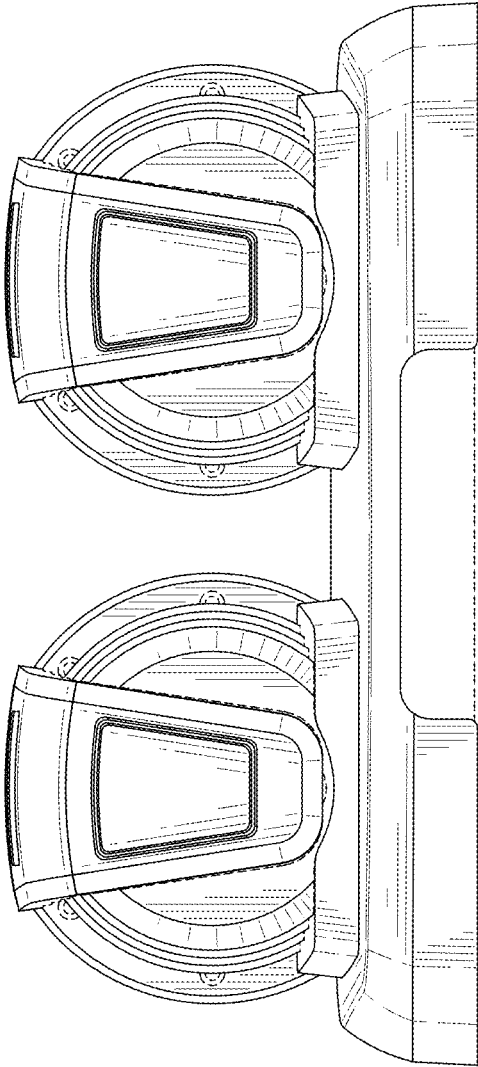


FIG. 5

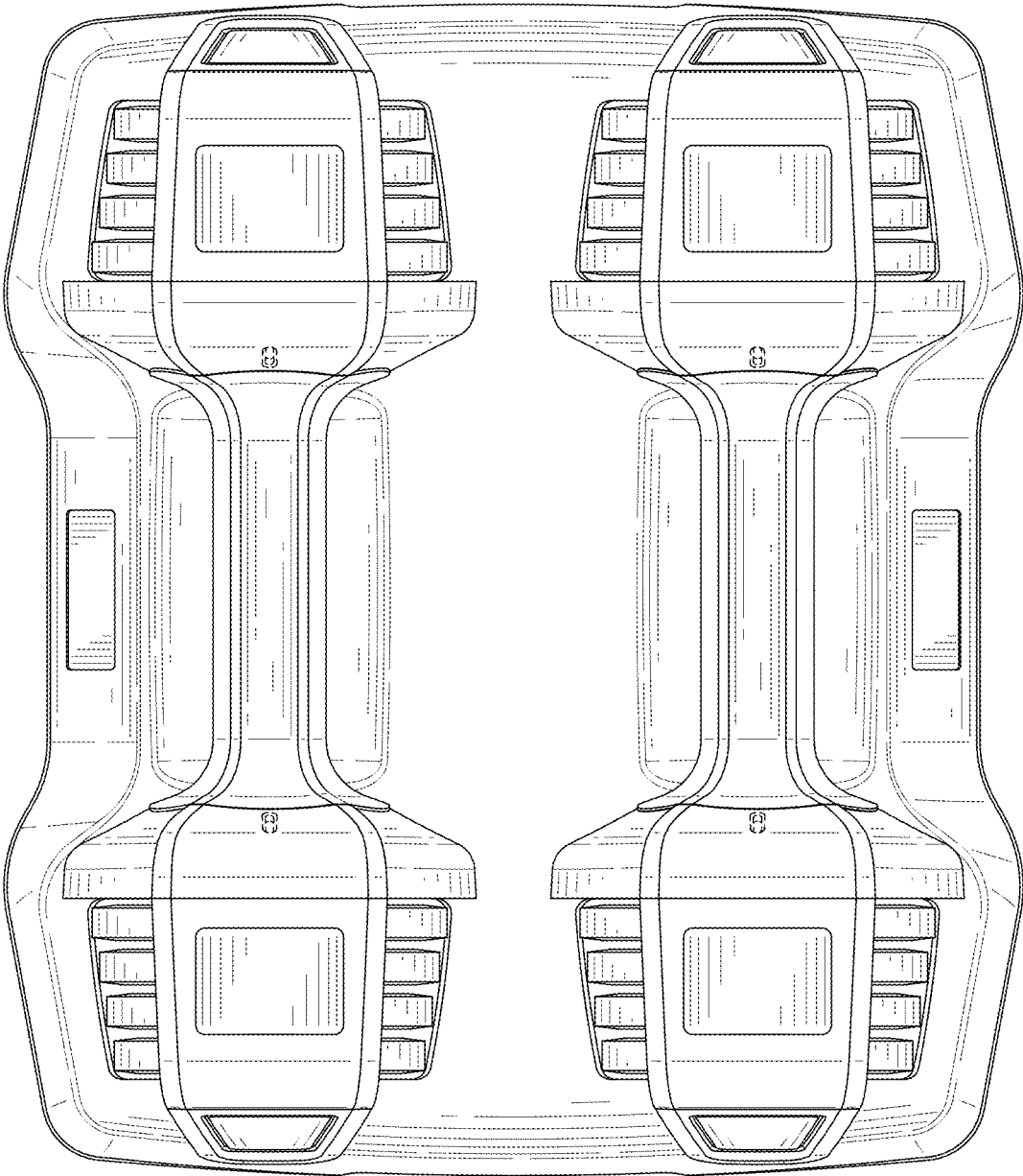


FIG. 6



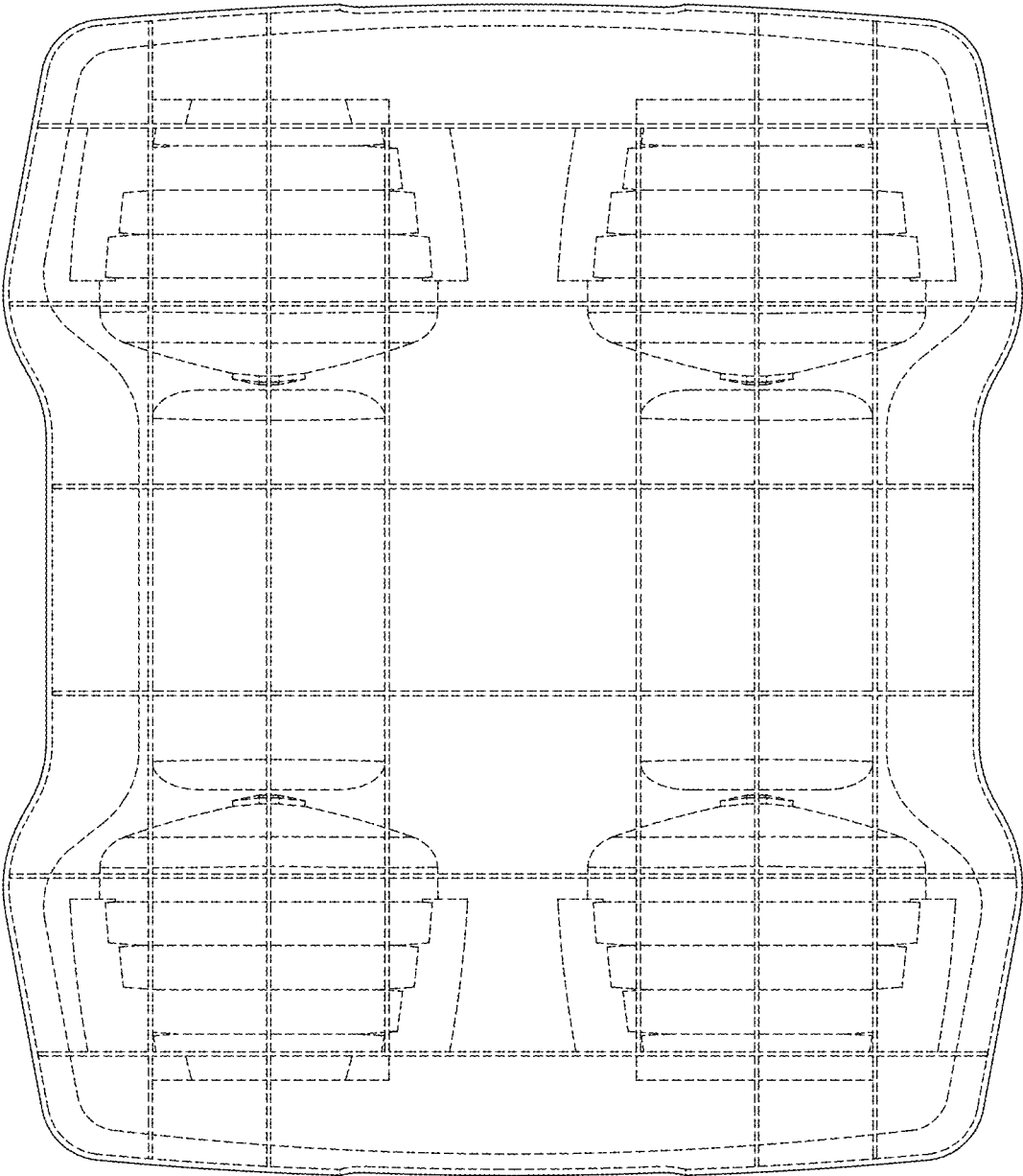


FIG. 7

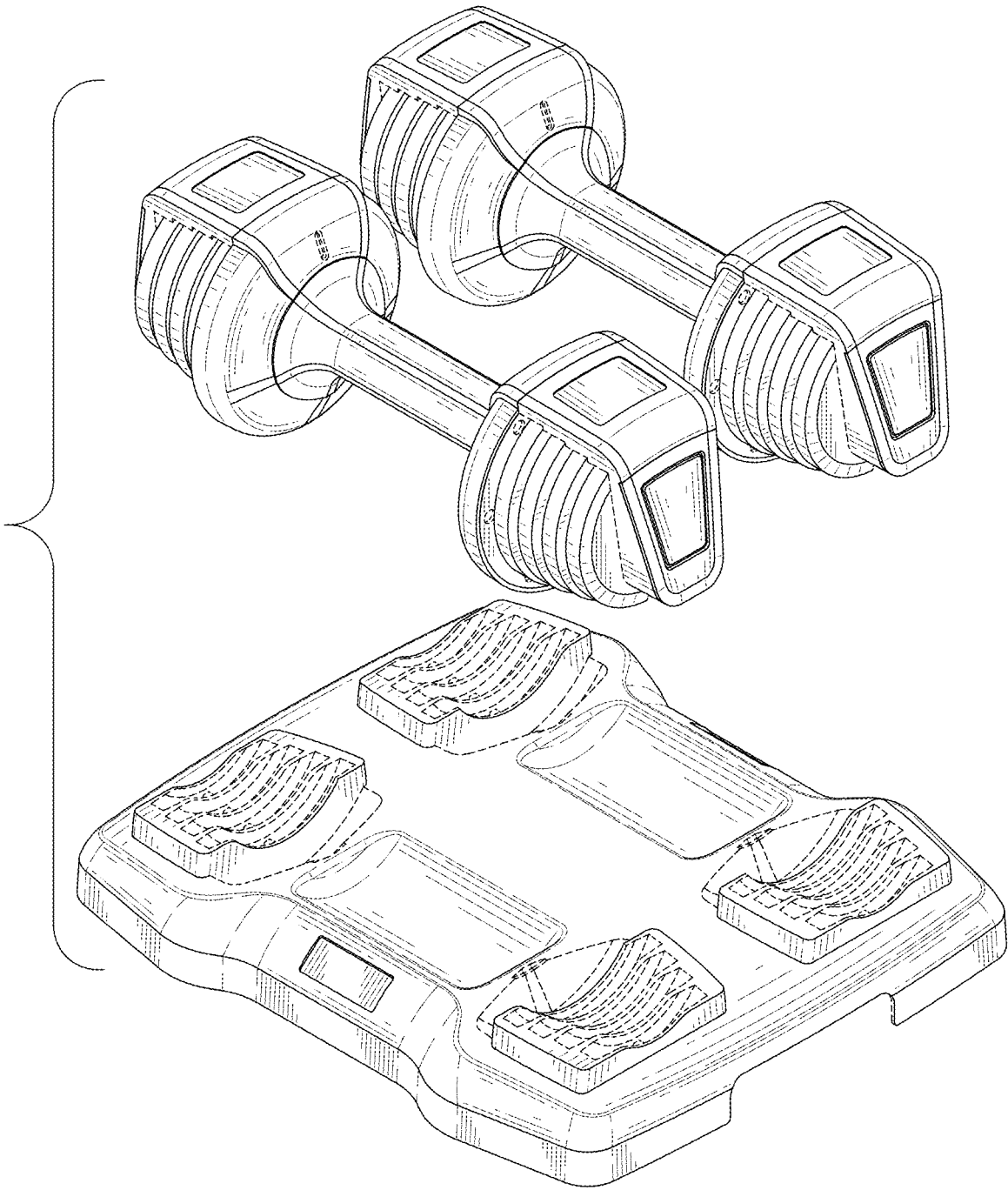


FIG. 8