



US00D733315S

(12) **United States Design Patent**
Lui

(10) **Patent No.:** **US D733,315 S**

(45) **Date of Patent:** **** Jun. 30, 2015**

- (54) **SHIPPING CONTAINER**
- (71) Applicant: **Theranos, Inc.**, Palo Alto, CA (US)
- (72) Inventor: **Clarissa Lui**, Palo Alto, CA (US)
- (73) Assignee: **Theranos, Inc.**, Palo Alto, CA (US)
- (**) Term: **14 Years**
- (21) Appl. No.: **29/466,442**
- (22) Filed: **Sep. 8, 2013**
- (51) **LOC (10) Cl.** **24-02**
- (52) **U.S. Cl.**
USPC **D24/227; D3/203.1; D9/759**
- (58) **Field of Classification Search**
USPC D24/216, 217, 224–232, 131;
D3/203.1–203.6, 272; D9/420, 423,
D9/430, 432, 424, 732, 629, 429; 220/793,
220/839, 258.3; 206/83, 528, 438, 63.5,
206/815, 508; 422/560–564; 435/305.1,
435/288.3, 288.4
See application file for complete search history.

5,906,292 A *	5/1999	Rider, Jr.	220/839
D411,308 S *	6/1999	Pandey et al.	D24/230
D423,111 S *	4/2000	Davis et al.	D24/226
D476,423 S *	6/2003	Picot et al.	D24/217
D484,797 S *	1/2004	Kipperman et al.	D9/424
D487,315 S *	3/2004	Picot et al.	D24/217
6,875,405 B1 *	4/2005	Mathus et al.	422/562
D525,714 S *	7/2006	Ueda	D24/227
D526,064 S *	8/2006	Wood	D24/229
D529,622 S *	10/2006	Hadjis et al.	D24/229
D543,120 S *	5/2007	Coe et al.	D9/732
D551,515 S *	9/2007	Ablo et al.	D7/629
D574,505 S *	8/2008	Muller-Cohn et al.	D24/216
D593,207 S *	5/2009	Ayliffe	D24/229
D618,516 S *	6/2010	DiPietro et al.	D7/629
D664,845 S *	8/2012	Everson	D9/432
8,460,622 B2 *	6/2013	Motadel	422/564
D698,938 S *	2/2014	Fonseca	D24/224

(Continued)

OTHER PUBLICATIONS

Office Action dated Oct. 10, 2014 for U.S. Appl. No. 29/466,739.

(Continued)

Primary Examiner — T. Chase Nelson

Assistant Examiner — Mark Cavanna

(56) **References Cited**
U.S. PATENT DOCUMENTS

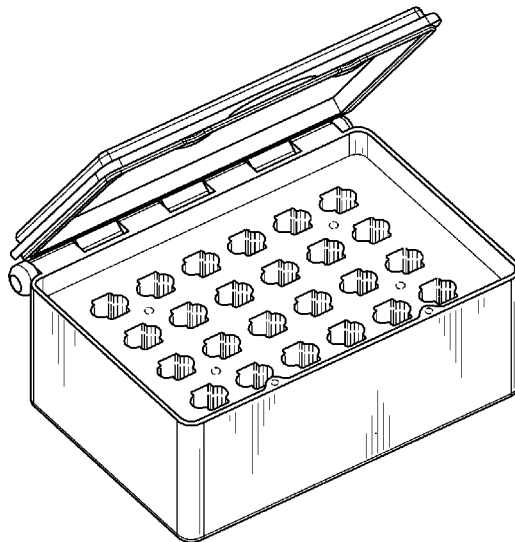
D264,810 S *	6/1982	Voltmann	D3/203.3
4,401,229 A *	8/1983	Bell et al.	220/258.3
D271,239 S *	11/1983	Lemieux et al.	D24/230
D278,412 S *	4/1985	Yeung	D9/420
D280,015 S *	8/1985	Sarajian	D24/227
D282,577 S *	2/1986	Neumeister	D24/226
D295,074 S *	4/1988	Jerge et al.	D24/217
D299,955 S *	2/1989	Kendrick, Sr.	D24/229
D316,146 S *	4/1991	Payne et al.	D24/227
5,012,928 A *	5/1991	Proffitt et al.	206/508
D324,819 S *	3/1992	Eisenberg	D3/203.3
5,204,130 A *	4/1993	McDevitt et al.	206/815
D352,116 S *	11/1994	Kienholz	D24/227
D376,647 S *	12/1996	Marsh et al.	D24/131

(57) **CLAIM**
The ornamental design for a shipping container, as shown and described.

DESCRIPTION

FIG. 1 is a perspective view of a shipping container with an open lid, showing our new design; FIG. 2 is a side view thereof, with lid open; and, FIG. 3 is a top view thereof with lid open. The broken lines are included for the purpose of illustrating unclaimed portions of the shipping container and form no part of the claimed design.

1 Claim, 2 Drawing Sheets



(56)

References Cited

OTHER PUBLICATIONS

U.S. PATENT DOCUMENTS

D699,370	S	*	2/2014	Motadel et al.	D24/229
D707,847	S	*	6/2014	Motadel et al.	D24/227
D711,549	S	*	8/2014	Trump	D24/224
D711,550	S	*	8/2014	Trump	D24/224
2007/0012710	A1	*	1/2007	Vovan	220/793

Office Action dated Oct. 2, 2014 for U.S. Appl. No. 29/466,443.
Office Action dated Oct. 2, 2014 for U.S. Appl. No. 29/466,710.
Office Action dated Oct. 3, 2014 for U.S. Appl. No. 29/466,440.
Office Action dated Oct. 3, 2014 for U.S. Appl. No. 29/466,441.

* cited by examiner

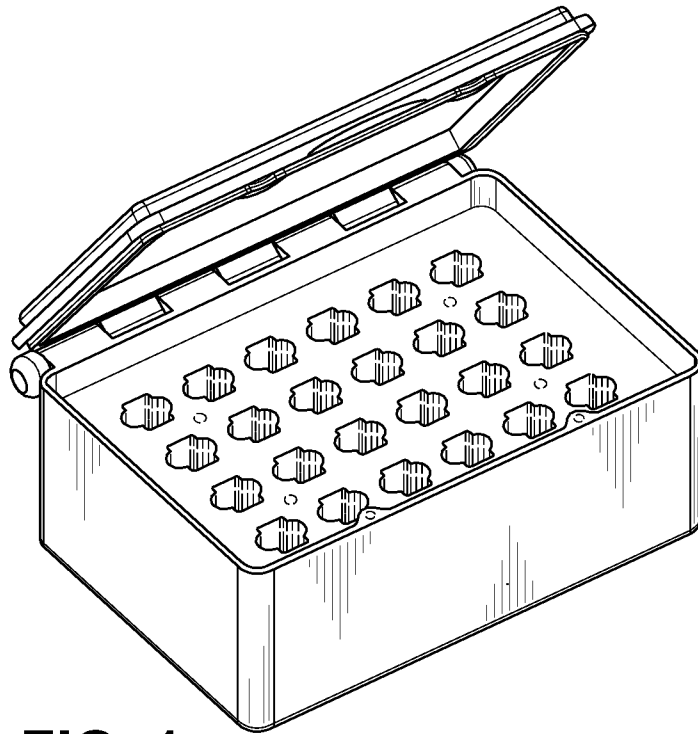


FIG. 1

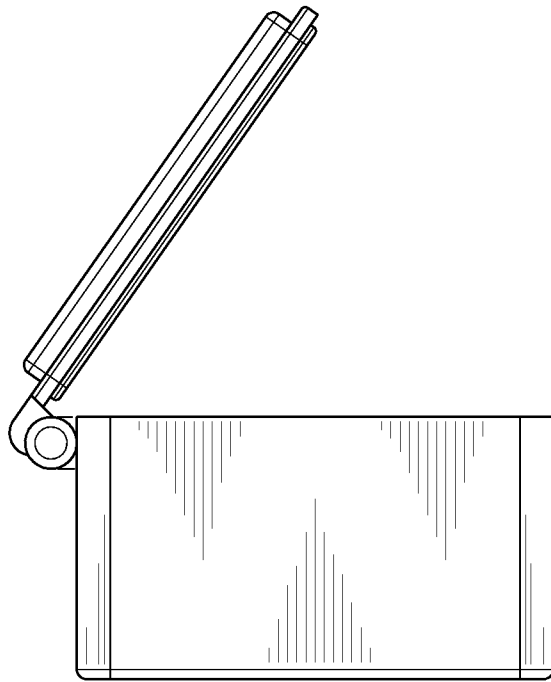


FIG. 2

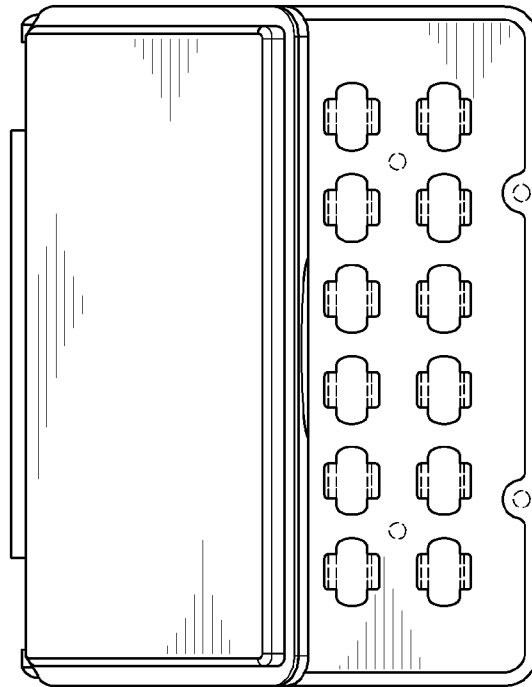


FIG. 3