



US00D788461S

(12) **United States Design Patent**  
**Tonelli**

(10) **Patent No.:** **US D788,461 S**

(45) **Date of Patent:** **\*\* Jun. 6, 2017**

(54) **TRUNK**

OTHER PUBLICATIONS

(71) Applicant: **G.T. LINE S.R.L.**, Valsamoggia (IT)

GT Line Web page, "Pivot Pel", Accessed Jan. 13, 2016, ([http://www.gtline.com/en/products/gt\\_line/133-PIVOT\\_PEL-Trolley\\_case/](http://www.gtline.com/en/products/gt_line/133-PIVOT_PEL-Trolley_case/)).\*

(72) Inventor: **Massimo Tonelli**, Casalecchio di Reno (IT)

\* cited by examiner

(73) Assignee: **G.T. LINE S.R.L.**, Valsamoggia (IT)

*Primary Examiner* — Jennifer Rivard

(\*\*) Term: **15 Years**

*Assistant Examiner* — April Rivas

(21) Appl. No.: **29/574,651**

(74) *Attorney, Agent, or Firm* — Cantor Colburn LLP

(22) Filed: **Aug. 17, 2016**

(57) **CLAIM**

The ornamental design for a trunk, as shown and described.

(30) **Foreign Application Priority Data**

**DESCRIPTION**

Feb. 24, 2016 (EM) ..... 002999953

(51) **LOC (10) Cl.** ..... **03-01**

(52) **U.S. Cl.**

USPC ..... **D3/279; D3/905**

(58) **Field of Classification Search**

USPC ..... D3/273, 276, 279, 281, 282, 289, 283,  
D3/905

CPC ..... A45C 5/00; A45C 5/03; A45C 2005/032;  
A45C 5/14

See application file for complete search history.

FIG. 1 is a perspective view of a trunk showing my new design;

FIG. 2 is a front view thereof;

FIG. 3 is a rear view thereof;

FIG. 4 is a left side view thereof;

FIG. 5 is a top view thereof;

FIG. 6 is a bottom view thereof;

FIG. 7 is a perspective bottom view thereof;

FIG. 8 is a right side view thereof;

FIG. 9 is a perspective view thereof, with the handle extended;

FIG. 10 is a perspective view of the trunk of another embodiment thereof;

FIG. 11 is a front view thereof;

FIG. 12 is a rear view thereof;

FIG. 13 is a left side view thereof;

FIG. 14 is a top view thereof;

FIG. 15 is a bottom view thereof;

FIG. 16 is a perspective bottom view thereof;

FIG. 17 is a right side view thereof; and,

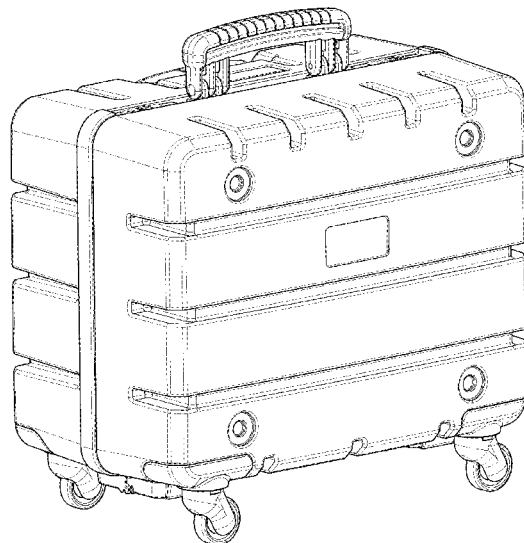
FIG. 18 is a perspective view thereof, with the handle extended.

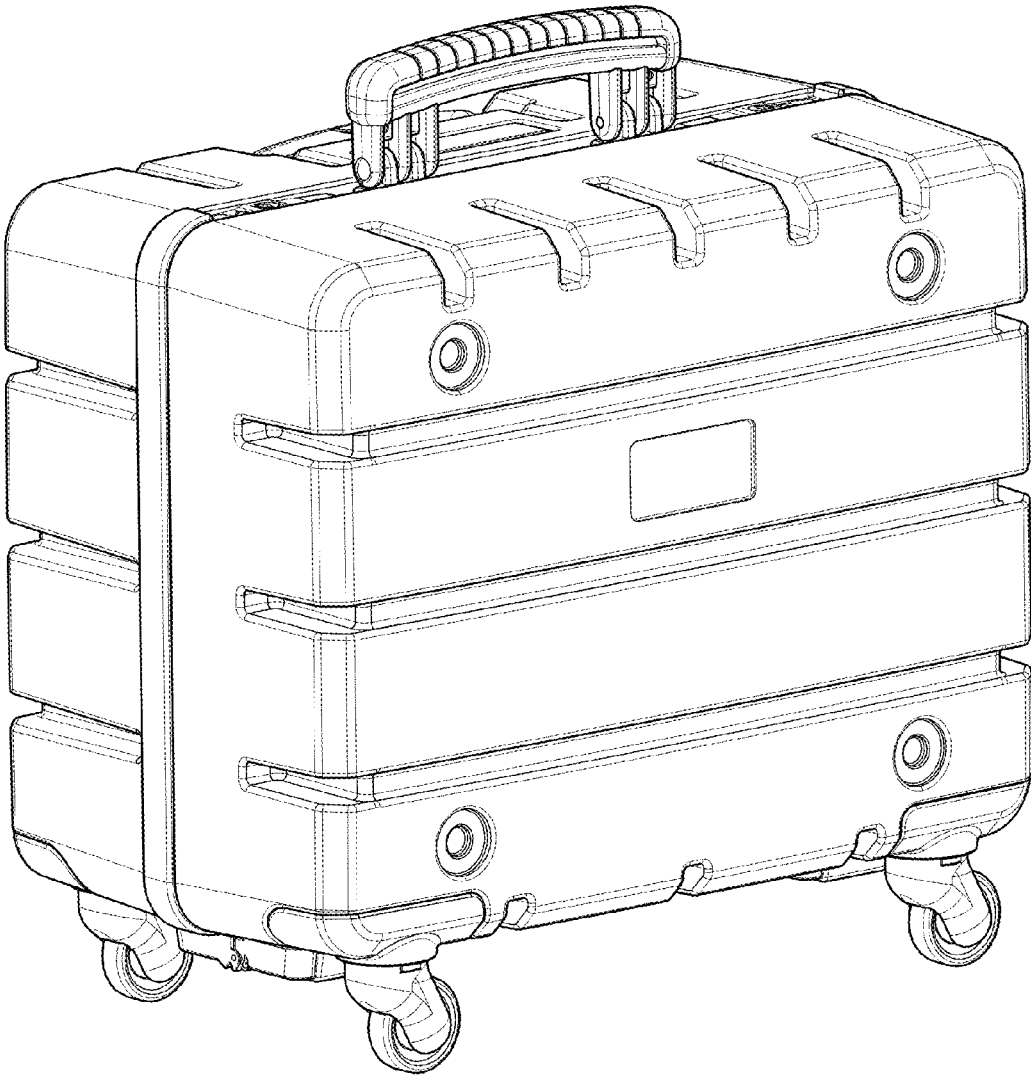
(56) **References Cited**

U.S. PATENT DOCUMENTS

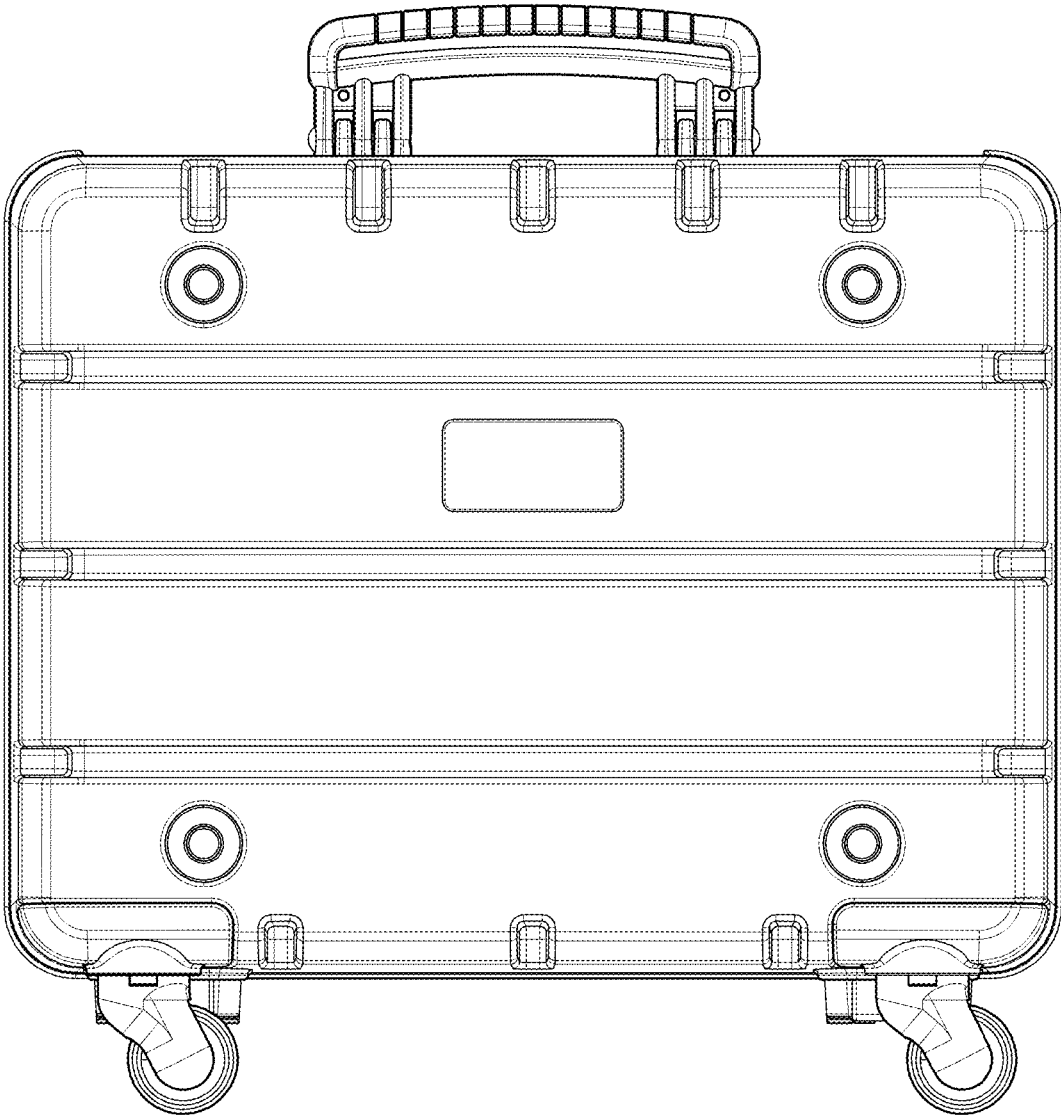
D298,486	S	*	11/1988	Jain	.....	D3/292
D311,276	S	*	10/1990	Workman	.....	D3/292
D319,731	S	*	9/1991	Reynolds, Jr.	.....	D3/292
D357,354	S	*	4/1995	Marchwiak	.....	D3/276
D438,381	S	*	3/2001	Sijmons	.....	D3/276
D582,674	S	*	12/2008	Meyerspeer	.....	D3/280
D675,018	S	*	1/2013	Roberts	.....	D3/279
D690,893	S	*	10/2013	O'Brien	.....	D34/25
D762,977	S	*	8/2016	Xu	.....	D3/279
2016/0051022	A1	*	2/2016	Morszeck	.....	A45C 5/02 190/18 A

**1 Claim, 18 Drawing Sheets**

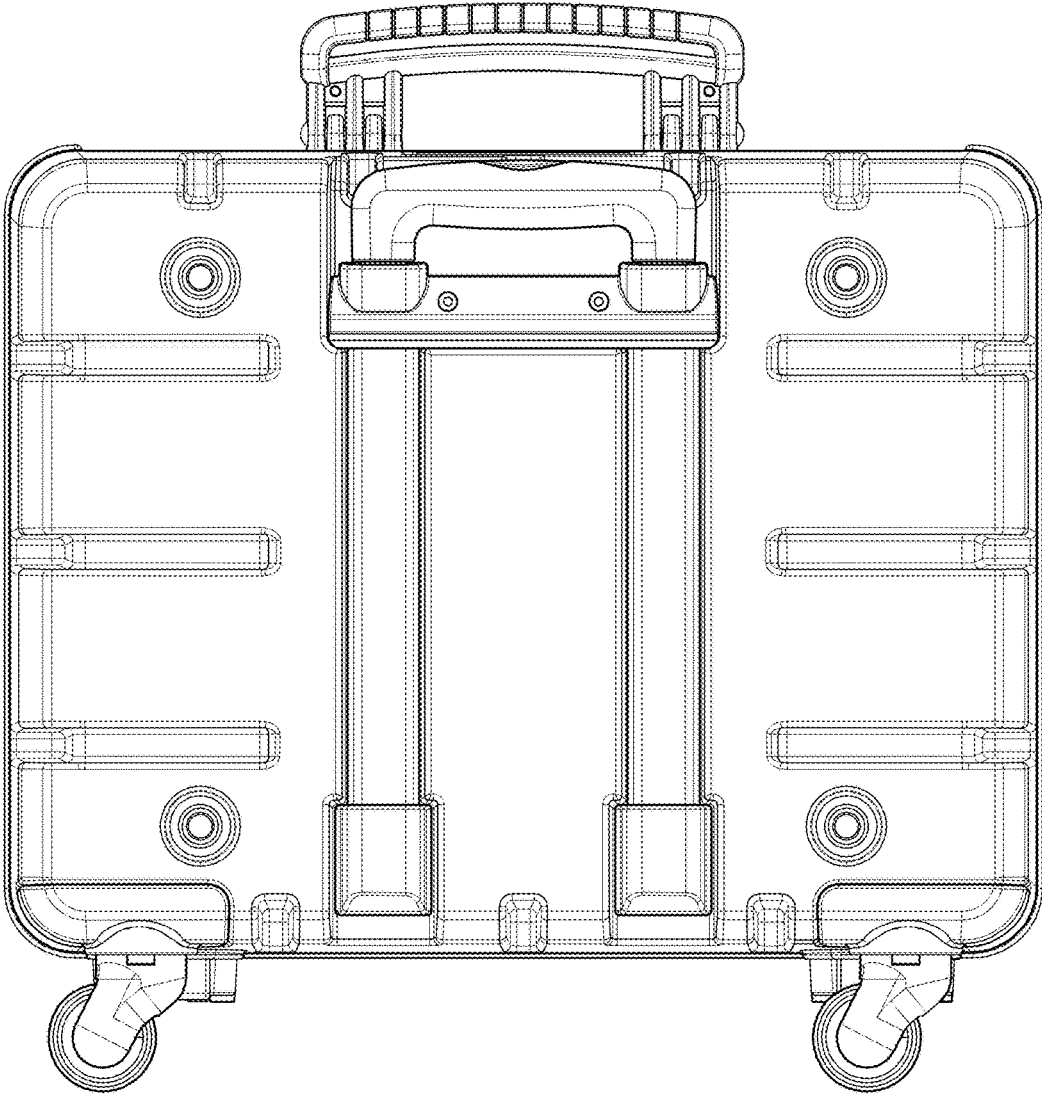




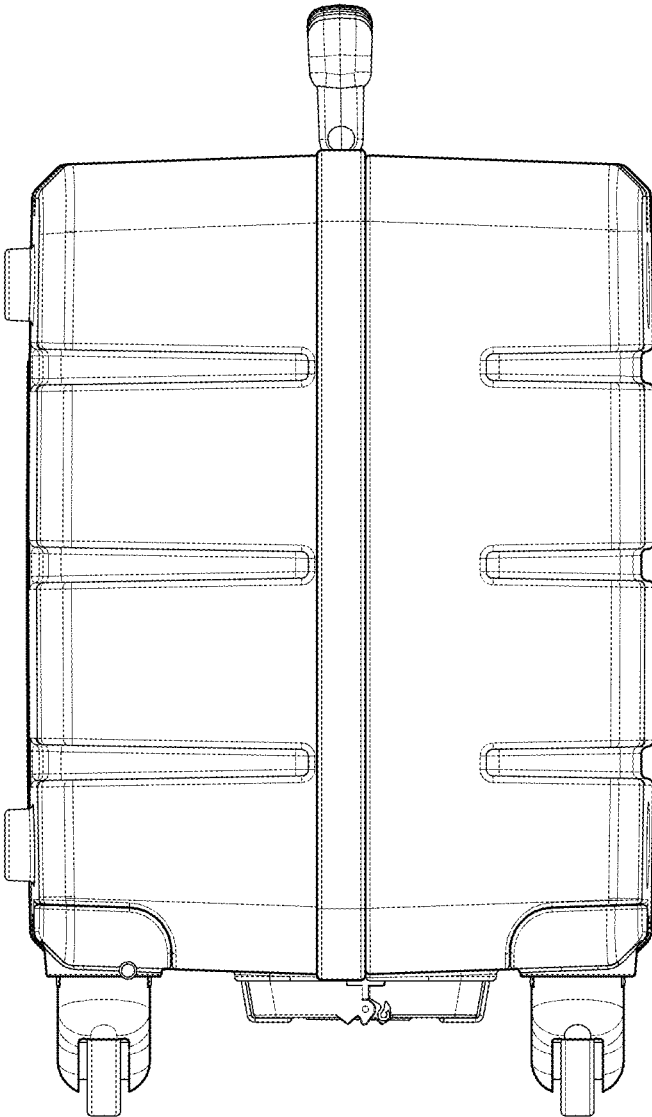
*Fig. 1*



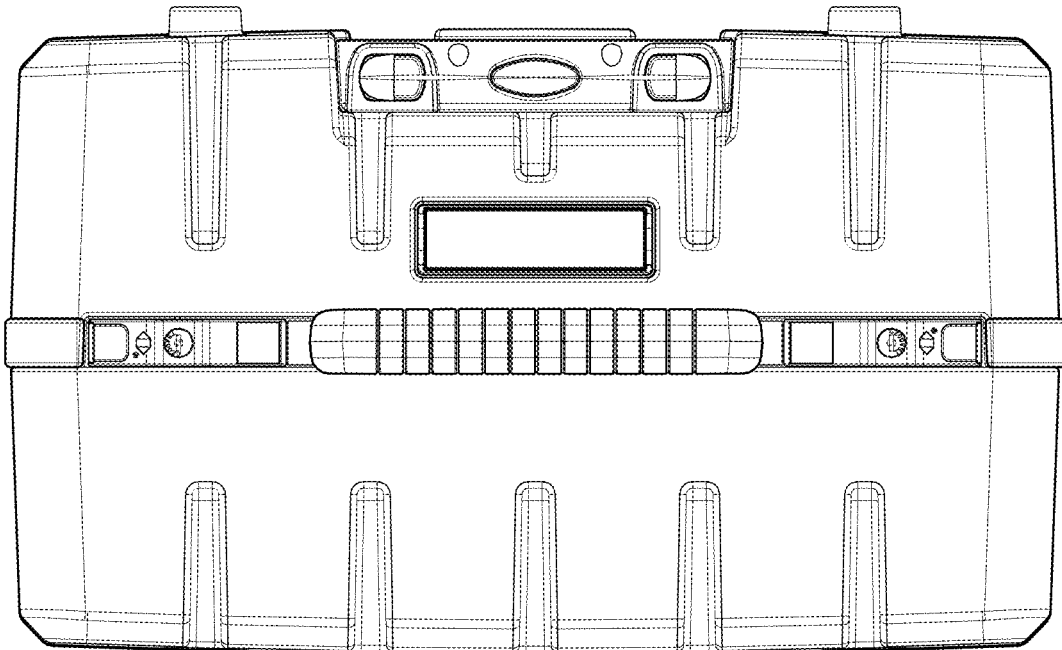
*Fig. 2*



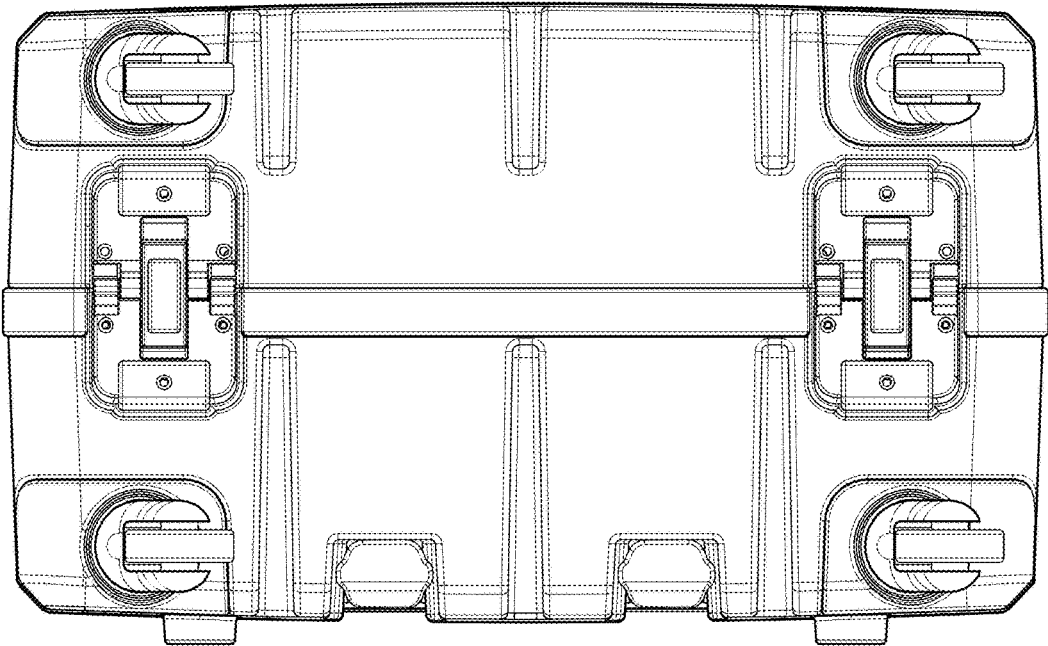
*Fig. 3*



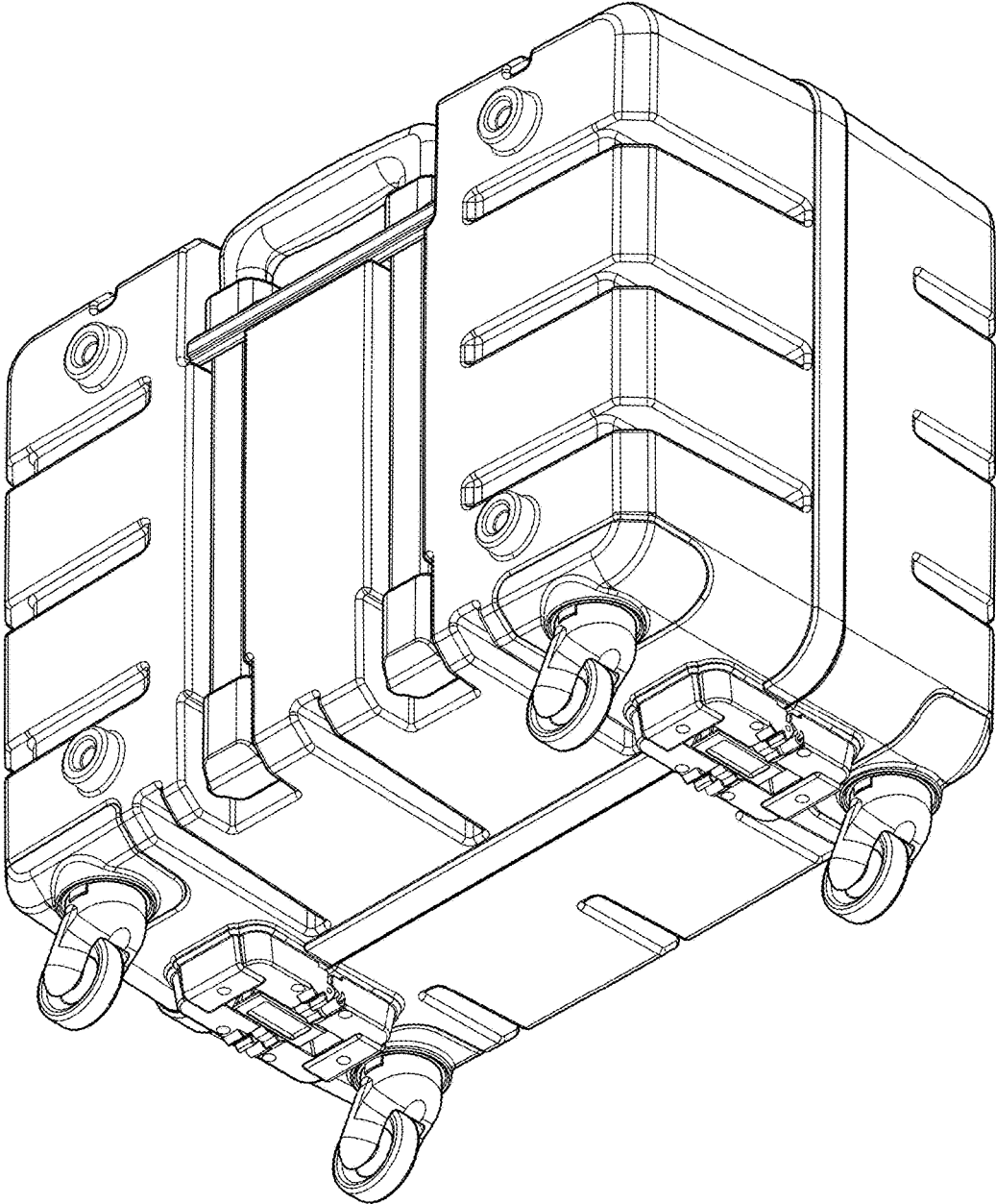
*Fig. 4*



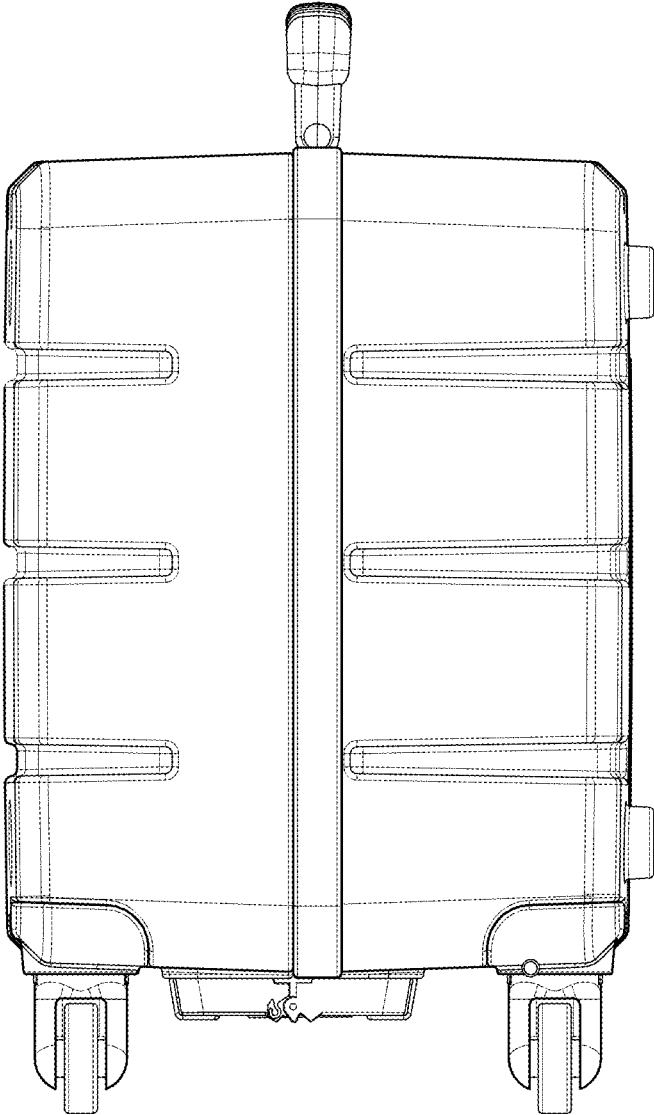
*Fig. 5*



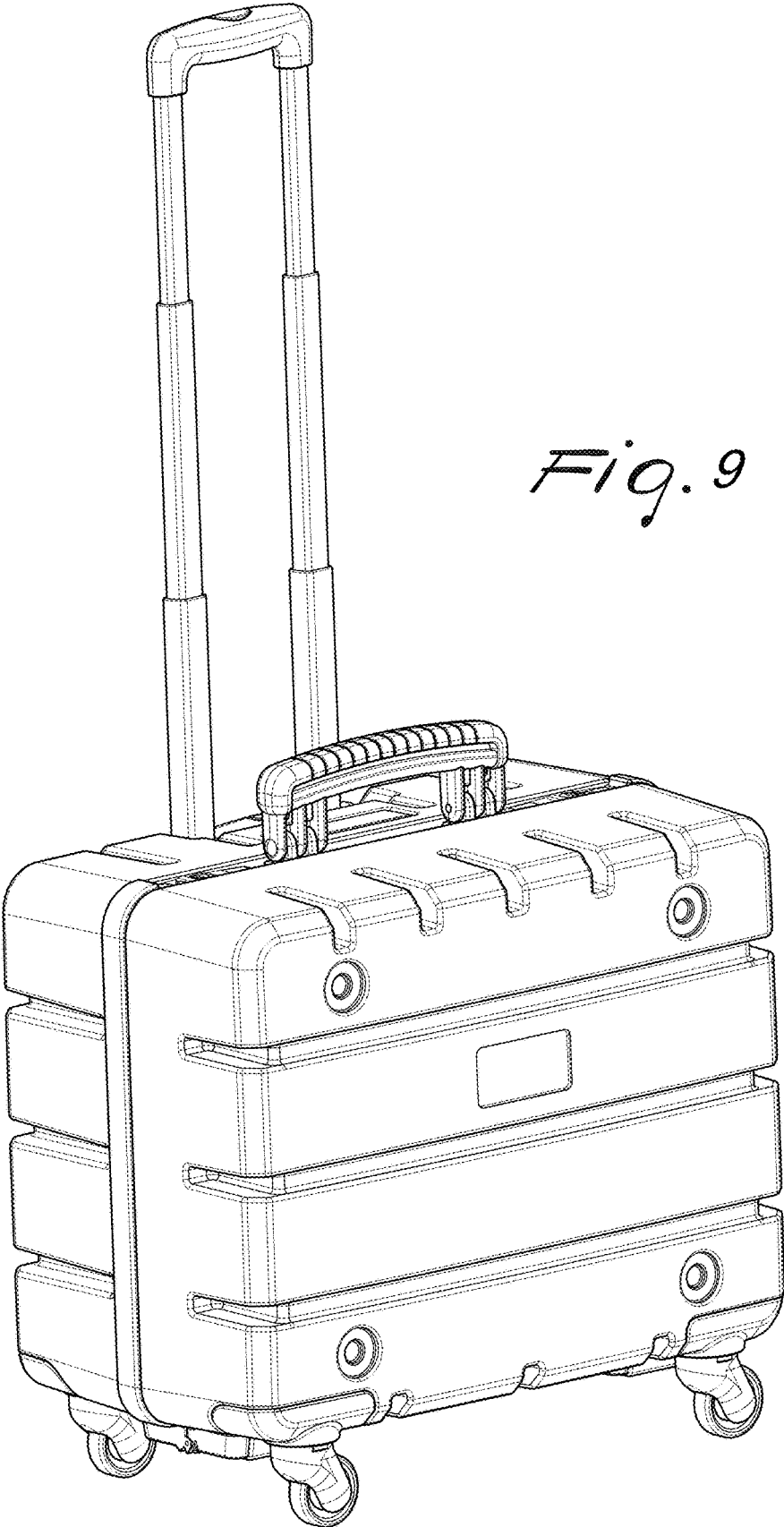
*Fig. 6*



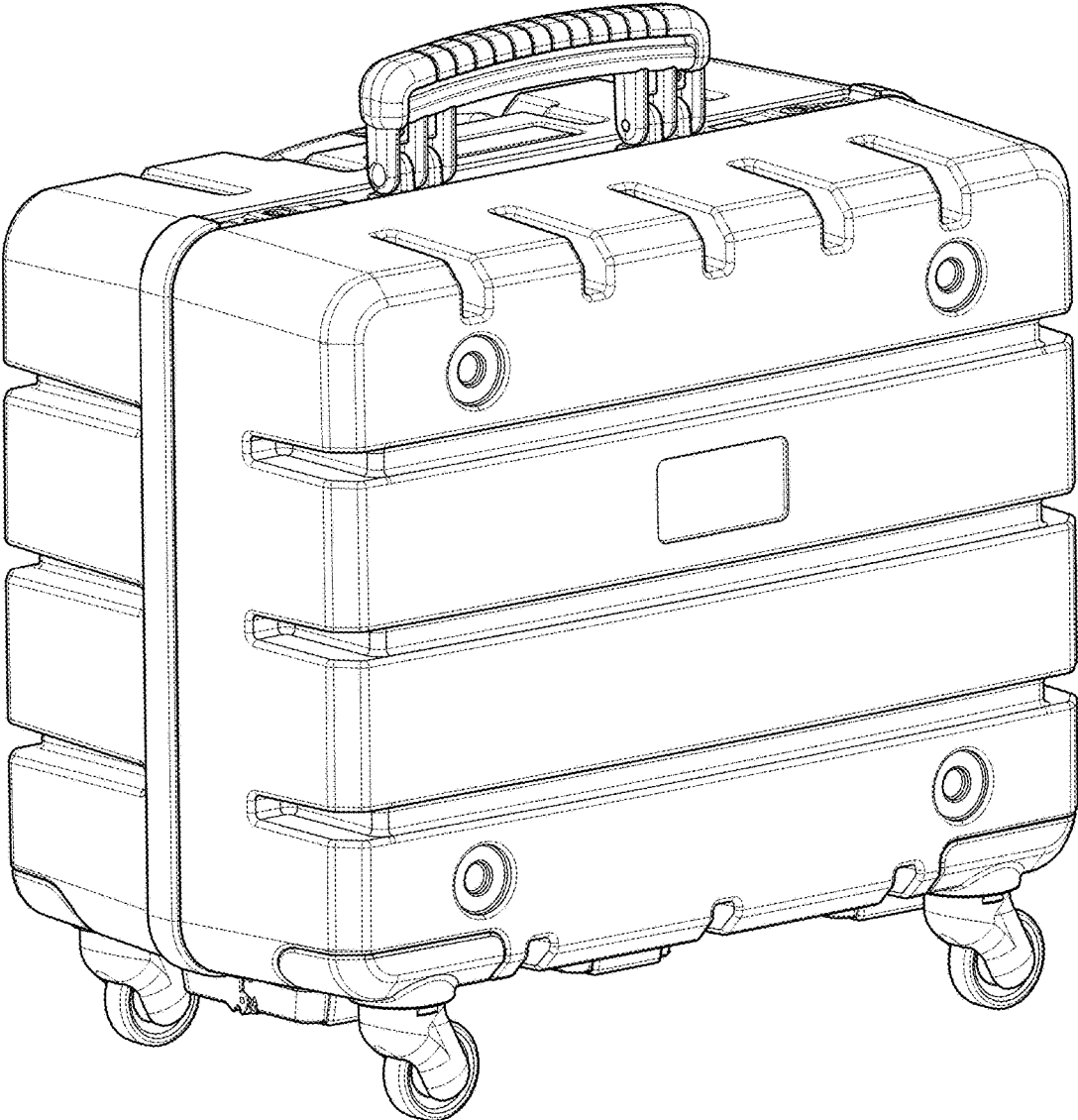
*Fig. 7*



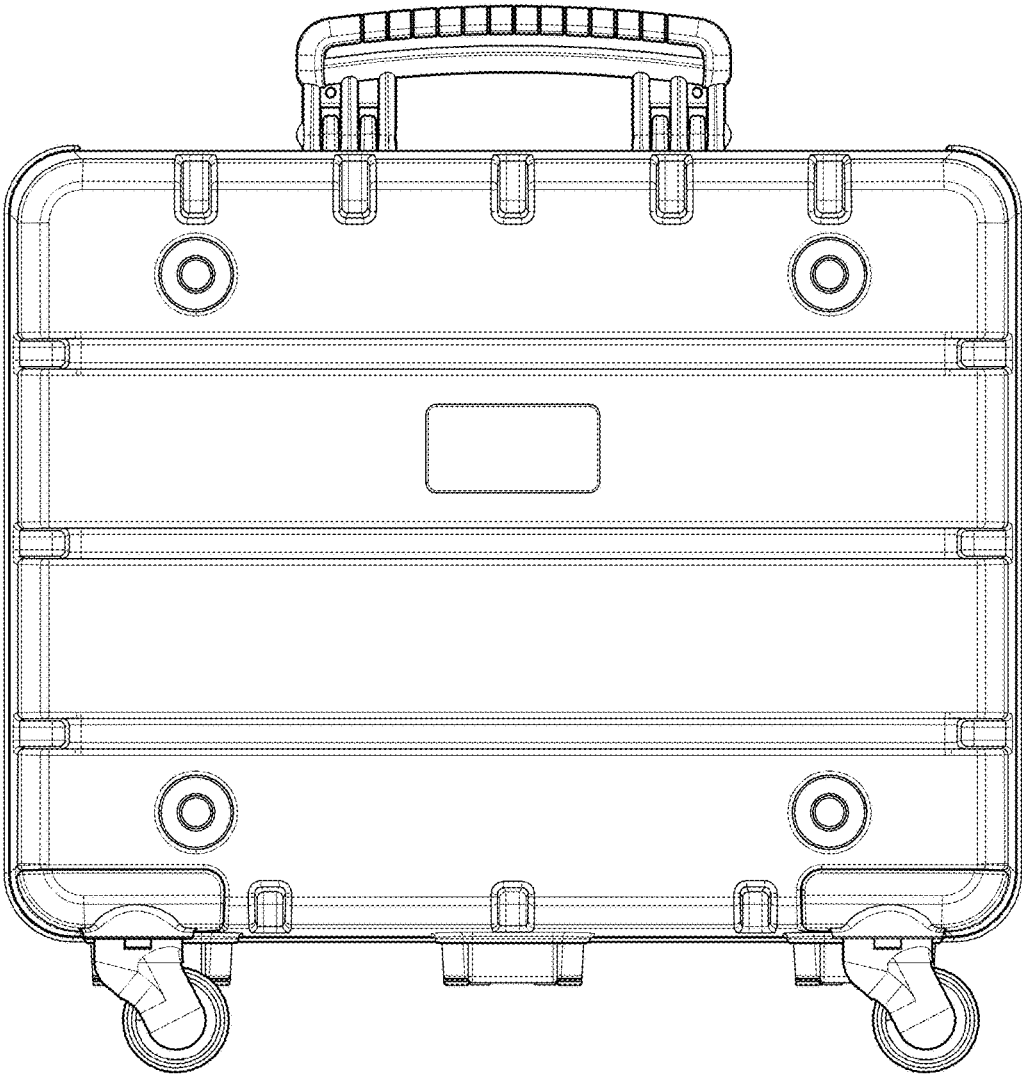
*Fig. 8*



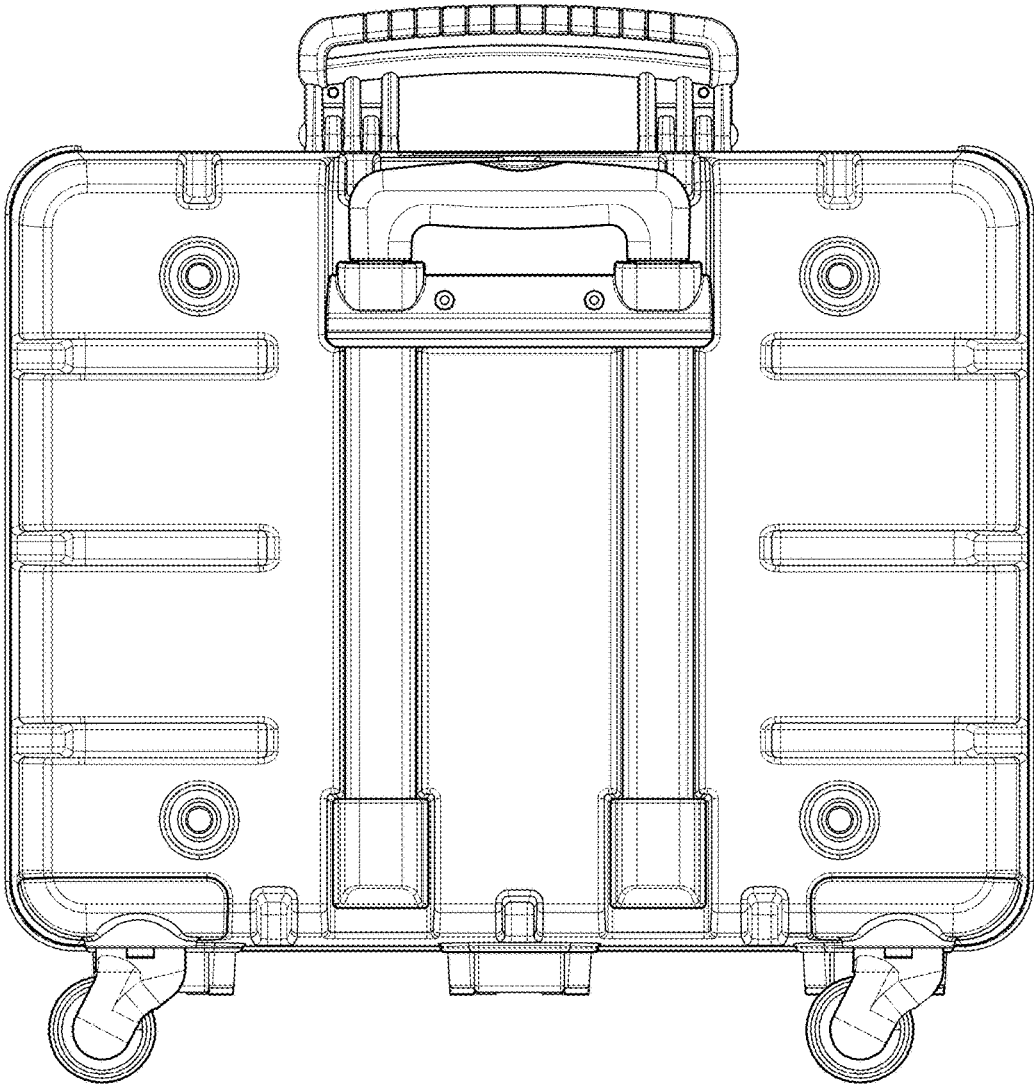
*Fig. 9*



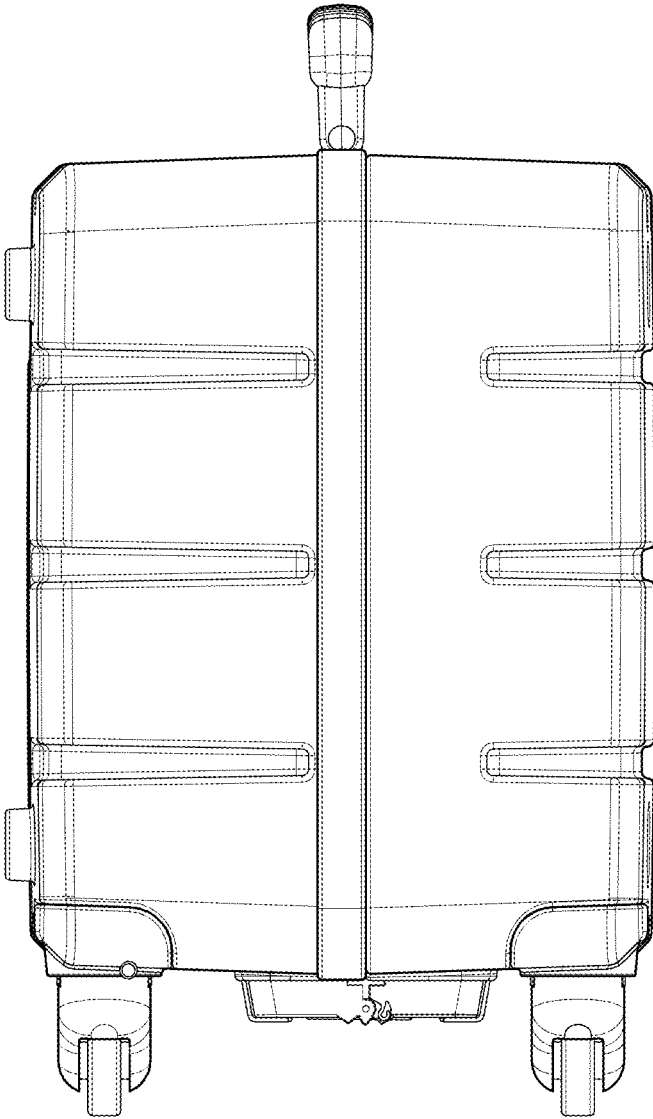
*Fig. 10*



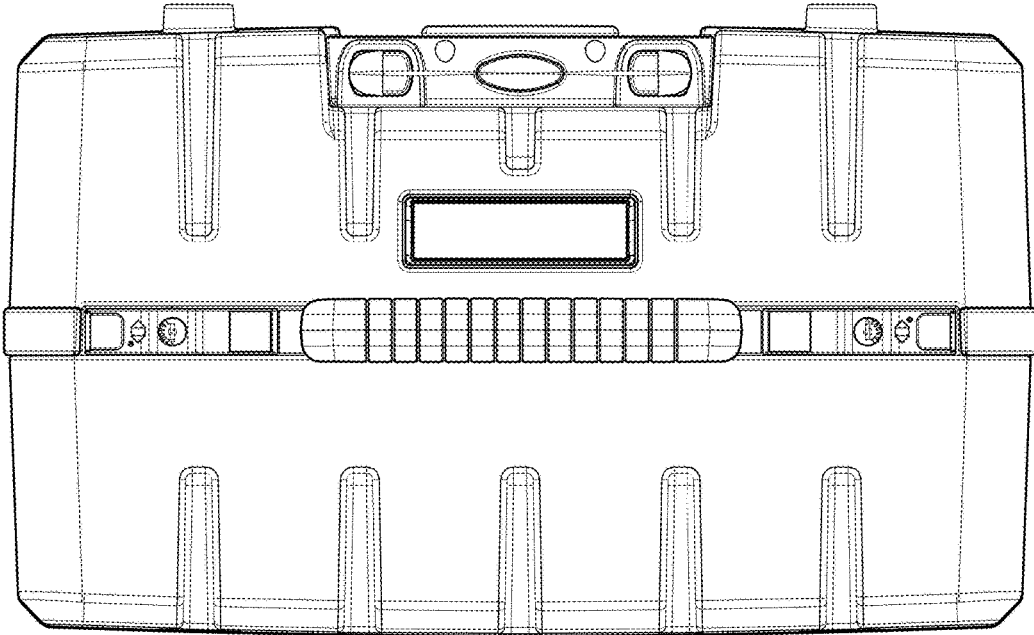
*Fig. 11*



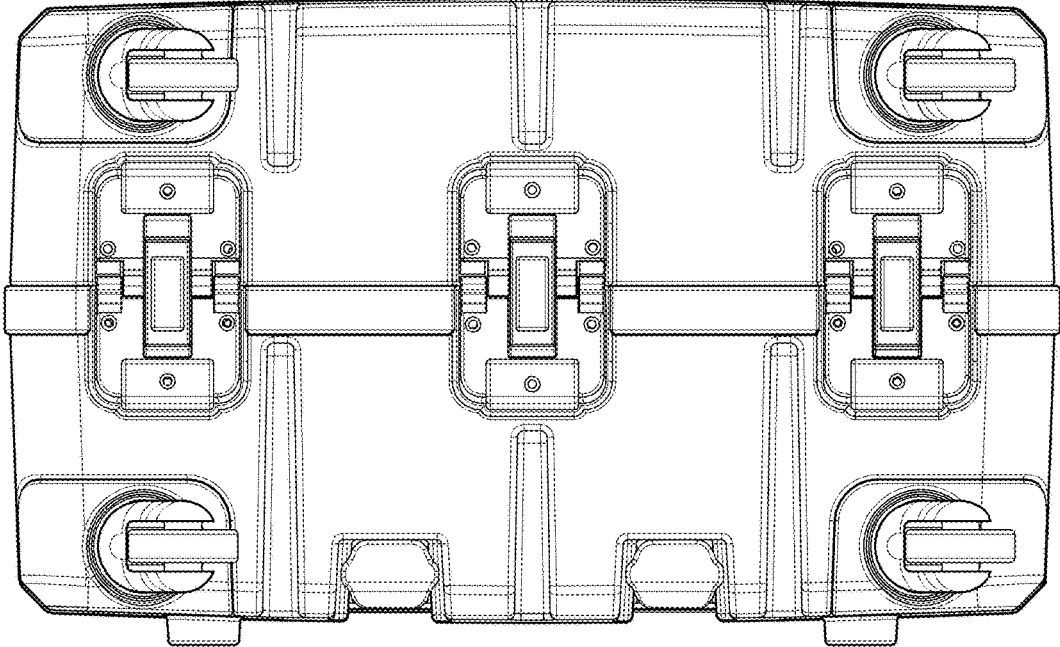
*Fig. 12*



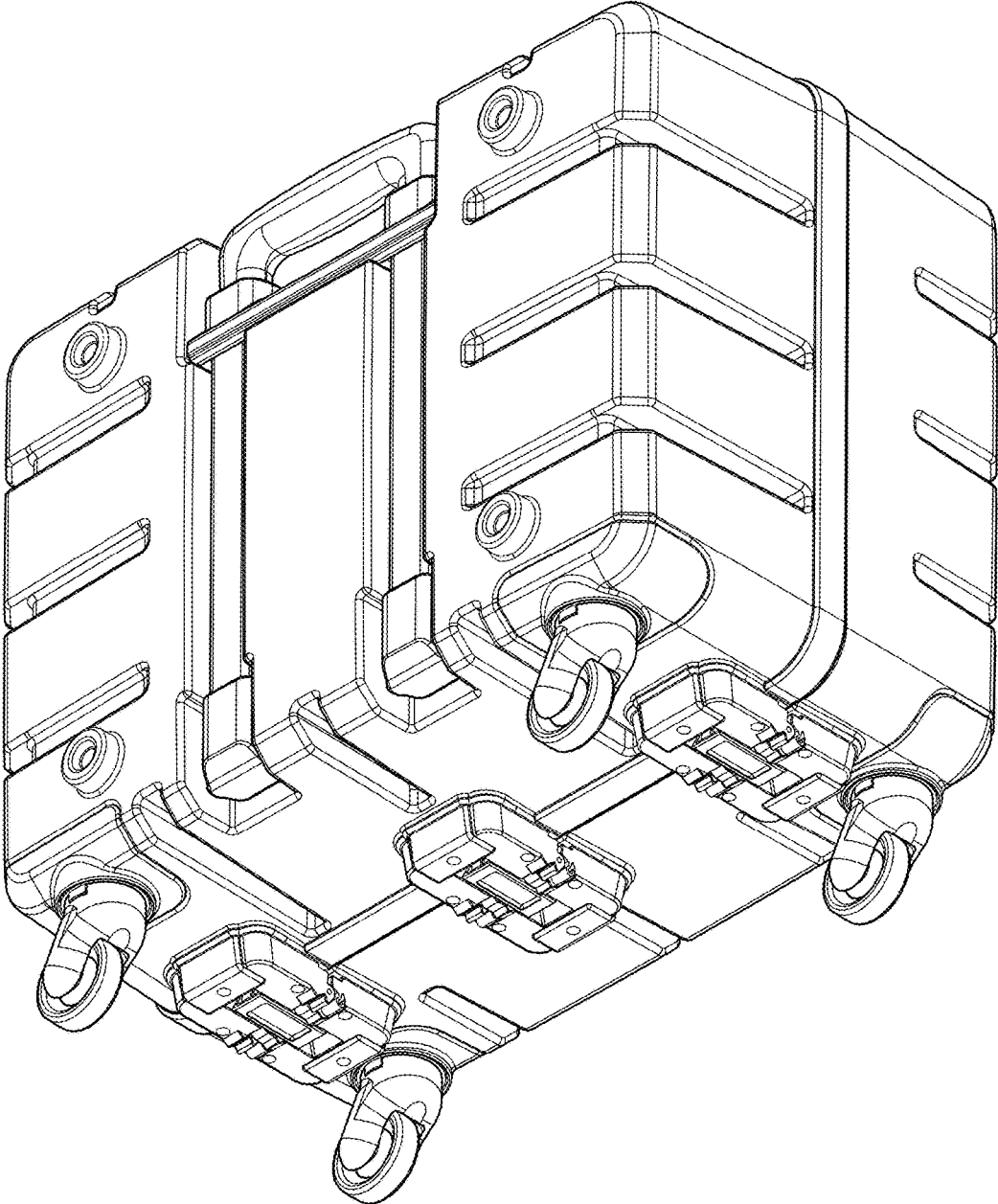
*Fig. 13*



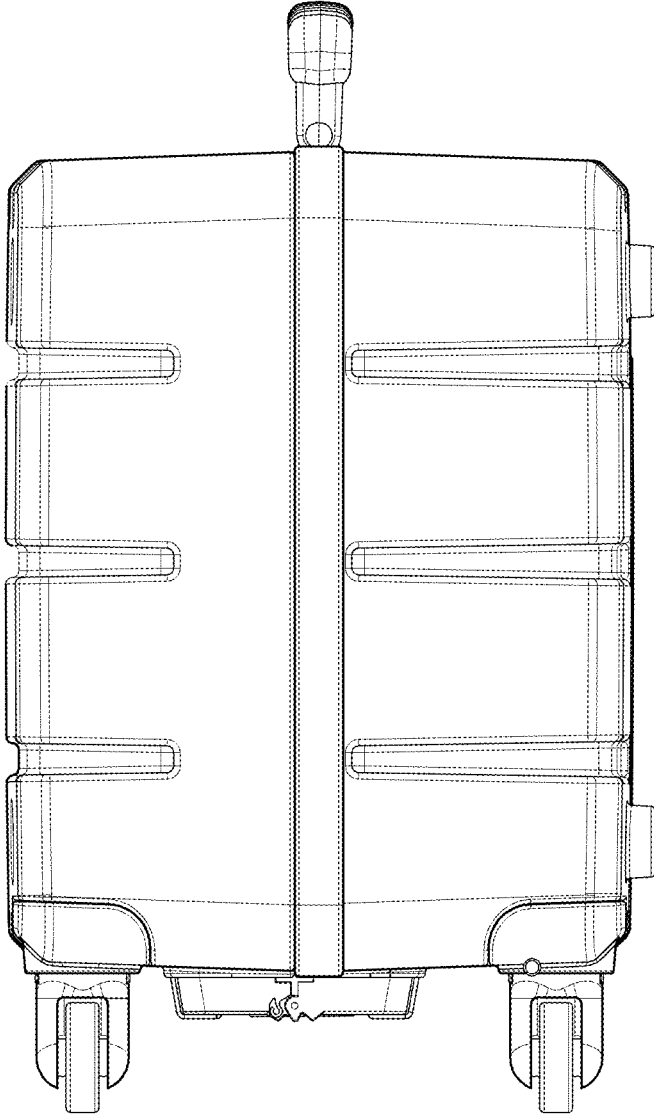
*Fig. 14*



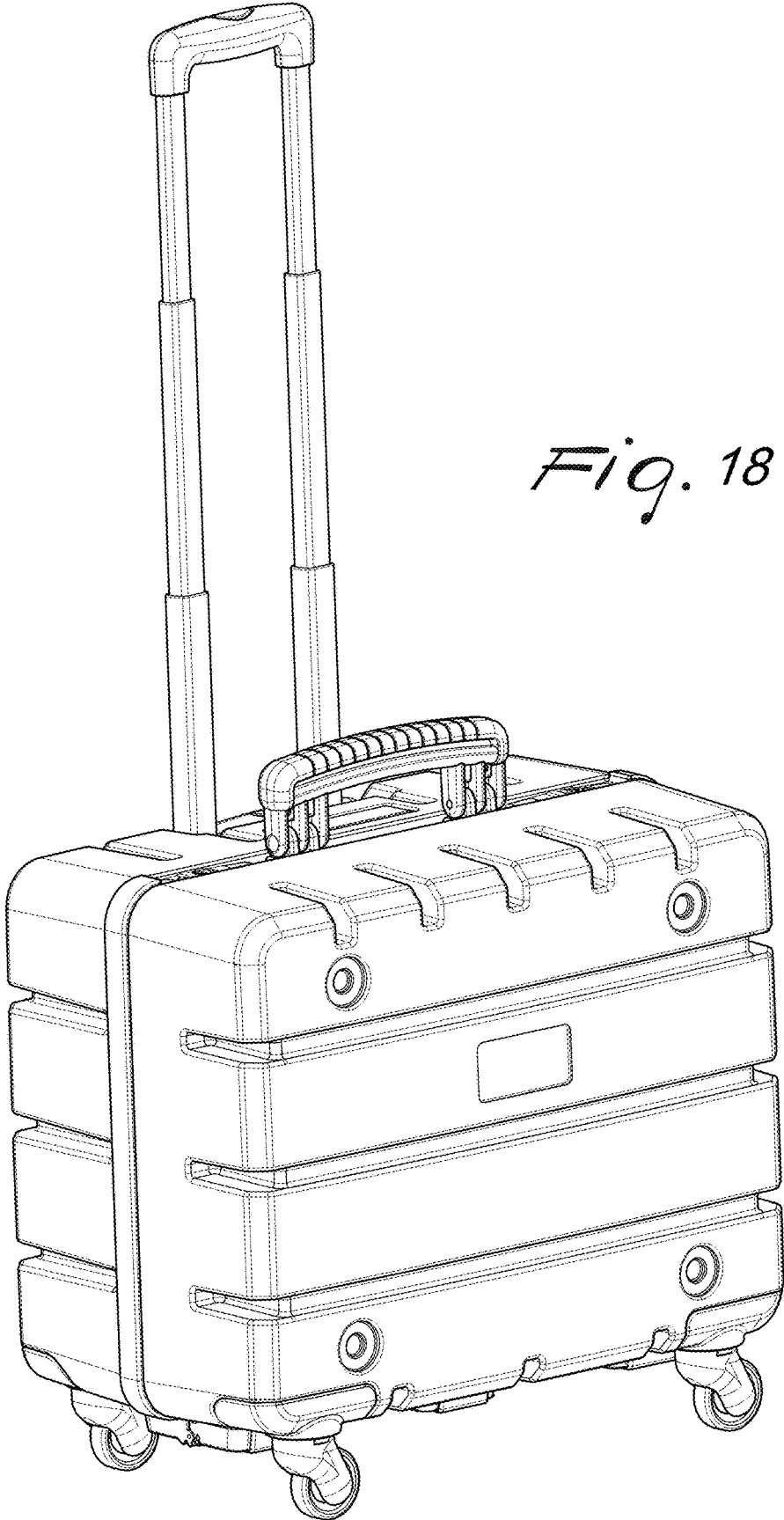
*Fig. 15*



*Fig. 16*



*Fig. 17*



*Fig. 18*