



US00D748940S

(12) **United States Design Patent**
Paslawski

(10) **Patent No.:** **US D748,940 S**

(45) **Date of Patent:** **** Feb. 9, 2016**

(54) **GRILL**

(75) Inventor: **Ray N. Paslawski**, Wildwood, MO (US)

(73) Assignee: **Positive Outcomes, Inc.**, Wildwood, MO (US)

(**) Term: **14 Years**

(21) Appl. No.: **29/397,580**

(22) Filed: **Jul. 18, 2011**

(51) **LOC (10) Cl.** **07-02**

(52) **U.S. Cl.**
USPC **D7/332**

(58) **Field of Classification Search**
USPC D7/332, 334-337, 402-407, 409;
126/25 R, 25 A, 25 AA, 29-30, 9 R,
126/37-38, 41 R, 40-50, 332, 39 M, 214 R,
126/307 R, 334 R, 276, 268; 99/481, 482;
D6/511; 219/461.1; 312/100, 236
See application file for complete search history.

(56) **References Cited**

U.S. PATENT DOCUMENTS

D314,882 S *	2/1991	Bethel, Jr.	D7/334
D373,282 S *	9/1996	Cordero	D7/334
D385,146 S *	10/1997	Fielding et al.	D7/332
D396,599 S *	8/1998	Smith, Jr.	D7/332
D421,200 S *	2/2000	Taylor, Jr.	D7/332

D425,367 S *	5/2000	Cragg	D7/402
D435,998 S *	1/2001	Mak	D7/332
D465,381 S *	11/2002	Favela	D7/334
D465,694 S *	11/2002	Favela	D7/334
D465,962 S *	11/2002	Favela	D7/335
D482,230 S *	11/2003	Lai	D7/332
D496,554 S *	9/2004	Lai	D7/332
D563,148 S *	3/2008	Henry	D7/334
D638,660 S *	5/2011	Ayers, III	D7/402

* cited by examiner

Primary Examiner — Ruth McInroy

(74) *Attorney, Agent, or Firm* — Polster, Lieder, Woodruff & Lucchesi, L.C.

(57) **CLAIM**

The ornamental design for a grill, as shown and described.

DESCRIPTION

FIG. 1 is a front perspective view of a grill showing my new design;

FIG. 2 is a front view thereof;

FIG. 3 is a rear view thereof;

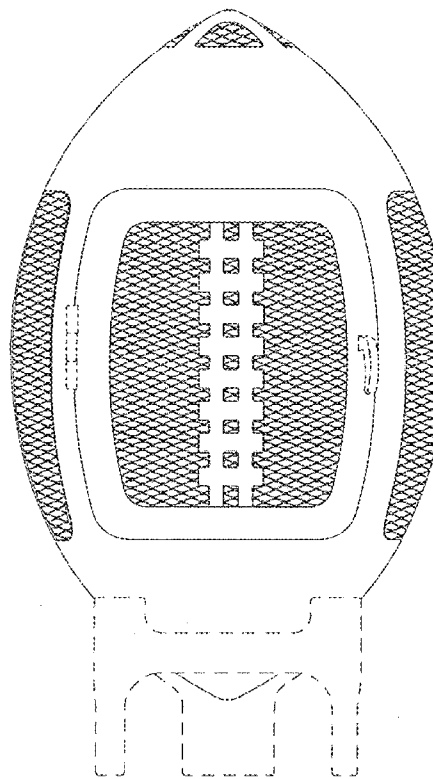
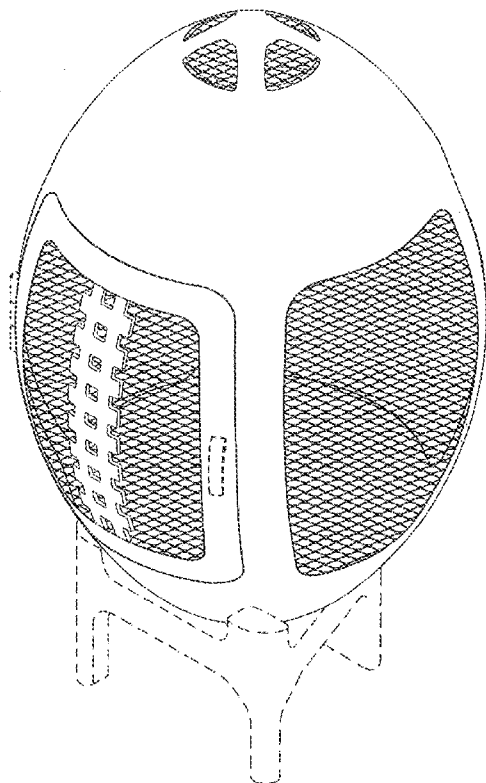
FIG. 4 is a right side view thereof;

FIG. 5 is a left side view thereof; and,

FIG. 6 is a top view thereof.

The details shown in broken lines form no part of the claimed design.

1 Claim, 6 Drawing Sheets



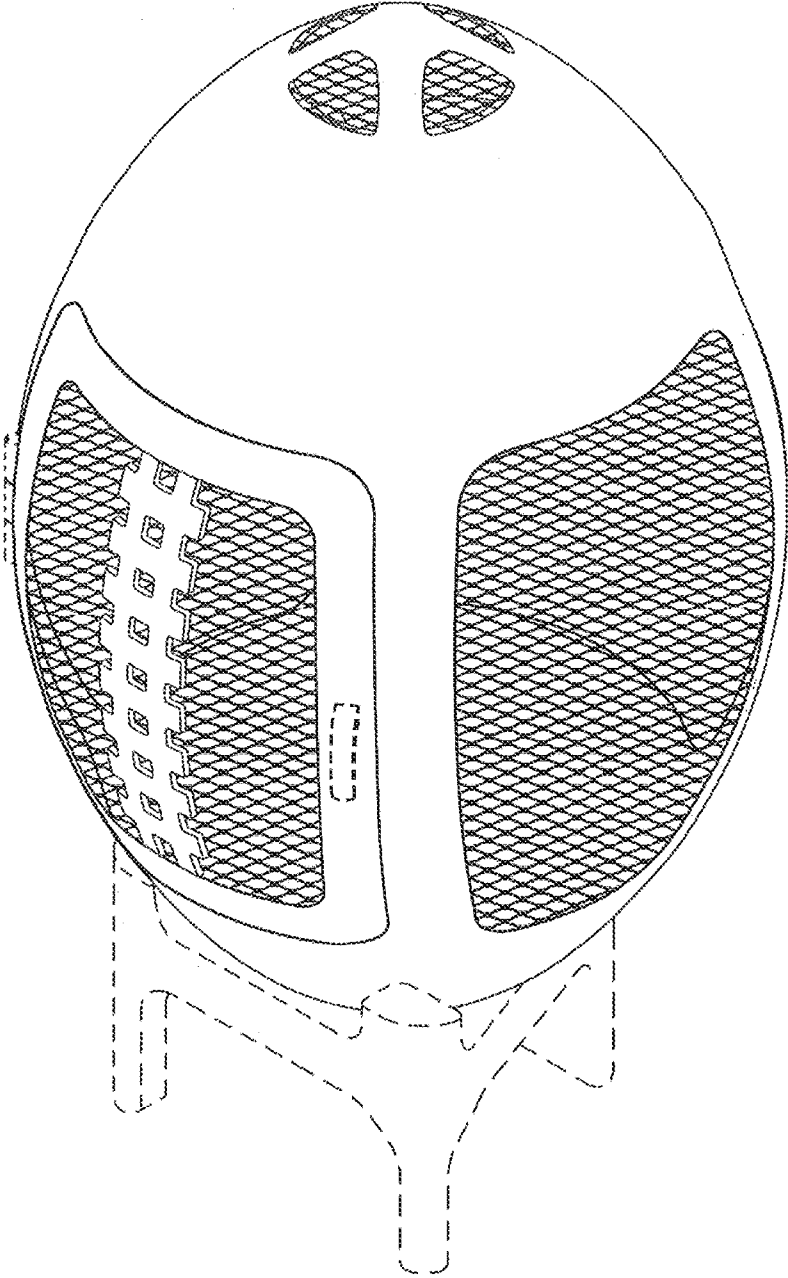


Fig. 1

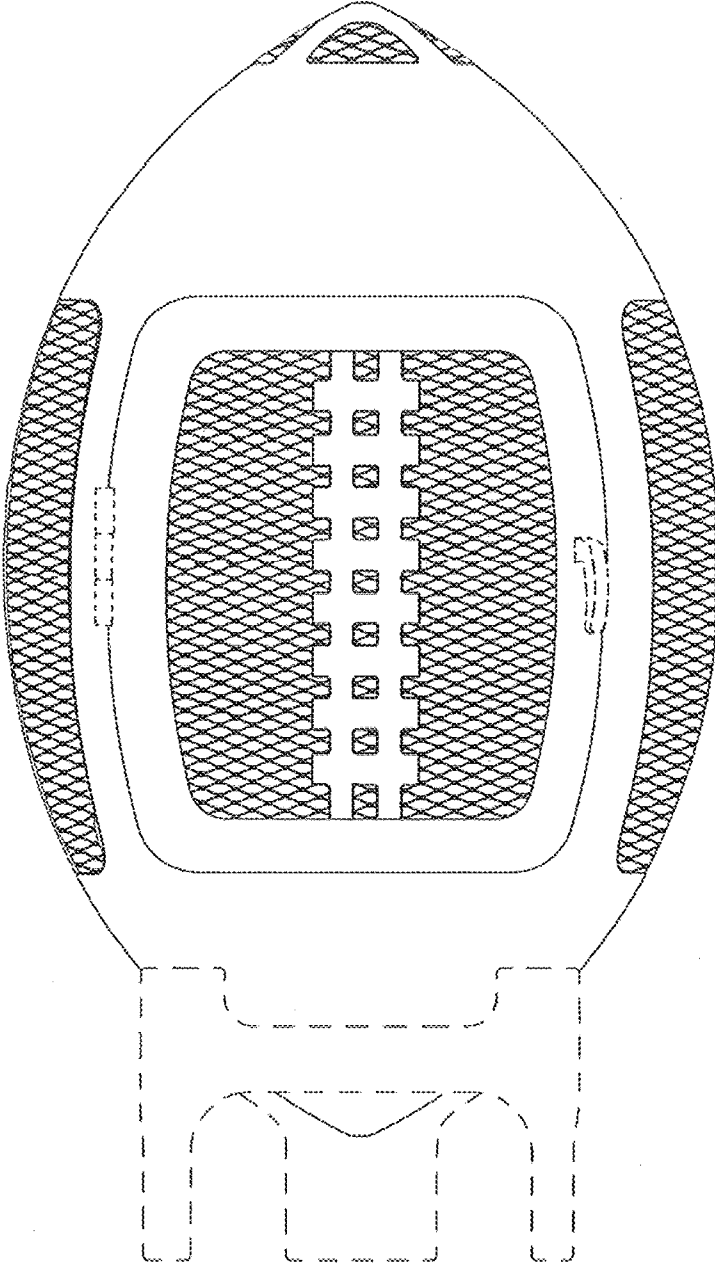


Fig. 2

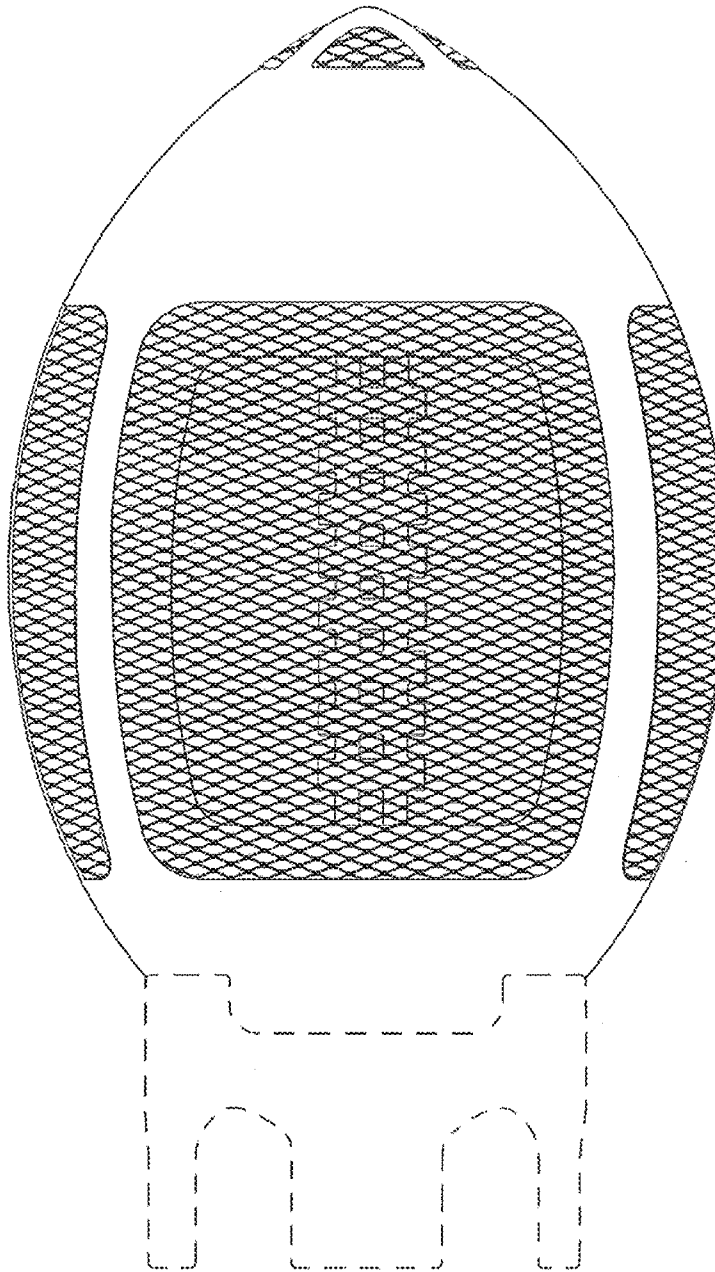


Fig. 3

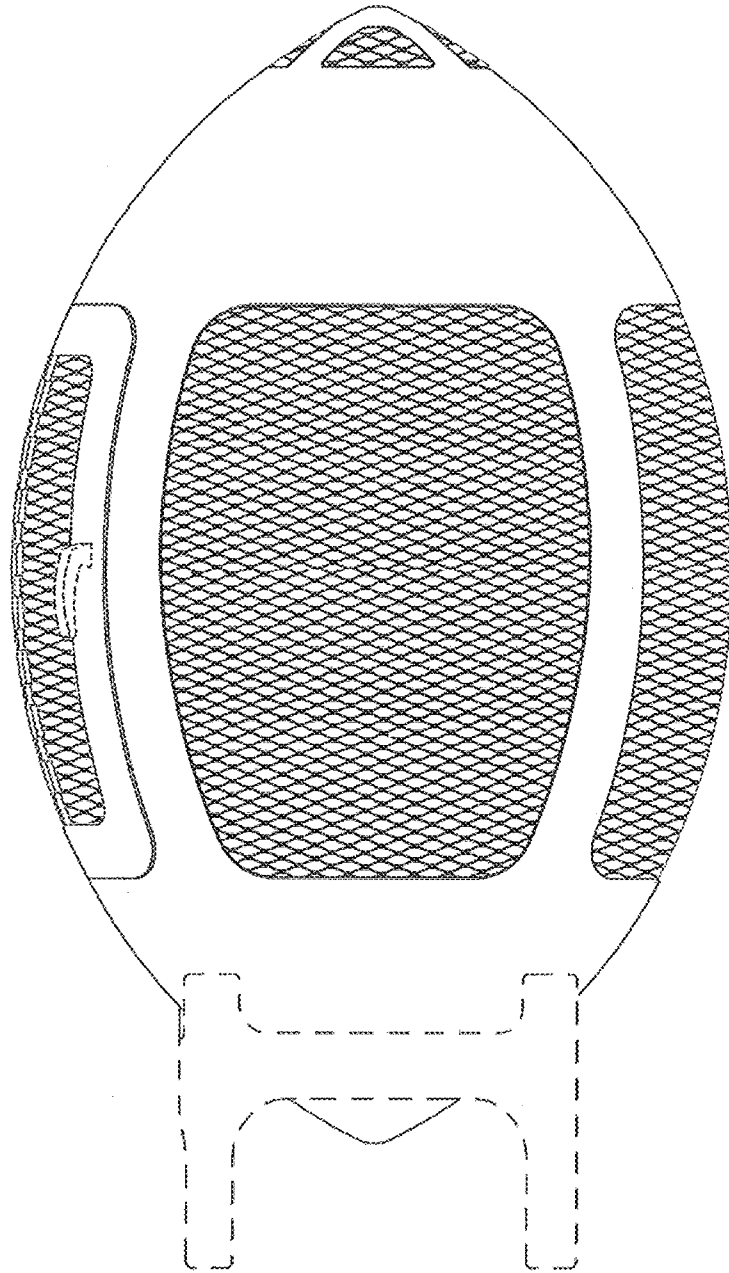


Fig. 4

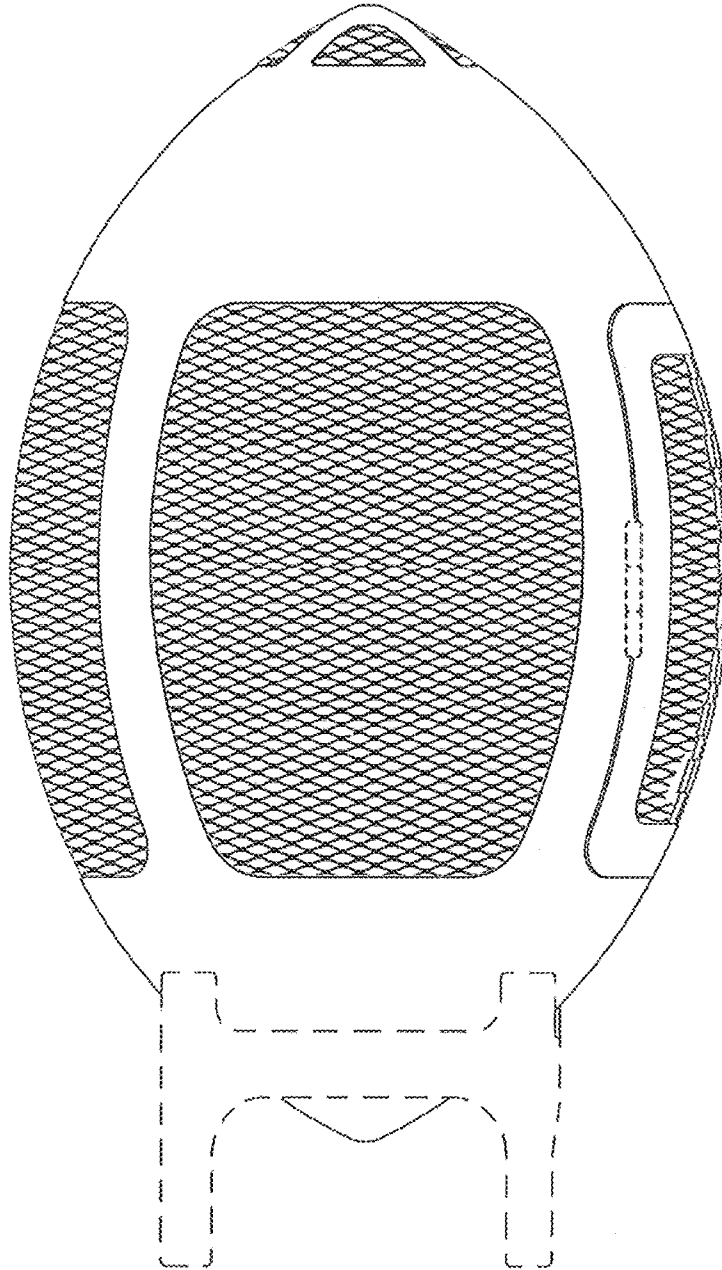


Fig.5

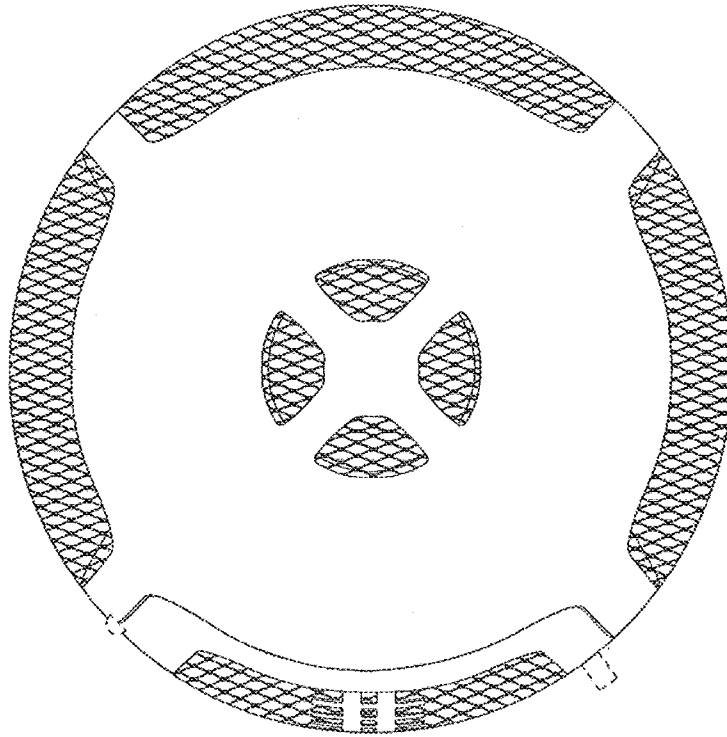


Fig.6