



US00D528486S

(12) **United States Design Patent** (10) **Patent No.:** **US D528,486 S**
Stahel et al. (45) **Date of Patent:** **** Sep. 19, 2006**

(54) **MOTORCYCLE LICENSE PLATE COVER**
(75) Inventors: **Alwin J. Stahel**, New Brighton, MN (US); **Brian K. Stahel**, New Brighton, MN (US)

(73) Assignee: **Kuryakyn Holdings, Inc.**, Somerset, WI (US)

(**) Term: **14 Years**

(21) Appl. No.: **29/237,957**

(22) Filed: **Sep. 8, 2005**

(51) **LOC (8) Cl.** **12-16**

(52) **U.S. Cl.** **D12/193**

(58) **Field of Classification Search** D12/110, D12/193; D6/300-303, 310-314; 40/200-210; 180/219; D26/28-35; 362/473, 546, 549, 362/497-499

See application file for complete search history.

(56) **References Cited**

U.S. PATENT DOCUMENTS

4,956,930 A	9/1990	Troncoso
D313,787 S	1/1991	Williams
D370,450 S	6/1996	Doan
6,556,337 B1	4/2003	Wright

OTHER PUBLICATIONS

Custom Chrome ® Chrome Specialties ® 2003 catalog, chrome license plate frame with auxiliary brake light, product number 78056, and Ness-Tech ® License Frame with

Lights, shown on p. 5.39.*
Kuryakyn Catalogue pages, 1999 (2 pages).
Kuryakyn Catalogue pages, 2004 (4 pages).

* cited by examiner

Primary Examiner—Alan P. Douglas

Assistant Examiner—Linda Brooks

(74) *Attorney, Agent, or Firm*—Dicke, Billig & Czaja, PLLC

(57) **CLAIM**

The ornamental design for a motorcycle license plate cover, as shown and described.

DESCRIPTION

FIG. 1 is a perspective view of the motorcycle license plate cover of the present invention.

FIG. 2 is a front elevational view of the motorcycle license plate cover of FIG. 1.

FIG. 3 is a rear elevational view of the motorcycle license plate cover of FIG. 1.

FIG. 4 is a right side elevational view of the motorcycle license plate cover of FIG. 1.

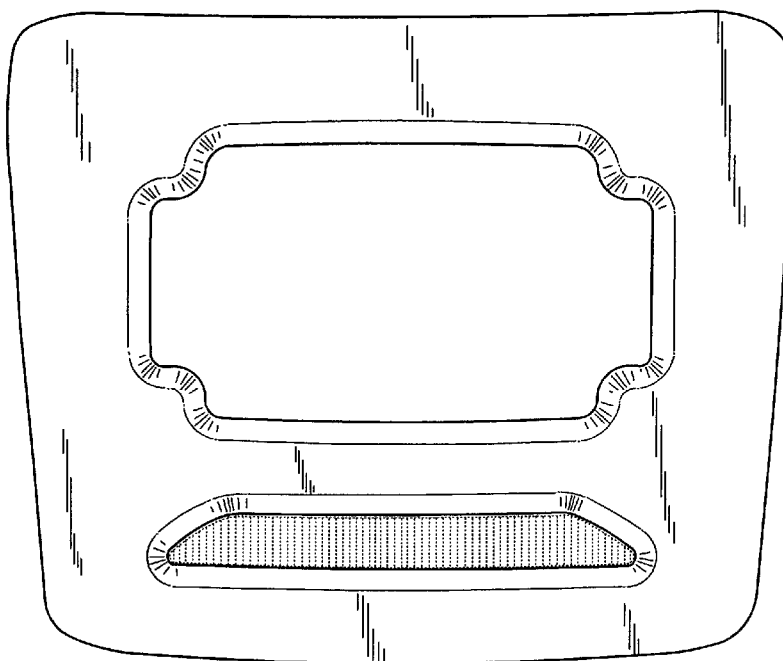
FIG. 5 is a left side elevational view of the motorcycle license plate cover of FIG. 1.

FIG. 6 is a top plan view of the motorcycle license plate cover of FIG. 1; and,

FIG. 7 is a bottom plan view of the motorcycle license plate cover of FIG. 1.

The broken lines in the Figures are for illustrative purposes only and form no part of the present invention.

1 Claim, 7 Drawing Sheets



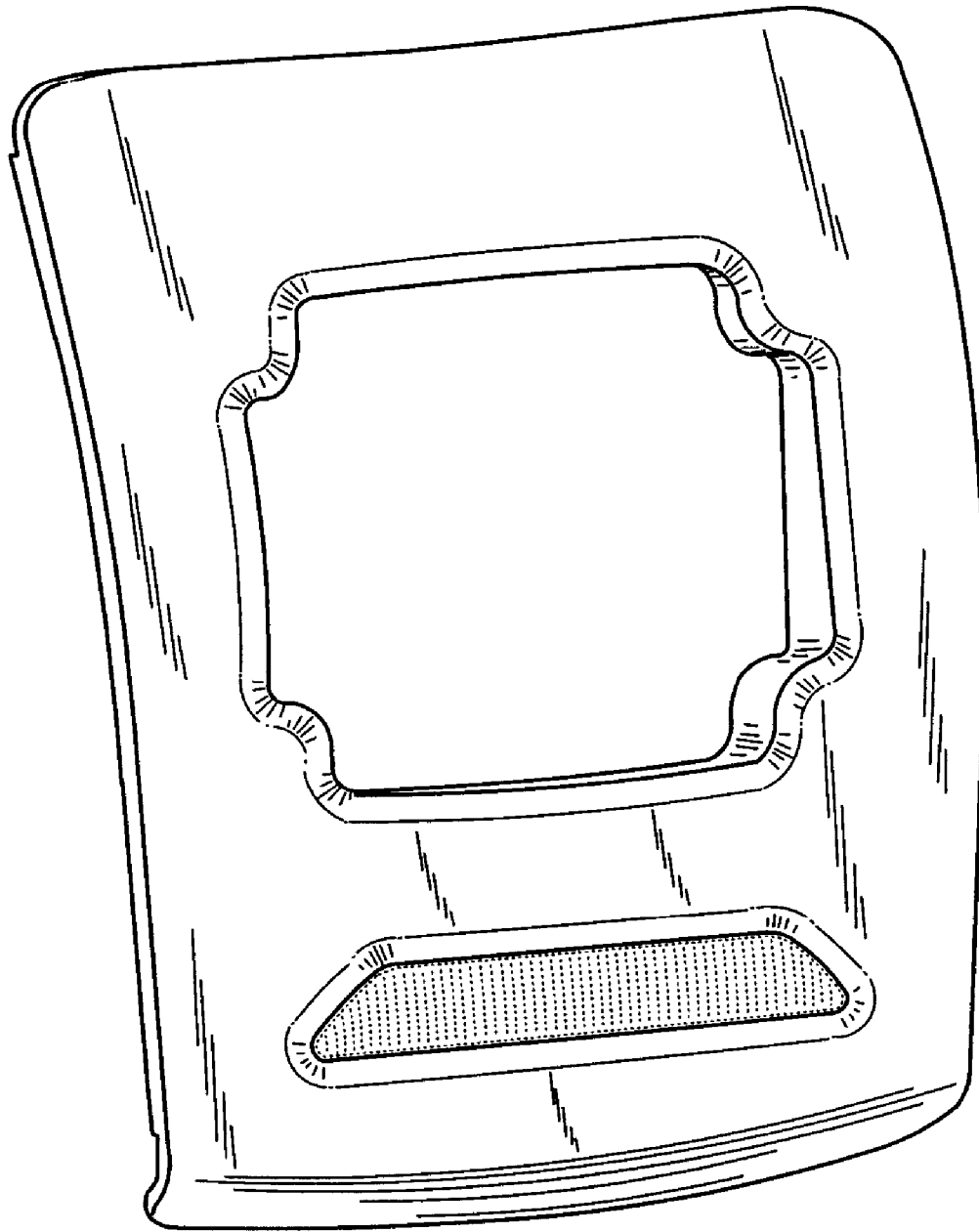


Fig. 1

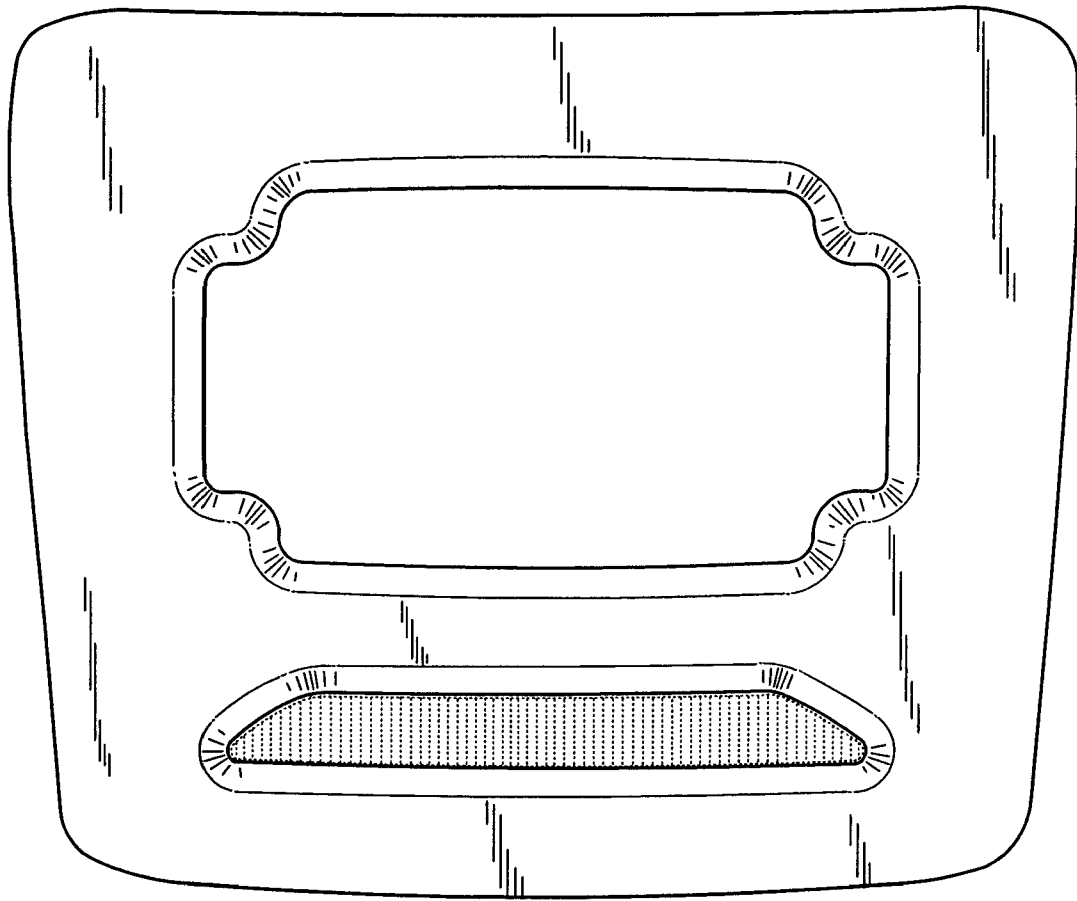


Fig. 2

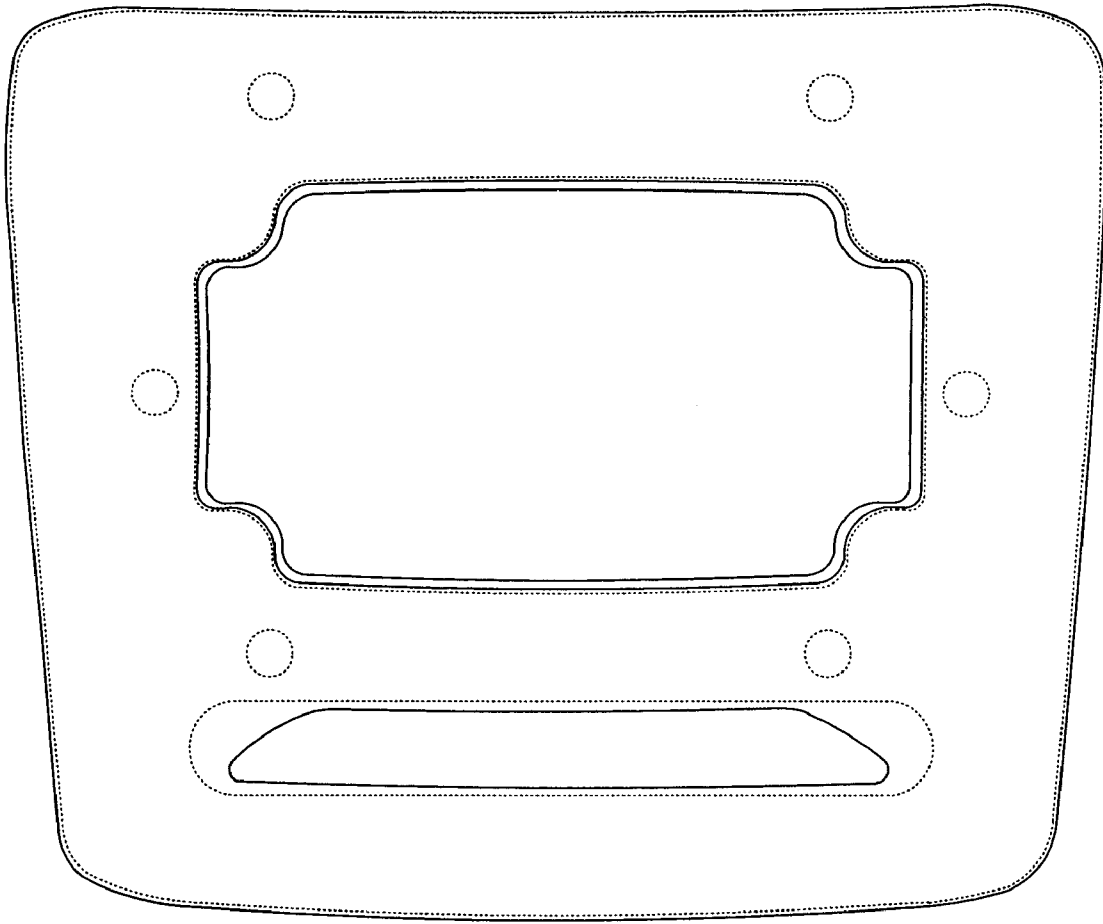


Fig. 3

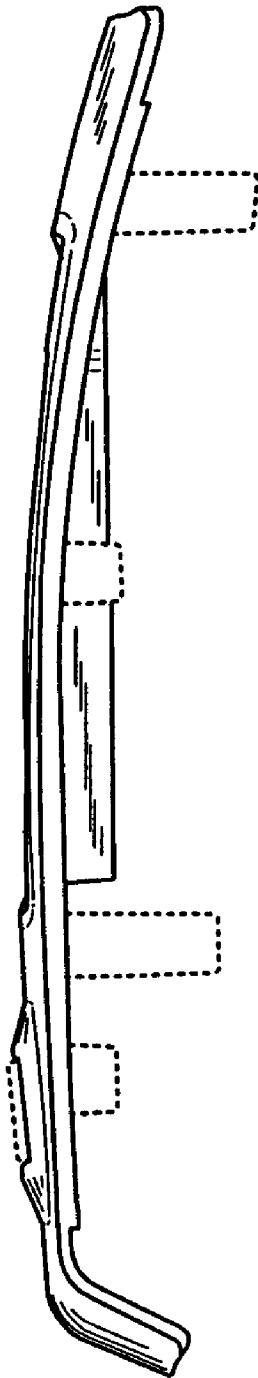


Fig. 4

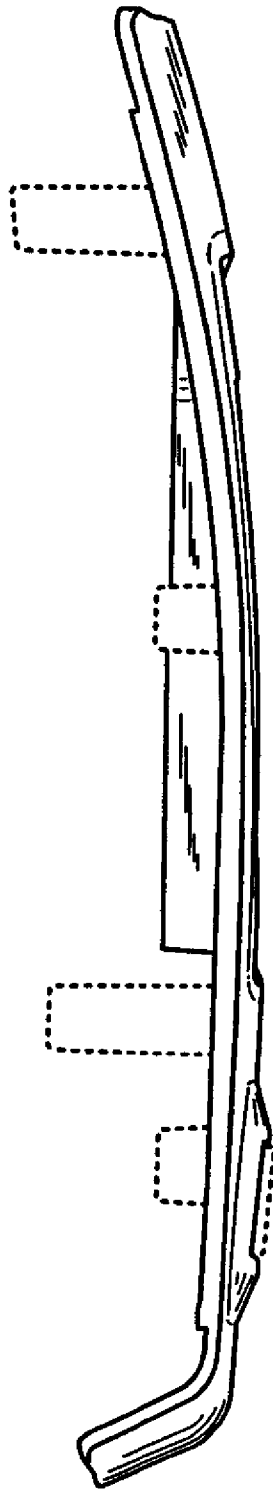


Fig. 5



Fig. 6

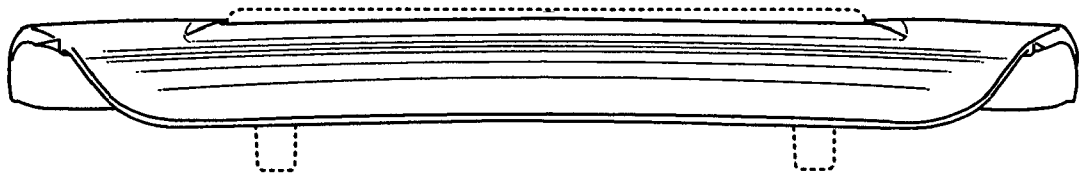


Fig. 7