



- (51) International Patent Classification:
H02M 7/219 (2006.01) H02M 7/00 (2006.01)
- (21) International Application Number:
PCT/CN2018/107978
- (22) International Filing Date:
27 September 2018 (27.09.2018)
- (25) Filing Language: English
- (26) Publication Language: English
- (71) Applicant: ABB SCHWEIZ AG [CH/CH]; Brown Boveri Strasse 6, 5400 Baden (CH).
- (72) Inventors; and
(71) Applicants (for UG only): TIAN, Kai [CN/CN]; Room 202, Unit 2, Building No. 14, Kaixuancheng Community, Tuanjie West Street, Qiaoxi District, Xingtai, Hebei

054000 (CN). **LI, Tinho** [CN/CN]; Room 2609, Lung Wan House, Lung Poon Court, Diamond Hill, Kowloon, Hong Kong (CN). **YUEN, Kuenfaat** [CN/CN]; Room 1501, Tin Mei House, Tin Ping Estate, Sheung Shui, New Territories, Hong Kong (CN). **LIANG, Mei** [CN/CN]; Room 602, Unit 2, Building 9, No. 7 Deshengmen West Avenue, Haidian District, Beijing 100088 (CN).

(74) Agent: **BOSS & YOUNG PATENT AND TRADE-MARK LAW OFFICE**; Room 25A3-1, East Wing, Hanwei Plaza, No.7 Guanghua Road, Chaoyang District, Beijing 100020 (CN).

(81) Designated States (unless otherwise indicated, for every kind of national protection available): AE, AG, AL, AM, AO, AT, AU, AZ, BA, BB, BG, BH, BN, BR, BW, BY, BZ, CA, CH, CL, CN, CO, CR, CU, CZ, DE, DJ, DK, DM, DO, DZ, EC, EE, EG, ES, FI, GB, GD, GE, GH, GM, GT, HN, HR, HU, ID, IL, IN, IR, IS, JO, JP, KE, KG, KH, KN, KP,

(54) Title: APPARATUS FOR CONVERSION BETWEEN AC POWER AND DC POWER

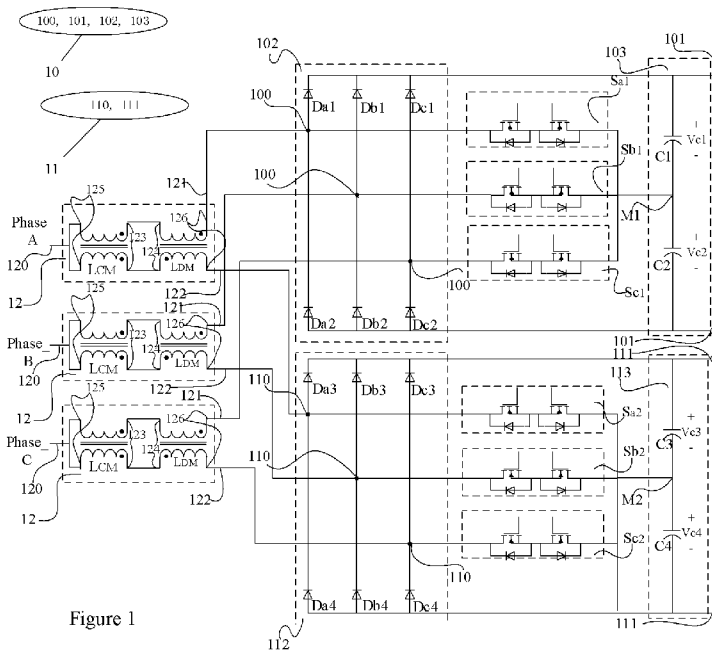


Figure 1

(57) Abstract: It is therefore an objective of the invention to provide an apparatus for conversion between AC power and DC power. The apparatus includes a first power conversion circuit having a first AC side and a first DC side, at least one second power conversion circuit each having a second AC side and a second DC side; and at least one choke having a first terminal, a second terminal and at least one third terminal, wherein the first terminal is arranged to be electrically coupled to a phase of the AC power, and the second terminal and the at least one third terminal are electrically coupled to respective same phases of the first AC side of the first power conversion circuit and the second AC side of the at least one second power conversion circuit. Moreover, the choke includes a first common-mode choke and a first differential-mode choke, wherein: the first common-mode choke and the first differential-mode choke are electrically coupled in series via a first group of coil ends of the first common-mode choke and a first group of coil ends of the first



KR, KW, KZ, LA, LC, LK, LR, LS, LU, LY, MA, MD, ME, MG, MK, MN, MW, MX, MY, MZ, NA, NG, NI, NO, NZ, OM, PA, PE, PG, PH, PL, PT, QA, RO, RS, RU, RW, SA, SC, SD, SE, SG, SK, SL, SM, ST, SV, SY, TH, TJ, TM, TN, TR, TT, TZ, UA, UG, US, UZ, VC, VN, ZA, ZM, ZW.

(84) Designated States (*unless otherwise indicated, for every kind of regional protection available*): ARIPO (BW, GH, GM, KE, LR, LS, MW, MZ, NA, RW, SD, SL, ST, SZ, TZ, UG, ZM, ZW), Eurasian (AM, AZ, BY, KG, KZ, RU, TJ, TM), European (AL, AT, BE, BG, CH, CY, CZ, DE, DK, EE, ES, FI, FR, GB, GR, HR, HU, IE, IS, IT, LT, LU, LV, MC, MK, MT, NL, NO, PL, PT, RO, RS, SE, SI, SK, SM, TR), OAPI (BF, BJ, CF, CG, CI, CM, GA, GN, GQ, GW, KM, ML, MR, NE, SN, TD, TG).

Published:

— *with international search report (Art. 21(3))*

differential-mode choke, and a second group of coil ends of one of the first common-mode choke and the first differential-mode choke are electrically coupled to the first terminal of the choke, and a second group of coil ends of the other are respectively electrically coupled to the second terminal and the at least one third terminal of the choke. The first common-mode choke can help provide high inductance to the high-frequency components of the common-mode current, which flows from the AC power source, since the impedance of the common-mode choke and the differential-mode choke depends on frequency on the same scale as inductance. The advantages of using the common-mode choke is that it provides twice the inductance of separate inductor design due to the coupling effect. Therefore it filters the common-mode current more effectively or the inductance size can be reduced for a given current ripple requirement.

APPARATUS FOR CONVERSION BETWEEN AC POWER AND DC POWER

Technical Field

The invention relates to conversion between AC power and DC power, and more particularly to AC sides of power conversion circuits are arranged for operation in parallel.

Background Art

AC-DC converter is used widely for converting AC power to DC power, providing stable DC bus for feeding DC load or as a first stage in power converters providing DC input for other converters, like the first AC-DC stage in EV charger. In some applications, one DC bus is enough, while in other applications, multi separate DC buses are required.

Patent US_9166491_B2 discloses an interleaved converter with separate DC buses for AC-DC-AC power conversion. Besides separate inductors, an interphase transformer is used for suppressing circulating current in the interleaved converter.

Brief Summary of the Invention

However, the solution according to patent US 8670260 B2 has at least one technical disadvantage in that the size of the inductor is relatively big and its power loss is relatively high.

In order to solve at least one of the problems, it is therefore an objective of the invention to provide an apparatus for conversion between AC power and DC power. The apparatus includes a first power conversion circuit having a first AC side and a first DC side, at least one second power conversion circuit each having a second AC side and a second DC side; and at least one choke having a first terminal, a second terminal and at least one third terminal, wherein the first terminal is arranged to be electrically coupled to a phase of the AC power, and the second terminal and the at least one third terminal are electrically coupled to respective same phases of the first AC side of the first power conversion circuit and the second AC side of the at least one second power conversion circuit. Moreover, the choke includes a first common-mode choke and a first differential-mode choke, wherein: the first common-mode choke and the first differential-mode choke are electrically coupled in series via a first group of coil ends of the first common-mode choke and a first group of coil ends of the first differential-mode choke, and a second group of coil ends of one of the first common-mode choke and the first differential-mode choke are electrically coupled to the first terminal of the choke, and a second group of coil ends of the other are respectively electrically coupled to the second terminal and the at least one third terminal of the choke.

The first common-mode choke can help provide high inductance to the high-frequency components of the common-mode current, which flows from the AC power source, since the impedance of the common-mode choke and the differential-mode choke depends on frequency on the same scale as inductance. The advantages of using the common-mode choke is that it provides twice the inductance of separate inductor design due to the coupling effect. Therefore it filters the common-mode current more effectively or the inductance size can be reduced for a given current ripple requirement.

Preferably, the first common-mode choke has a leakage flux. The first common-mode choke has a leakage flux. The common-mode choke, in principle, does not provide inductance

towards the differential-mode current between the interleaved legs due to the flux cancellation effect. However, the leakage inductance is acting in suppressing the differential-mode current between the interleaved legs together with the differential-mode choke. The leakage inductance of the common-mode choke help reduce the undesired differential-mode current ripple and spikes.

Preferably, the first common-mode choke has a first parasitic capacitive element and the first differential-mode choke has a second parasitic capacitive element. The leakage inductance and capacitance are acting in suppressing the differential-mode current between the interleaved legs together with the differential-mode choke. The leakage inductance and capacitance of the common-mode choke can help reduce the undesired differential-mode current ripple and spikes.

Brief Description of the Drawings

The subject matter of the invention will be explained in more detail in the following text with reference to preferred exemplary embodiments which are illustrated in the drawings, in which:

Figure 1 illustrate apparatuses for conversion between AC power and DC power according to an embodiment of present invention;

Figure 2 illustrates phase current flow analysis of the choke according to an embodiment of present invention;

Figure 3A illustrates a simplified high frequency equivalent circuit of using only differential-mode choke;

Figure 3B shows the high frequency equivalent circuit of using common-mode choke and differential-mode choke according to an embodiment of present invention;

Figure 4 illustrates an apparatus for conversion between AC power and DC power according to another embodiment of present invention;

Figure 5 illustrates an apparatus for conversion between AC power and DC power according to another embodiment of present invention;

Figures 6A and 6B give a first example of the common-mode choke and the differential-mode choke; and

Figures 7A and 7B give another example of the common-mode choke and the differential-mode choke.

The reference symbols used in the drawings, and their meanings, are listed in summary form in the list of reference symbols. In principle, identical parts are provided with the same reference symbols in the figures.

Preferred Embodiments of the Invention

While the invention is susceptible to various modifications and alternative forms, specific embodiments thereof are shown by way of example in the drawings and will herein be described in detail. It should be understood, however, that the drawings and detailed description thereto are not intended to limit the invention to the particular form disclosed, but on the contrary, the intention is to cover all modifications, equivalents, and alternatives falling within the spirit and scope of the present invention as defined by the appended claims. Note, the headings are for organizational purposes only and are not meant to be used to limit

or interpret the description or claims. Furthermore, note that the word "may" is used throughout this application in a permissive sense (i.e., having the potential to, being able to), not a mandatory sense (i.e., must)." The term "include", and derivations thereof, mean "including, but not limited to". The term "connected" means "directly or indirectly connected", and the term "coupled" means "directly or indirectly connected".

Figure 1 illustrate apparatuses for conversion between AC power and DC power according to an embodiment of present invention. As shown in figure 1, the apparatus 1 can receive AC power at its AC side from an AC power source and convert the received AC power into DC power at its DC sides. The apparatus 1 includes a first power conversion circuit 10, at least one second power conversion circuit 11, at least one choke 12.

The first power conversion circuit 10 can use an AC to DC power conversion topology having a first AC side 100 and a first DC side 101. For example, the first power conversion circuit 10 may have a first rectifier 102 and a first capacitor bank 103. The first rectifier 102 is electrically coupled to the first AC side 100 and the first capacitor bank 103 is electrically coupled to the DC side 101. The first rectifier 102 may rectify a first AC power supplied from the AC power source, which in turn flows to the DC side 101 via the first capacitor bank 103. As shown in figure 1, the first rectifier 102 includes a plurality of diodes Da1-Da2, Db1-Db2 and Dc1-Dc2, arranged in a three-phase full bridge configuration. The mid-points respectively for the diodes Da1-Da2, diodes Db1-Db2 and diodes Dc1-Dc2 are electrically coupled to phase A, phase B and phase C of the first AC side 100 of the first power conversion circuit 10.

The at least one second power conversion circuit 11 each can use an AC to DC power conversion topology having a second AC side 110 and a second DC side 111. For example, the second power conversion circuit 11 may have a second rectifier 112 and a second capacitor bank 113. The second rectifier 112 is electrically coupled to the second AC side 110 and the second capacitor bank 113 is electrically coupled to the second DC side 111. The second rectifier 112 may rectify a second AC power supplied from the AC power source, which in turn flows to the second DC side 111 via the second capacitor bank 113. As shown in figure 1, the second rectifier 112 includes a plurality of diodes Da3-Da4, Db3-Db4 and Dc3-Dc4, arranged in a three-phase full bridge configuration. The mid-points respectively for the diodes Da3-Da4, diodes Db3-Db4 and diodes Dc3-Dc4 are electrically coupled to phase A, phase B and phase C of the second AC side 110 of the second power conversion circuit 11.

The first DC side 101 of the first power conversion circuit 10 and the second DC side 111 of the second power conversion circuit 11 are separate from each other, so that the first power conversion circuit 10 and the second power conversion circuit 11 can provide separate power flow paths to the respective first DC side 101 and second DC side 111.

In this embodiment, the first capacitor bank 103 has a first capacitive element C_1 and a second capacitive element C_2 electrically connected in series at a mid-point M_1 , and the second capacitor bank 113 has a third capacitive element C_3 and a fourth capacitive element C_4 electrically connected in series at a mid-point M_2 . For each of the phases A, B, C, the apparatus 1 further includes: a group of controllable bi-directional switches, one of which is inserted between the second terminal 121 of the corresponding choke 12 and the mid-point M_1 of first capacitor bank 103 electrically connecting the same and the other of which is inserted between the third terminal 122 of the corresponding choke 12 and the mid-point M_2 of second capacitor bank 113 electrically connecting the same. For example, with respect to phase-A, the controllable bi-directional switch S_{a1} is arranged between the second terminal 121 of the choke 12 for phase-A and the mid-point M_1 of the first capacitor bank 103, and the switch S_{a1} electrically coupled to both of them; and the other controllable bi-directional

switch S_{a2} is arranged between the third terminal 122 of the choke 12 for phase-A and the mid-point M_2 of the second capacitor bank 113, and the switch S_{a2} electrically coupled to both of them. The same holds true for phase B and phase C, except that for phase B it concerns with the counterparts as of the group of controllable bi-directional switches S_{b1} , S_{b2} and the choke 12 for phase-B, and for phase C it concerns with the counterparts as of the group of controllable bi-directional switches S_{c1} , S_{c2} and the choke 12 for phase-C. Modulation of the converter is the same as normal interleaved converter with phase shift between the two interleaved legs.

In the operation under controlling the controllable bi-directional switches S_{a1} , S_{a2} , S_{b1} , S_{b2} , S_{c1} , S_{c2} by the controller, tables I, II, and III respectively show the voltage and device states of the interleaved legs for phases A, B and C. V_{c1} , V_{c2} , V_{c3} and V_{c4} indicate the voltage across the first capacitive element C_1 , the second capacitive element C_2 , the third capacitive element C_3 and the fourth capacitive element C_4 .

Voltage across phase A of AC side 100 and M1	Device states (1---conduct, 0---do not conduct)		
	S_{a1}	D_{a1}	D_{a2}
V_{c1}	0	1	0
0	1	0	0
$-V_{c2}$	0	0	1

Voltage across phase A of AC side 110 and M2	Device states (1---conduct, 0---do not conduct)		
	S_{a2}	D_{a3}	D_{a4}
V_{c3}	0	1	0
0	1	0	0
$-V_{c4}$	0	0	1

Table I

During the control, gating signals of S_{a1} and S_{a2} are interleaved. If S_{a1} is on, D_{a1} and D_{a2} are off. If S_{a1} is off, one of D_{a1} and D_{a2} conducts, depending on the direction of current. If S_{a2} is on, D_{a3} and D_{a4} are off. If S_{a2} is off, one of D_{a3} and D_{a4} conducts, depending on the direction of current.

Voltage across phase B of AC side 100 and M1	Device states (1---conduct, 0---do not conduct)		
	S_{b1}	D_{b1}	D_{b2}
V_{c1}	0	1	0
0	1	0	0
$-V_{c2}$	0	0	1

Voltage across phase B of AC side 110 and M2	Device states (1---conduct, 0---do not conduct)		
	S_{b2}	D_{b3}	D_{b4}
V_{c3}	0	1	0
0	1	0	0
$-V_{c4}$	0	0	1

Table II

During the control, gating signals of S_{b1} and S_{b2} are interleaved. If S_{b1} is on, D_{b1} and D_{b2} are off. If S_{b1} is off, one of D_{b1} and D_{b2} conducts, depending on the direction of current. If S_{b2} is on, D_{b3} and D_{b4} are off. If S_{b2} is off, one of D_{b3} and D_{b4} conducts, depending on the direction of current.

Voltage across phase C of AC side 100 and M1	Device states (1---conduct, 0---do not conduct)		
	Sc1	Dc1	Dc2
Vc1	0	1	0
0	1	0	0
-Vc2	0	0	1

Voltage across phase C of AC side 110 and M2	Device states (1---conduct, 0---do not conduct)		
	Sc2	Dc3	Dc4
Vc3	0	1	0
0	1	0	0
-Vc4	0	0	1

Table III

During the control, gating signals of S_{c1} and S_{c2} are interleaved. If S_{c1} is on, D_{c1} and D_{c2} are off. If S_{c1} is off, one of D_{c1} and D_{c2} conducts, depending on the direction of current. If S_{c2} is on, D_{c3} and D_{c4} are off. If S_{c2} is off, one of D_{c3} and D_{c4} conducts, depending on the direction of current.

The number of the at least one choke 12 depends on how many phases the AC power source has which supplies AC current to the apparatus 1. In the embodiment of figure 1, the AC power source has three phases A, B, C, thus the number of the at least one choke 12 counts three. Namely, for each phase A, B, C, there is arranged a choke in the apparatus 1. Each of the three chokes has a first terminal 120, a second terminal 121 and at least one third terminal 122. The number of the at least one third terminal 122 is associated with how many second power conversion circuit 11 the apparatus 1 uses.

The first terminal 120 of each of the three chokes 12 is arranged to be electrically coupled to a phase of the AC power, and the second terminal 121 and the third terminal 122 are electrically coupled to respective same phases of the first AC side 100 of the first power conversion circuit 10 and the second AC side 110 of the second power conversion circuit 11. As shown in figure 1, with respect to phase-A of the AC power source, one of the chokes 12 has its first terminal 120 coupled to the phase-A of the AC power source, its second terminal 121 electrically coupled to phase-A of the first AC side 100 of the first power conversion circuit 10, and its third terminal 122 electrically coupled to phase-A of the second AC side 110 of the second power conversion circuit 11; with respect to phase-B of the AC power source, one of the chokes 12 has its first terminal 120 coupled to the phase-B of the AC power source, and its second terminal 121 electrically coupled to phase-B of the first AC side 100 of the first power conversion circuit 10 and its third terminal 122 electrically coupled to phase-B of the second AC side 110 of the second power conversion circuit 11; with respect to phase-C of the AC power source, one of the chokes 12 has its first terminal 120 is electrically coupled to the phase-C of the AC power source, its second terminal 121 electrically coupled to phase-C 110C of the first AC side 100 of the first power conversion circuit 10, and its third terminal 122 electrically coupled to phase-C of the second AC side 110 of the second power conversion circuit 11.

Each choke 12 includes a first common-mode choke L_{CM} and a first differential-mode choke L_{DM} . The first common-mode choke L_{CM} has a group of coils wound on a core, and the number of the coils depends on the number of the first power conversion circuit 10 and the second power conversion circuit 11. In this embodiment, the apparatus 1 has one first power conversion circuit 10 and one second power conversion circuit 11, and consequently the number of the coils counts two.

The first common-mode choke L_{CM} and the first differential-mode choke L_{DM} are electrically coupled in series via first ends 123 of the coils of the first common-mode choke L_{CM} and first ends 124 of the coil of the first differential-mode choke L_{DM} .

Second ends 125 of the coils of the first common-mode choke L_{CM} are electrically coupled to the first terminal 120 of the choke 12, and second ends 126 of the coils of the first differential-mode choke L_{DM} are respectively electrically coupled to the second terminal 121 and the third terminal 122 of the choke 12. As an alternative, second ends of the coils of the first common-mode choke L_{CM} are respectively electrically coupled to the second terminal 121 and the third terminal 122 of the choke 12 and second ends of the coils of the first differential-mode choke L_{DM} are electrically coupled to the first terminal 120 of the choke 12. In summary, second coil ends of one of the first common-mode choke and the first differential-mode choke are electrically coupled to the first terminal of the choke, and second coil ends of the other are respectively electrically coupled to the second terminal and the at least one third terminal of the choke.

As a part of the choke 12 inserted between the AC power source and both of the first power conversion circuit 10 and the second power conversion circuit 11, the first common-mode choke L_{CM} is useful for suppression of common-mode currents flowing to the apparatus 1 from the AC power source, while passing the differential-mode currents. The first differential-mode choke L_{DM} has a group of coils wound on a core, and the number of the coils depends on the number of the first power conversion circuit 10 and the second power conversion circuit 11. In this embodiment, the apparatus 1 has one first power conversion circuit 10 and one second power conversion circuit 11, and consequently the number of the coils counts two. As a part of the choke 12 inserted between the AC power source and both of the first power conversion circuit 10 and the second power conversion circuit 11, the first differential-mode choke L_{DM} is useful for suppression of differential-mode currents flowing within the apparatus 1, while passing the common-mode currents flowing from the AC power source.

Figure 2 illustrates phase current flow analysis of the choke according to an embodiment of present invention. The i_{con1} and i_{con2} are the currents of the two interleaved legs of the first power conversion circuit 10 and the second power conversion circuit 11 of one phase. For example, the leg consisting of diodes Da1, Da2 of the first power conversion circuit 10 and the leg consisting of diodes Da3, Da4 of the second power conversion circuit 11 are interleaved (phase A), the leg consisting of diodes Db1, Db2 of the first power conversion circuit 10 and the leg consisting of diodes Db3, Db4 of the second power conversion circuit 11 are interleaved (phase B), and the leg consisting of diodes Dc1, Dc2 of the first power conversion circuit 10 and the leg consisting of diodes Dc3, Dc4 of the second power conversion circuit 11 are interleaved (phase C).

The i_{CM} is the CM (common-mode) current component in i_{con1} and i_{con2} . The i_{DM} is the DM (differential-mode) current component in i_{con1} and i_{con2} . The i_{CM} and i_{DM} can be expressed as,

$$i_{CM} = (i_{con1} + i_{con2})/2 \quad (1)$$

$$i_{DM} = (i_{con1} - i_{con2})/2 \quad (2)$$

With i_{CM} and i_{DM} , the sub-converter currents i_{con1} and i_{con2} can be express as,

$$i_{con1} = i_{CM} + i_{DM} \quad (3)$$

$$i_{con2} = i_{CM} - i_{DM} \quad (4)$$

It can be seen from (3) ~ (4) that i_{con1} and i_{con2} consist of CM and DM current components, i_{CM} and i_{DM} .

$$i_{grid} = i_{con1} + i_{con2} = 2i_{CM} \quad (5)$$

$$i_{cir} = (i_{con1} - i_{con2})/2 = i_{DM} \quad (6)$$

It can be seen from (5) ~ (6) that, the CM current i_{CM} flows to the grid and is the useful component for power conversion. The DM current i_{DM} is the circulating current (i_{cir}) flowing between the sub-converters. It does not go to the AC power source and has no contribution to power conversion, but increasing current ripples and power losses in inductors, so the i_{DM} is the undesired component.

In the topology according to present invention, L_{CM} is used to filter the useful CM current (the current flowing from the AC power source) and its fundamental component is the useful component for power conversion, and L_{DM} is used to suppress the undesired DM current (the circulating current).

- The DM choke (L_{DM})

The L_{DM} is an inductor with two windings coupled through one magnetic core in differential mode. The flux of CM current i_{CM} of the two interleaved power conversion circuits cancel each other in L_{DM} , so the L_{DM} does not provide inductance towards the CM current i_{CM} except the leakage inductance.

The flux of DM current i_{DM} of the two interleaved power conversion circuits enhance each other in L_{DM} due to the flux coupling effect, and the inductance to the i_{DM} is doubled compared with the design of using separate inductors. Therefore the circulating current is suppressed effectively. With the same requirement of circulating current, the inductance of the L_{DM} can be smaller.

- The CM inductor (L_{CM})

The L_{CM} is an inductor with two windings coupled through one magnetic core in common mode. The flux of DM current i_{DM} of the two interleaved power conversion circuits cancel each other in L_{CM} , so the L_{CM} does not provide inductance towards the DM current i_{DM} except the leakage inductance.

The flux of CM current i_{CM} of the two interleaved power conversion circuits enhance each other in L_{CM} due to the flux coupling effect, and the inductance to the i_{CM} is doubled compared with the design of using separate inductors. The voltage across the L_{CM} can be expressed as,

$$u_{L_{CM}} = L \frac{di_{con1}}{dt} + M \frac{di_{con2}}{dt} \quad (7)$$

Wherein the $u_{L_{CM}}$ is the voltage across the L_{CM} . L is the self-inductance of the first winding. M is the mutual inductance of the first and second windings of L_{CM} . Assuming the $M = L$, the following equation can be achieved,

$$u_{L_{CM}} = L \frac{d(i_{con1} + i_{con2})}{dt} \quad (8)$$

Substituting (5) into (8), the $u_{L_{CM}}$ can be expressed as,

$$u_{L_{CM}} = L \frac{d(2i_{CM})}{dt} = L \frac{di_{grid}}{dt} \quad (9)$$

As can be seen from (9), the effective inductance for filtering the grid current is L with the proposed topology. The effective value is doubled compared with the prior art design using

separate inductors in which the effective inductance is only $(L/2)$. In other words, the inductance size can be reduced by half by using the proposed technology compared with the prior art design for the same grid current requirement. The reduction in inductance helps to improve efficiency and reduce cost as well.

- For the common-mode current component

By appropriately designing the inductance of the common-mode choke L_{CM} , the common-mode choke L_{CM} provides high inductance to the high-frequency components of the common-mode current, which flows from the AC power source, since the impedance of the common-mode choke and the differential-mode choke depends on frequency on the same scale as inductance. The advantages of using the common-mode choke L_{CM} is that it provides twice the inductance of separate inductor design due to the coupling effect. Therefore it filters the common-mode current more effectively or the inductance size can be reduced for a given current ripple requirement.

The differential-mode choke L_{DM} gives no inductance towards the common-mode current due to the flux cancellation effect except the leakage inductance.

The common-mode choke L_{CM} , in principle, does not provide inductance towards the differential-mode current between the interleaved legs due to the flux cancellation effect. However, the leakage inductance and capacitance of L_{CM} is acting in suppressing the differential-mode current between the interleaved legs together with the differential-mode choke L_{DM} . The leakage inductance and capacitance of the common-mode choke L_{CM} help to reduce the undesired differential-mode current ripple and spikes.

- For the differential-mode current component

The differential-mode choke L_{DM} provides inductance to undesired differential-mode current. The inductance is doubled compared with separate inductor design due to the coupling effect. Therefore it suppress the differential-mode current between the interleaved legs more effectively.

Figure 3A illustrates a simplified high frequency equivalent circuit of using only differential-mode choke. The total parasitic capacitance (C_{DM_only}) and leakage inductance ($L_{l_DM_only}$) in this case are:

$$C_{DM_only} = 1/(1/C_{DM_1} + 1/C_{DM_2}) \quad (10)$$

$$L_{l_DM_only} = L_{l_DM_1} + L_{l_DM_2} \quad (11)$$

The first common-mode choke L_{CM} has a first parasitic capacitive element, and the first differential-mode choke L_{DM} has a second parasitic capacitive element.

Figure 3B shows the high frequency equivalent circuit of using common-mode choke and differential-mode choke according to an embodiment of present invention. The total parasitic capacitance (C_{CM+DM}) and leakage inductance (L_{l_CM+DM}) in this case are,

$$C_{CM+DM} = 1/(1/C_{CM_1} + 1/C_{CM_2} + 1/C_{DM_1} + 1/C_{DM_2}) < C_{DM_only} \quad (12)$$

$$L_{l_CM+DM} = (L_{l_CM_1} + L_{l_CM_2} + L_{l_DM_1} + L_{l_DM_2}) > L_{l_DM_only} \quad (13)$$

By using the combination of the common-mode choke L_{CM} and the differential-mode choke L_{DM} , the following merits can be achieved:

- The common-mode current at high frequency flowing to the AC power source is choked and the undesired differential-mode current is choked.
- Smaller inductances for both common-mode choke L_{CM} and the differential-mode choke L_{DM} are achieved due to the flux coupling effect.
- The leakage inductance of the common-mode choke ($L_{l_CM_1} + L_{l_CM_2}$) can contribute

to suppressing the differential-mode current together with the differential-mode choke L_{DM} , leading to smaller differential-mode current or smaller differential-mode choke for a given differential mode current.

- The total parasitic capacitance C_{CM+DM} (as shown in equation (12)) of the embodiment is smaller than the capacitance where an inductor is used instead. The total leakage inductance $L_{L_{CM+DM}}$ (as shown in equation (13)) is larger than the leakage inductance where an inductor is used instead. The smaller parasitic capacitance and larger leakage inductance of the embodiment can lead to the reduction in current spikes when step voltage change occurs between the interleaved legs. The reduction in current spikes will contribute to better EMI performance.

Figure 4 illustrates an apparatus for conversion between AC power and DC power according to another embodiment of present invention. As compared with the embodiment of figure 1A and 1B, the choke 12 further includes at least one second common-mode choke 40 being electrically coupled to the first common-mode choke L_{CM} and the first differential-mode choke L_{DM} in series. Preferably, the choke 12 further includes at least one second differential-mode choke 41 being electrically coupled to the first common-mode choke L_{CM} and the first differential-mode choke L_{DM} in series.

Figure 5 illustrates an apparatus for conversion between AC power and DC power according to another embodiment of present invention. As compared with the embodiment of figure 1 where for each of phases A, B, C, the apparatus 1 uses two interleaved legs of two power conversion circuits (the first power conversion circuit 10 and the second power conversion circuit 11), this embodiment for each phase has three or more interleaved legs of three or more power conversion circuits. For example, the number of the second power conversion circuit 11 counts two or more. Accordingly, the number of the third terminal of the choke 12 is two or more, the number of the coils 123 counts three or more, and the number of the coils 124 counts three or more. With, e.g., three or more legs the figure would translate to 6 or more diodes, respectively, and three or more bi-directional switches, respectively, etc. The greater the number of legs, the closer to samples of a sinusoid the switched voltage samples will be.

Figures 6A and 6B give a first example of the common-mode choke L_{CM} and the differential-mode choke L_{DM} , as well as the flow of currents and fluxes in them. The two windings on the L_{CM} have the same number of turns and are arranged in the way enhancing the flux generated by the Common-mode current and cancelling the flux generated by the Differential-mode current. The two windings on the L_{DM} have the same number of turns and are arranged in the way cancelling the flux generated by the Common-mode current and enhancing the flux generated by the Differential-mode current. The flow of the Common-mode current (i_{CM}) and the corresponding fluxes are shown in figure 6A. The B_{xcm} and B_{ycm} denote the fluxes generated by the i_{CM} in the L_{CM} and L_{DM} respectively. The B_{xcm} enhance each other in the L_{CM} , while the B_{ycm} cancel each other in the L_{DM} . The flow of the Differential-mode current (i_{DM}) and the corresponding fluxes are shown in figure 6B. The B_{xdm} and B_{ydm} denote the fluxes generated by the i_{DM} in the L_{CM} and L_{DM} respectively. The B_{xdm} cancel each other in the L_{CM} , while the B_{ydm} enhance each other in the L_{DM} . In other words, Common-mode current just generates flux in L_{CM} and does not generate flux in L_{DM} in theory if without considering leakage inductance. Differential-mode current just generates flux in L_{DM} and does not generate flux in L_{CM} in theory if without considering leakage inductance. So the L_{CM} handles the Common-mode current (which is also the grid current), and the L_{DM} handles the Differential-mode current (which is also the circulating current).

Figures 7A and 7B give another example of the L_{CM} and L_{DM} to show that the design of the

L_{CM} and L_{DM} is very flexible and does not limit to a particular type. The current and flux analysis of the example in the figures 7A and 7B is the same with the example in the figures 6A and 6B, so it will not be repeated again.

The magnetic cores of the L_{CM} and L_{DM} could be the same or different, and do not limit to any certain material. For example, because L_{DM} doesn't need to handle the grid current and the circulating current it handles is relatively small, ferrite that has the features of low power loss, high permeability and low saturation flux density could be used for L_{DM} to achieve high inductance and low power loss. For L_{CM} , magnetic cores with relatively low permeability and high saturation flux density such as Fe-Si alloy could be used because the grid current it handles has relatively high current magnitude. The shape of the cores could be circular, rectangular, EI or double E, UU, PQ, and etc., and does not limit to any certain type for both L_{CM} and L_{DM} , as shown in figures 6A, 6B and figures 7A, 7B.

Though the present invention has been described on the basis of some preferred embodiments, those skilled in the art should appreciate that those embodiments should by no way limit the scope of the present invention. Without departing from the spirit and concept of the present invention, any variations and modifications to the embodiments should be within the apprehension of those with ordinary knowledge and skills in the art, and therefore fall in the scope of the present invention which is defined by the accompanied claims.

CLAIMS

1. An apparatus for conversion between AC power and DC power, including:
 - a first power conversion circuit having a first AC side and a first DC side;
 - at least one second power conversion circuit each having a second AC side and a second DC side; and
 - at least one choke having a first terminal, a second terminal and at least one third terminal, wherein the first terminal is arranged to be electrically coupled to a phase of the AC power, and the second terminal and the at least one third terminal are electrically coupled to respective same phases of the first AC side of the first power conversion circuit and the second AC side of the at least one second power conversion circuit;wherein:
 - the choke includes:
 - a first common-mode choke; and
 - a first differential-mode choke;wherein:
 - the first common-mode choke and the first differential-mode choke are electrically coupled in series via a first group of coil ends of the first common-mode choke and a first group of coil ends of the first differential-mode choke; and
 - a second group of coil ends of one of the first common-mode choke and the first differential-mode choke are electrically coupled to the first terminal of the choke, and a second group of coil ends of the other are respectively electrically coupled to the second terminal and the at least one third terminal of the choke.
2. The apparatus according to claim 1, wherein:
 - the first power conversion circuit includes a first capacitor bank electrically coupled to the first DC side, having a pair of first capacitive elements electrically coupled in series at a first mid-point;
 - the at least one second power conversion circuit each includes a second capacitor bank electrically coupled to the second DC side, having a pair of second capacitive elements coupled in series at a second mid-point; and
 - the first mid-point and the at least one second mid-point are indirectly electrically coupled with each other.
3. The apparatus according to claim 2, further includes for each of the three phases:
 - a group of controllable bi-directional switches, one of which is inserted between the second terminal of the corresponding choke and the first mid-point of the first capacitor bank electrically connecting the same and the other of which each is inserted between the respective one of the at least one third terminal of the corresponding choke and the respective one of the at least one second mid-point of the second capacitor bank electrically connecting the same.
4. The apparatus according to any of the preceding claims, wherein:
 - the choke further includes:

at least one second common-mode choke, being electrically coupled to the first common-mode choke and the first differential-mode choke in series.

5. The apparatus according to any of the claims 1 to 3, wherein:
the choke further includes:
at least one second differential-mode choke, being electrically coupled to the first common-mode choke and the first differential-mode choke in series.
6. The apparatus according to any of the claims 1 to 3, wherein:
a number of the at least one second power conversion circuit counts one; and
a number of the at least one third terminal counts one.
7. The apparatus according to any of claims 1 to 3, wherein:
the first common-mode choke has a first parasitic capacitive element;
the first differential-mode choke has a second parasitic capacitive element.
8. The apparatus according to claim 7, wherein:
the first common-mode choke has a leakage flux.
9. The apparatus according to any of the preceding claims, wherein:
the first power conversion circuit has a topology of three-phase rectification circuit electrically coupled to its first AC side; and
the second power conversion circuit has a topology of three-phase rectification circuit electrically coupled to its second AC side.

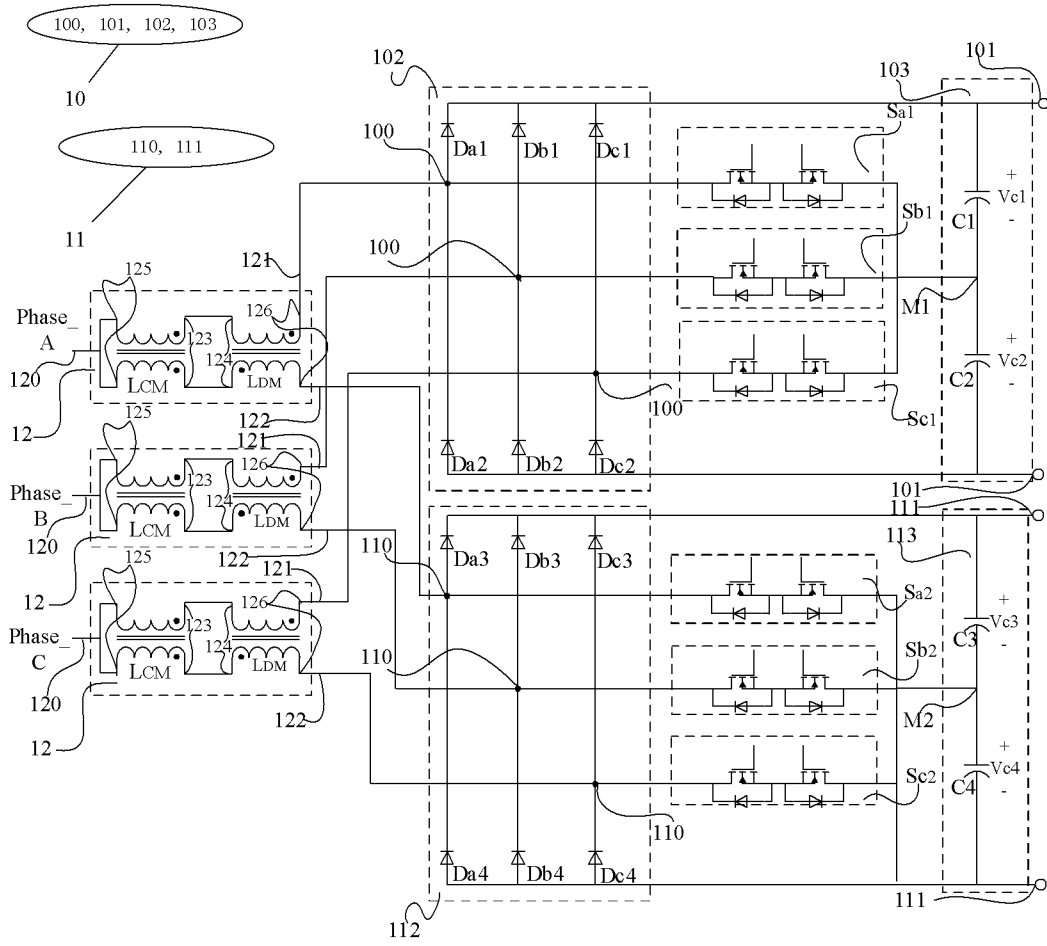


Figure 1

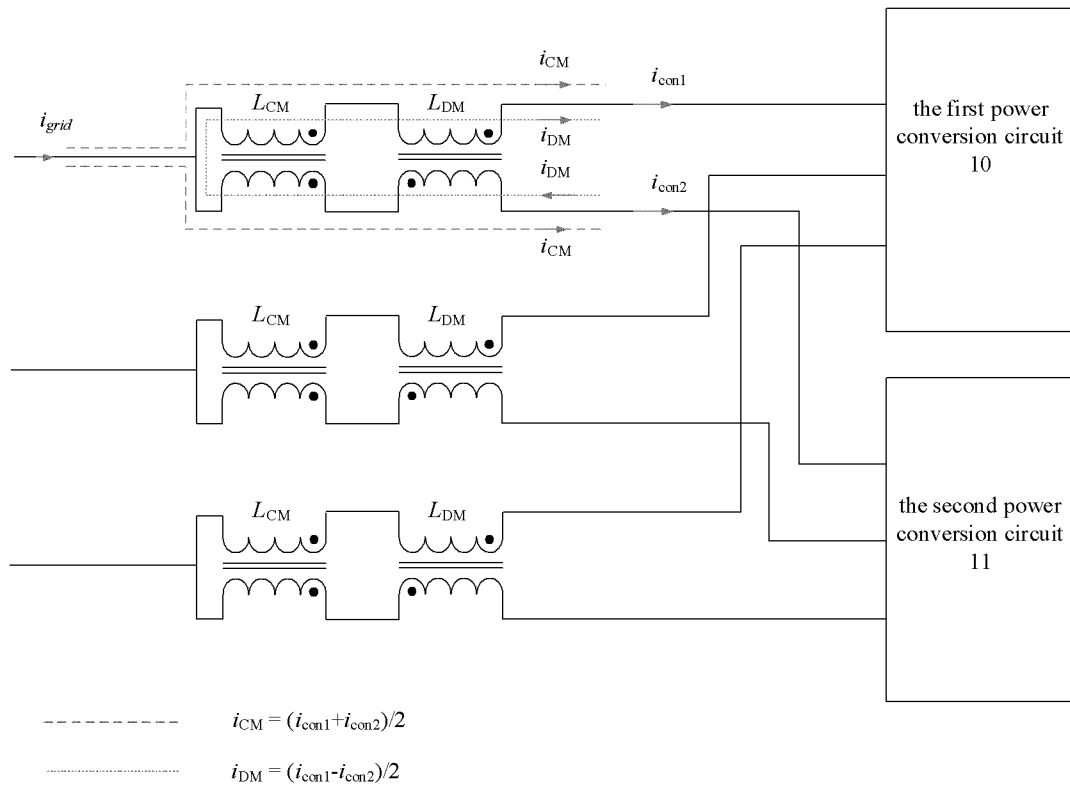


Figure 2

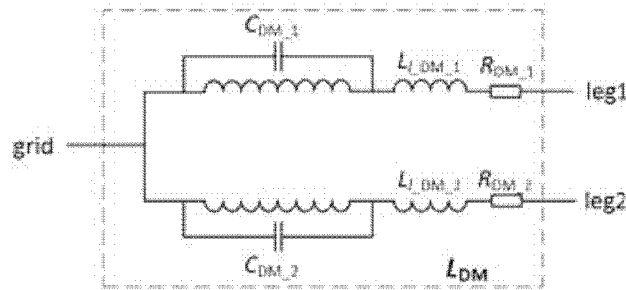


Figure 3A

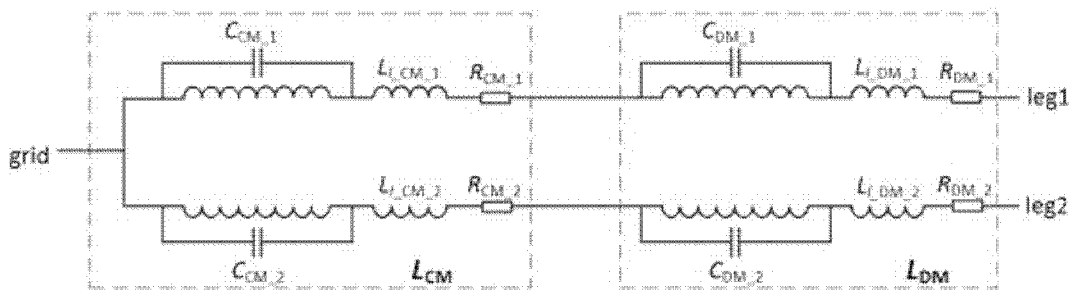


Figure 3B

3/5

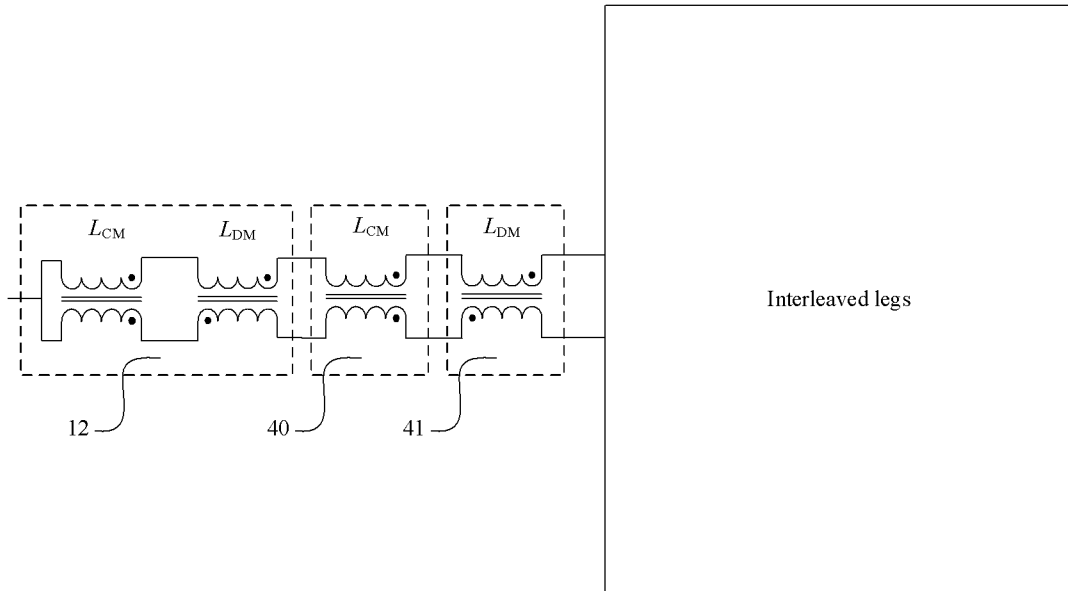


Figure 4

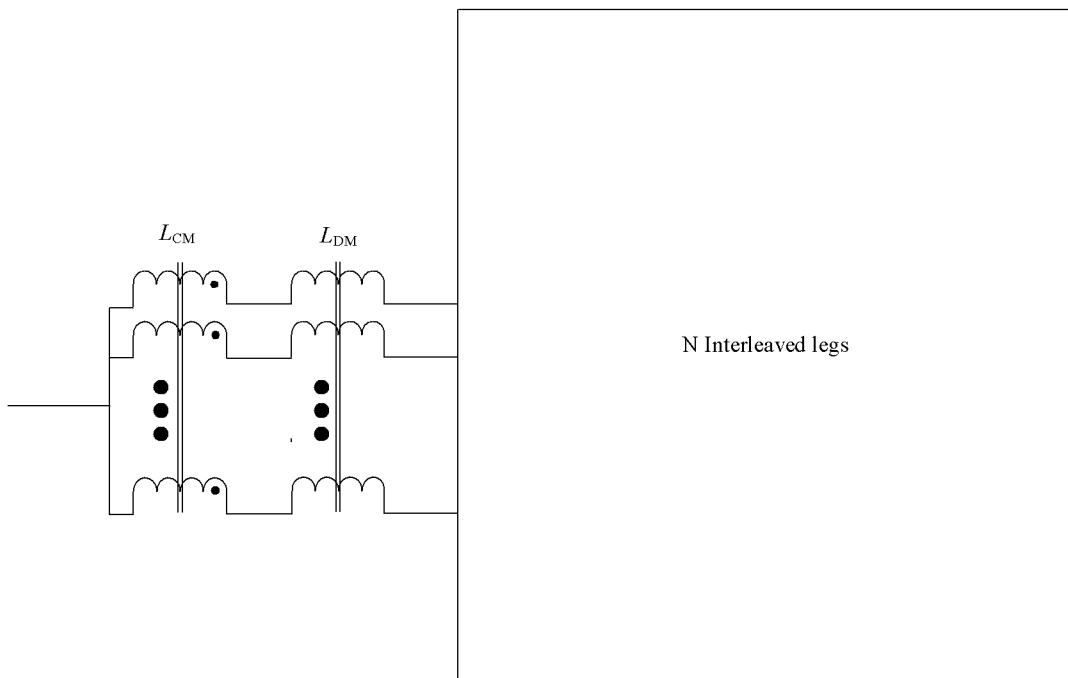


Figure 5

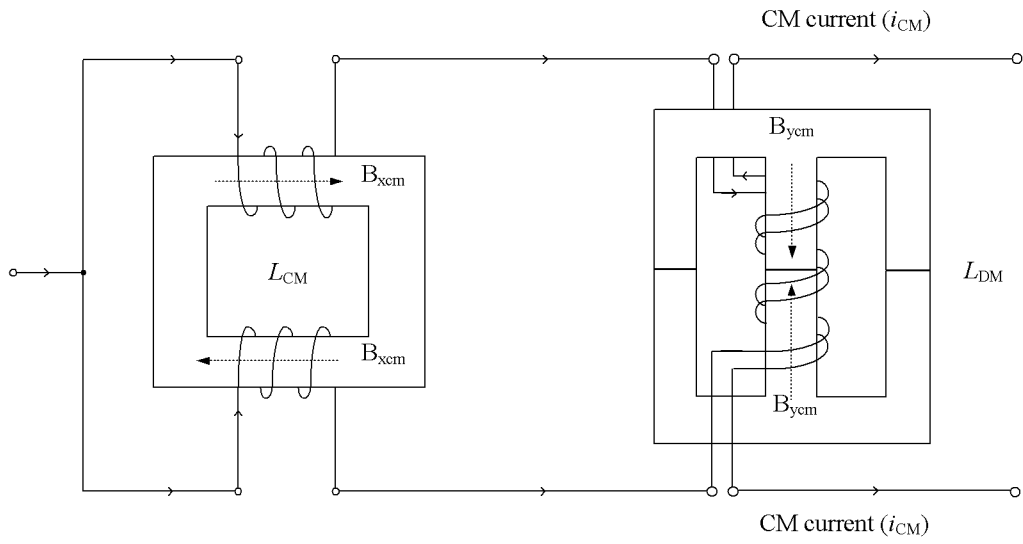


Figure 6A

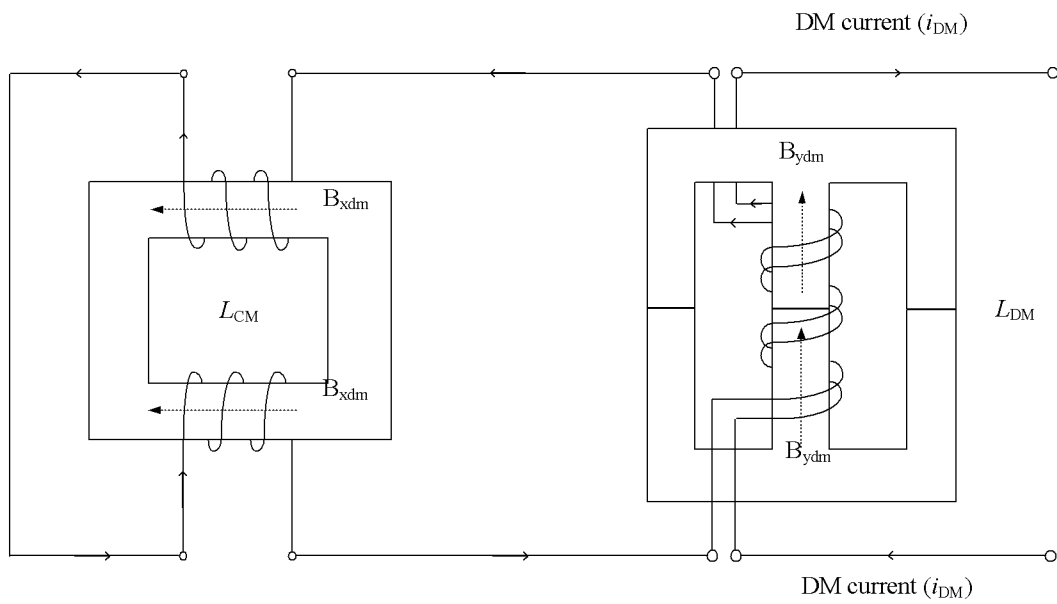


Figure 6B

5/5

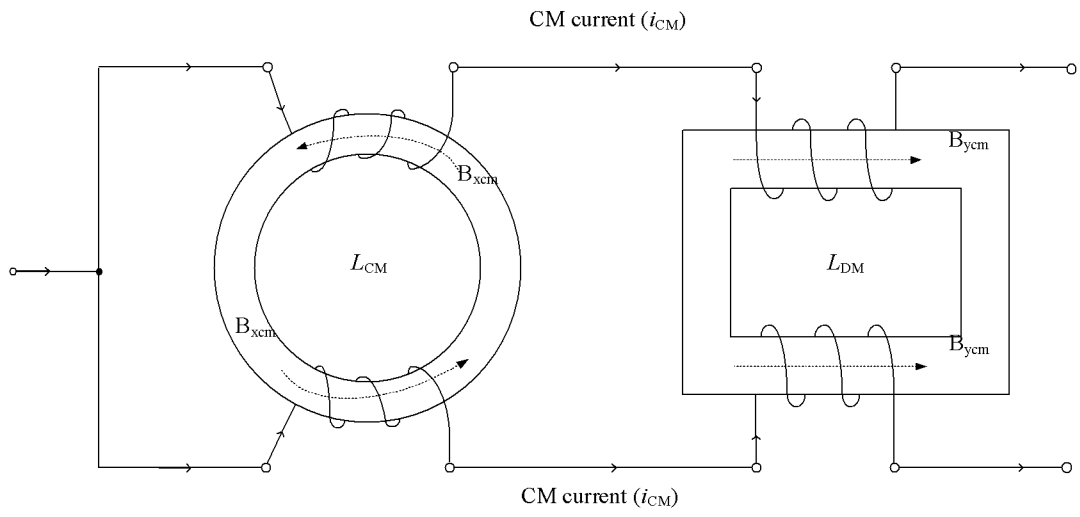


Figure 7A

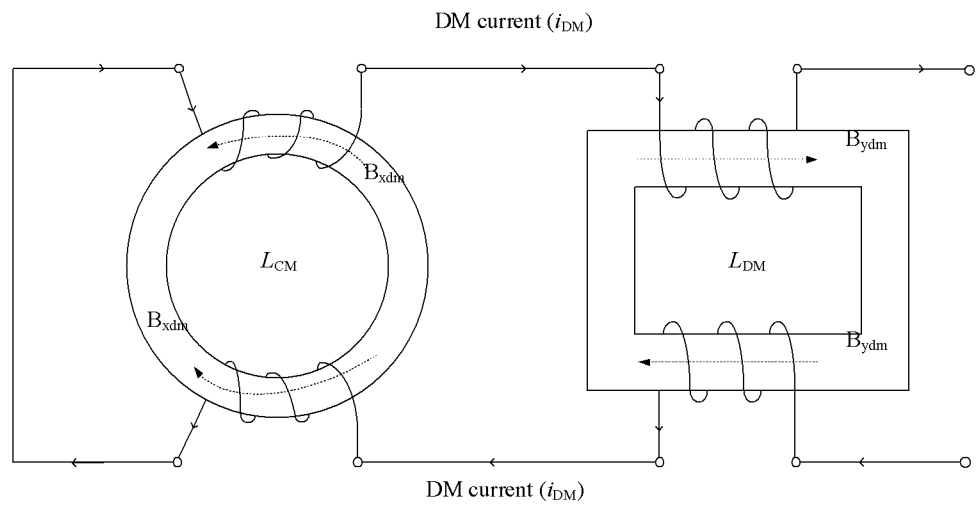


Figure 7B

INTERNATIONAL SEARCH REPORT

International application No.

PCT/CN2018/107978**A. CLASSIFICATION OF SUBJECT MATTER**

H02M 7/219(2006.01)i; H02M 7/00(2006.01)i

According to International Patent Classification (IPC) or to both national classification and IPC

B. FIELDS SEARCHED

Minimum documentation searched (classification system followed by classification symbols)

H02M

Documentation searched other than minimum documentation to the extent that such documents are included in the fields searched

Electronic data base consulted during the international search (name of data base and, where practicable, search terms used)

CNABS;CNTXT;CNKI;SIPOABS;DWPI:AC, alternating current, DC,direct current , conversion, choke, terminal, pin

C. DOCUMENTS CONSIDERED TO BE RELEVANT

Category*	Citation of document, with indication, where appropriate, of the relevant passages	Relevant to claim No.
A	CN 107404218 A (MURATA MFG CO LTD) 28 November 2017 (2017-11-28) Description paragraphs [40]-[85],figures 1-9.	1-9
A	CN 106411121 A (DENSO CORP) 15 February 2017 (2017-02-15) The whole document	1-9
A	US 7518891 B2 (ROCKWELL AUTOMATION TECH INC) 14 April 2009 (2009-04-14) The whole document	1-9

 Further documents are listed in the continuation of Box C. See patent family annex.

* Special categories of cited documents:

"A" document defining the general state of the art which is not considered to be of particular relevance

"E" earlier application or patent but published on or after the international filing date

"L" document which may throw doubts on priority claim(s) or which is cited to establish the publication date of another citation or other special reason (as specified)

"O" document referring to an oral disclosure, use, exhibition or other means

"P" document published prior to the international filing date but later than the priority date claimed

"T" later document published after the international filing date or priority date and not in conflict with the application but cited to understand the principle or theory underlying the invention

"X" document of particular relevance; the claimed invention cannot be considered novel or cannot be considered to involve an inventive step when the document is taken alone

"Y" document of particular relevance; the claimed invention cannot be considered to involve an inventive step when the document is combined with one or more other such documents, such combination being obvious to a person skilled in the art

"&" document member of the same patent family

Date of the actual completion of the international search

24 June 2019

Date of mailing of the international search report

01 July 2019

Name and mailing address of the ISA/CN

National Intellectual Property Administration, PRC
6, Xitucheng Rd., Jimen Bridge, Haidian District, Beijing
100088
China

Authorized officer

LI,Jing

Facsimile No. (86-10)62019451

Telephone No. (86-10) 62411756

INTERNATIONAL SEARCH REPORT
Information on patent family members

International application No.

PCT/CN2018/107978

Patent document cited in search report			Publication date (day/month/year)	Patent family member(s)			Publication date (day/month/year)
CN	107404218	A	28 November 2017	US	2017288575	A1	05 October 2017
				US	9887641	B2	06 February 2018
				JP	2017188976	A	12 October 2017
				EP	3229363	B1	28 November 2018
				JP	6451681	B2	16 January 2019
				EP	3229363	A1	11 October 2017
CN	106411121	A	15 February 2017	JP	6497297	B2	10 April 2019
				JP	2017034973	A	09 February 2017
				JP	2017034959	A	09 February 2017
				JP	2017034982	A	09 February 2017
				US	2017033696	A1	02 February 2017
				US	9899928	B2	20 February 2018
US	7518891	B2	14 April 2009	US	2007030707	A1	08 February 2007