



US00D792221S

(12) **United States Design Patent**
Dziaba et al.

(10) **Patent No.:** **US D792,221 S**

(45) **Date of Patent:** **** Jul. 18, 2017**

(54) **LID**

(71) Applicant: **Kraft Foods Group Brands LLC**,
Chicago, IL (US)

(72) Inventors: **Michele M. Dziaba**, Mundelein, IL
(US); **Brant P. Wheaton**, Chicago, IL
(US); **Andrew Thomas Tilton**, Grand
Rapids, MI (US)

(73) Assignee: **Kraft Foods Group Brands LLC**,
Chicago, IL (US)

(**) Term: **15 Years**

(21) Appl. No.: **29/576,757**

(22) Filed: **Sep. 7, 2016**

Related U.S. Application Data

(63) Continuation of application No. 29/510,173, filed on
Nov. 25, 2014, now Pat. No. Des. 772,701, which is
a continuation of application No. 29/466,521, filed on
Sep. 9, 2013, now Pat. No. Des. 720,613.

(51) **LOC (10) Cl.** **09-07**

(52) **U.S. Cl.**
USPC **D9/454**

(58) **Field of Classification Search**
USPC D9/414, 416, 424, 425, 428, 429, 434,
D9/435, 452, 454, 456, 500, 502, 503;
D7/397, 538, 601, 602, 641, 629, 900;
220/62.13, 214, 215, 240, 260, 265, 266,
220/270, 675, 796, DIG. 12
CPC B65D 2543/00034; B65D 2543/00069;
B65D 2543/00083; B65D 2543/00092;
B65D 2543/00049; B65D 2543/00099;
B65D 2543/00074; B65D 2543/00148;
B65D 2543/00174; B65D 2543/00296;
B65D 2543/00231; B65D 2543/00537;
B65D 2543/00555; B65D 2543/00685;
B65D 2543/00759; B65D 2543/00796;

B65D 43/02; B65D 43/0212; B65D
43/0222; B65D 43/1252; B65D 43/0256;
B65D 43/0293; B65D 2517/5078; B65D
2517/5083; B65D 1/10; B65D 1/16;
B65D 2101/003; B65D 15/08; B65D
2251/023

See application file for complete search history.

(56) **References Cited**

U.S. PATENT DOCUMENTS

3,301,459 A *	1/1967	Gardner	B65D 43/0256
			220/266
3,362,569 A *	1/1968	Geiger	B21D 51/383
			220/268
3,777,968 A *	12/1973	Law	B65D 43/0268
			215/254
D276,401 S *	11/1984	Daenen	D7/602
D330,312 S *	10/1992	Narsutis	D7/629
D362,932 S *	10/1995	Brightbill	D32/37
D425,416 S *	5/2000	Denham	D9/416
D467,800 S *	12/2002	Chen	D9/428

(Continued)

Primary Examiner — Derrick Holland

Assistant Examiner — Lauren Calve

(74) *Attorney, Agent, or Firm* — Fitch, Even, Tabin &
Flannery LLP

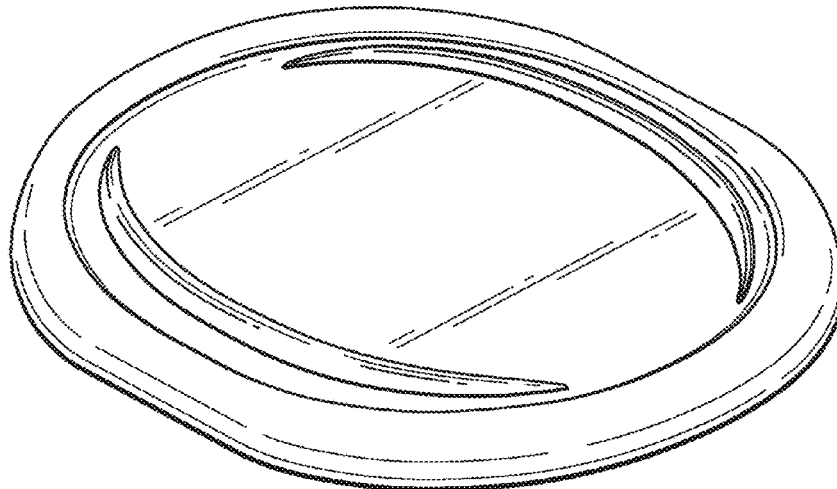
(57) **CLAIM**

The ornamental design for a lid, as shown and described.

DESCRIPTION

FIG. 1 is a perspective view of a lid showing our new design;
FIG. 2 is a top plan view thereof;
FIG. 3 is a bottom plan view thereof;
FIG. 4 is a front elevation view thereof, the rear elevation
view being identical thereto; and,
FIG. 5 is a right side elevation view thereof, the left side
elevation view being identical thereto.

1 Claim, 3 Drawing Sheets



(56)

References Cited

U.S. PATENT DOCUMENTS

D630,512	S	*	1/2011	Venier	D9/425
D632,559	S	*	2/2011	Georgiadis	D9/424
D641,628	S	*	7/2011	Baughman	D9/452
D650,660	S	*	12/2011	Shiffer	D9/425
D650,661	S	*	12/2011	Shiffer	D9/425
D650,662	S	*	12/2011	Shiffer	D9/425
D666,876	S	*	9/2012	Rusnak	D7/602
D669,313	S	*	10/2012	Paladino	D7/602
D675,518	S	*	2/2013	Wheaton	D9/424
D679,991	S	*	4/2013	Hudson	D9/428
D682,108	S	*	5/2013	Berggren	D9/454
D706,131	S	*	6/2014	Brooks	D9/428
8,851,314	B2	*	10/2014	Hudson	B65D 43/0212 206/541
D718,983	S	*	12/2014	Yessin	D7/629
D720,613	S	*	1/2015	Dziaba	D9/424
D748,991	S	*	2/2016	Cerrato	D9/737
D760,075	S	*	6/2016	Irimia	D9/435
D764,277	S	*	8/2016	Irimia	D9/428
D765,503	S	*	9/2016	Shiffer	D9/428
D766,079	S	*	9/2016	Shiffer	D9/428
D772,701	S	*	11/2016	Dziaba	D9/428
2007/0062948	A1	*	3/2007	Albrecht	B65D 43/0212 220/266

* cited by examiner

FIG. 1

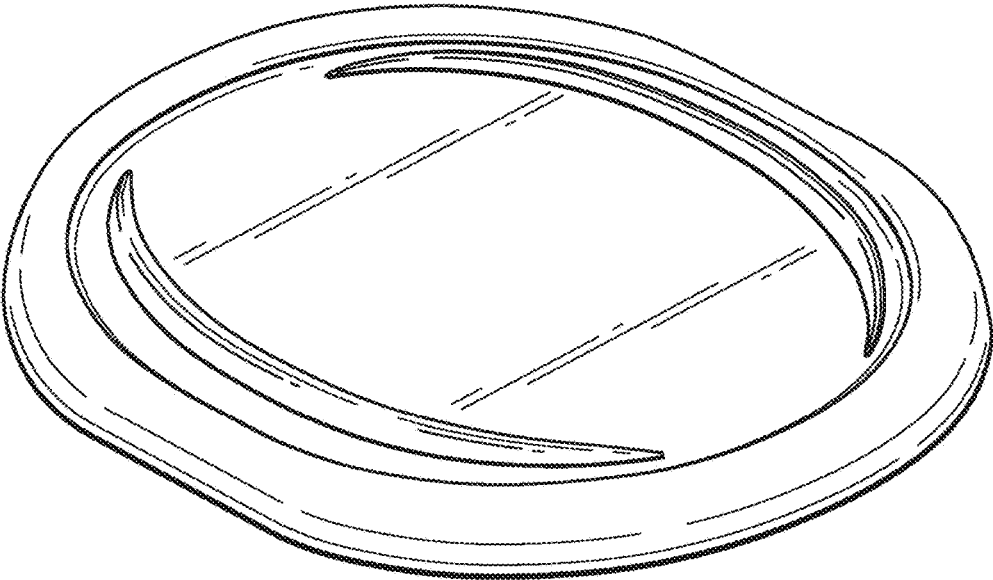


FIG. 2

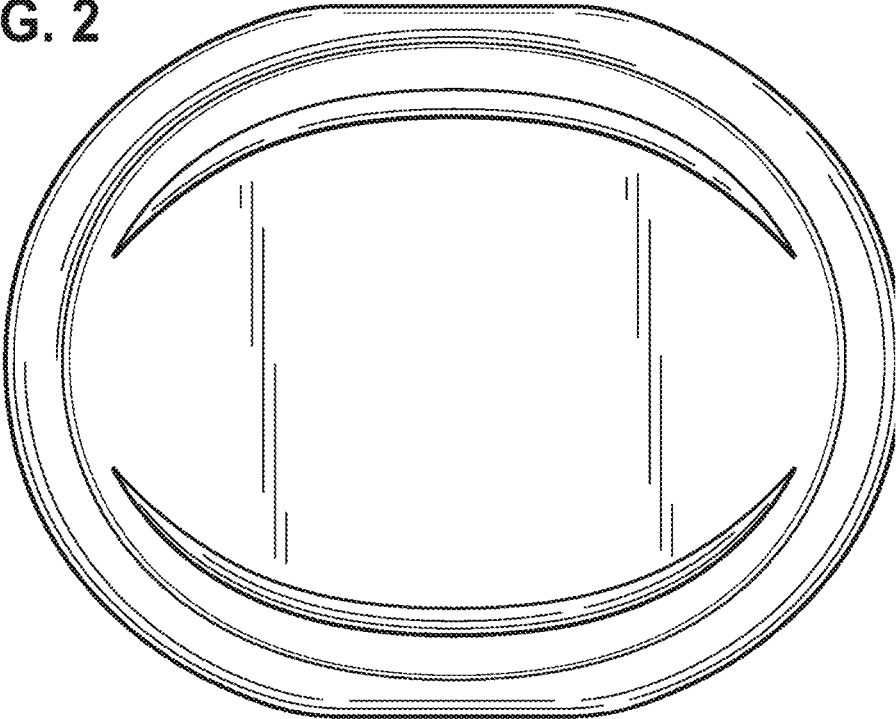


FIG. 3

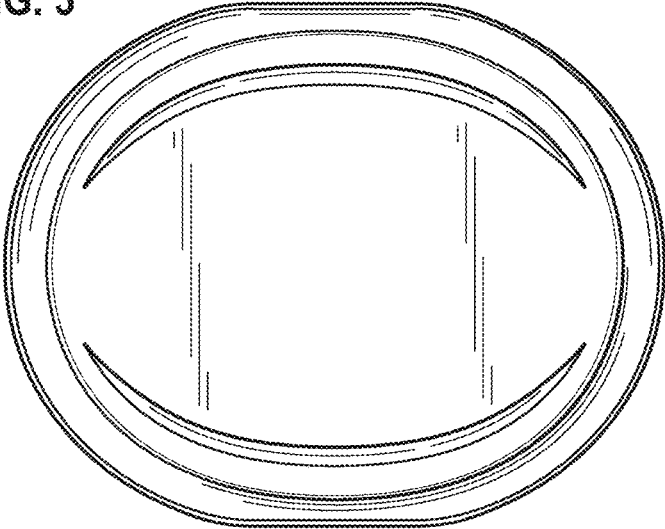


FIG. 4

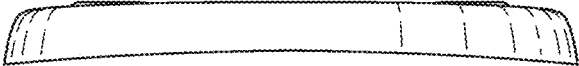


FIG. 5

