



US00D641362S

(12) **United States Design Patent**  
**Dublin**

(10) **Patent No.:** **US D641,362 S**

(45) **Date of Patent:** **\*\* Jul. 12, 2011**

(54) **CARTRIDGE DRIVE**

(75) Inventor: **Bill James Dublin**, San Jose, CA (US)

(73) Assignee: **Seagate Technology LLC**, Scotts Valley, CA (US)

(\*\*) Term: **14 Years**

(21) Appl. No.: **29/362,953**

(22) Filed: **Jun. 2, 2010**

(51) **LOC (9) Cl.** ..... **14-02**

(52) **U.S. Cl.** ..... **D14/356**

(58) **Field of Classification Search** ..... D14/300-302,  
D14/314, 348-358, 432, 496, 125, 240, 242,  
D14/299; 361/679.31-679.45; D3/201,  
D3/273; D18/56; D10/65, 75, 78; D13/103,  
D13/149, 162, 184, 199

See application file for complete search history.

(56) **References Cited**

**U.S. PATENT DOCUMENTS**

D248,470 S *	7/1978	Talesfore .....	D14/435
D269,697 S *	7/1983	Graham et al. ....	D23/245
D272,342 S *	1/1984	Cheng .....	D14/435
D290,119 S *	6/1987	Trezise et al. ....	D14/189
D290,705 S *	7/1987	Yomo .....	D14/435
D297,633 S *	9/1988	Peroni .....	D13/184
4,937,806 A *	6/1990	Babson et al. ....	720/651
5,036,429 A *	7/1991	Kaneda et al. ....	361/679.32
5,119,497 A *	6/1992	Freige et al. ....	361/679.46
D333,464 S *	2/1993	Yoshida .....	D14/435
D358,380 S *	5/1995	Sakaguchi .....	D14/357
D368,429 S *	4/1996	Serio, Jr. ....	D9/431
D394,386 S *	5/1998	Fischer .....	D9/432
D414,481 S *	9/1999	Wu .....	D14/436
D424,026 S *	5/2000	Kabat .....	D13/184
D456,001 S *	4/2002	Arbisi et al. ....	D13/103

D471,693 S *	3/2003	Wolff .....	D1/127
D477,824 S *	7/2003	Taniguchi .....	D14/434
D545,818 S *	7/2007	Hochendoner et al. ....	D14/358
D565,568 S *	4/2008	Trifilio et al. ....	D14/356
D565,571 S *	4/2008	Trifilio et al. ....	D14/434
D568,865 S *	5/2008	Wada et al. ....	D14/168
D574,850 S *	8/2008	Zimman et al. ....	D14/496
D594,864 S *	6/2009	Song .....	D14/358
D610,538 S *	2/2010	Wu et al. ....	D13/103

**OTHER PUBLICATIONS**

Odyssey Removable Hard Disk Storage System, [online], [retrieved on Mar. 23, 2007]. Retrieved from the Internet <URL: www.imation.com/Odyssey>.\*

\* cited by examiner

*Primary Examiner* — Cathron Brooks

*Assistant Examiner* — Karen E Kearney

(74) *Attorney, Agent, or Firm* — Banner & Witcoff, Ltd.

(57) **CLAIM**

The ornamental design for a cartridge drive, as shown and described.

**DESCRIPTION**

FIG. 1 is a perspective view of a cartridge drive showing my new design;

FIG. 2 is a top view thereof;

FIG. 3 is a bottom view thereof;

FIG. 4 is a left side view thereof;

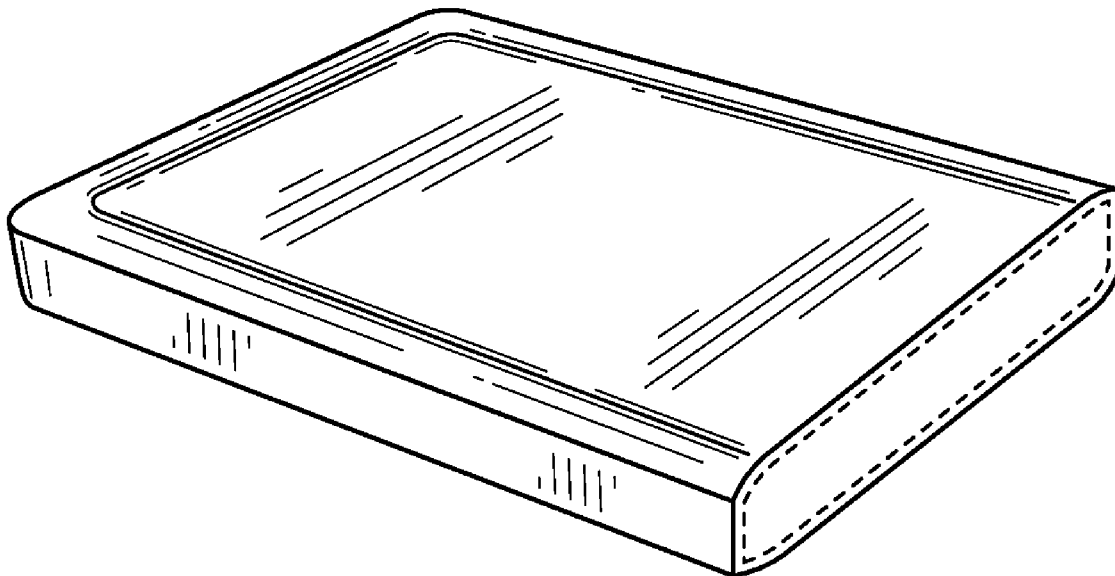
FIG. 5 is a right side view thereof;

FIG. 6 is a front view thereof; and,

FIG. 7 is a rear view thereof.

The broken lines immediately adjacent the shaded areas represent the bounds of the claimed design and form no part of the claimed design.

**1 Claim, 3 Drawing Sheets**



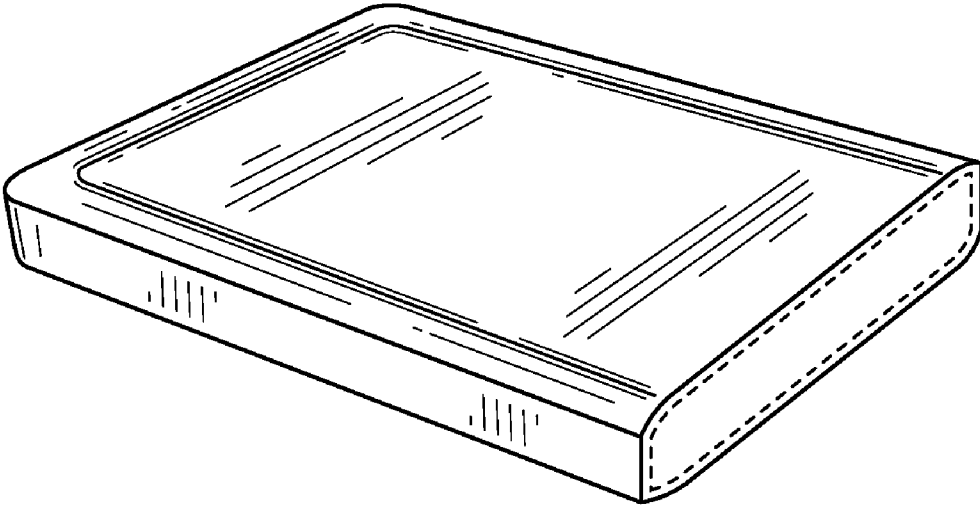


FIG. 1

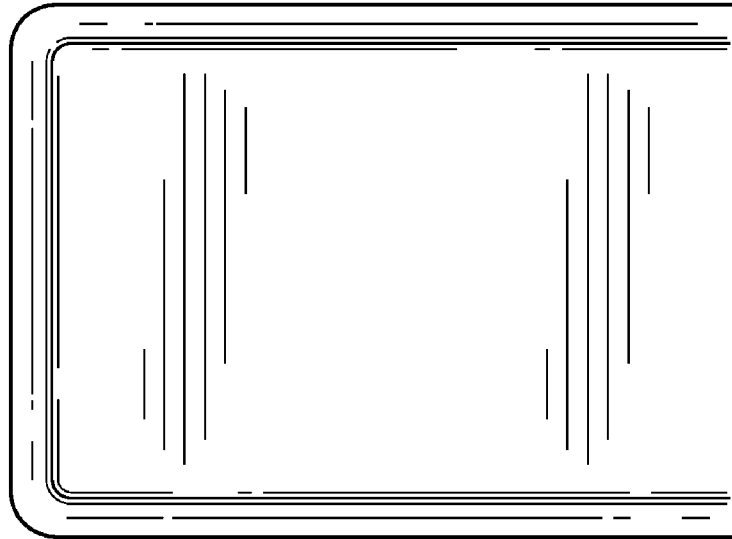


FIG. 2

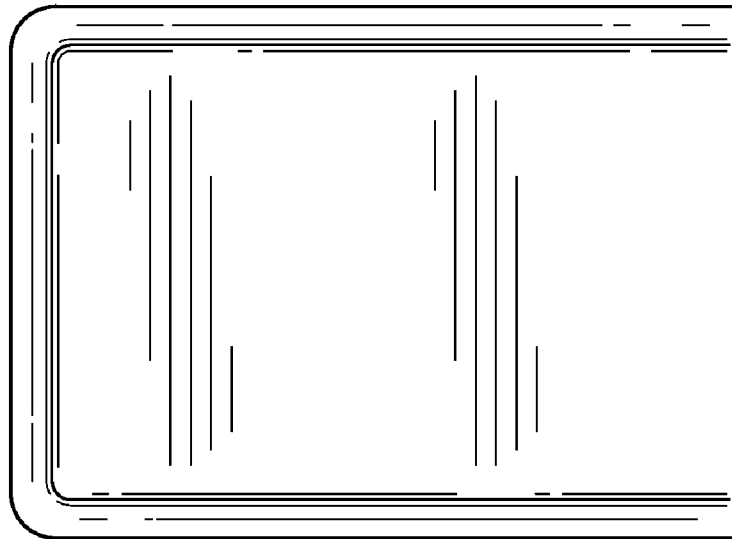


FIG. 3



FIG. 4



FIG. 5



FIG. 6

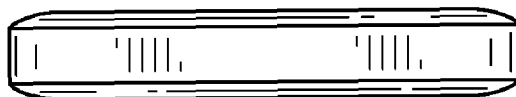


FIG. 7