

(19) World Intellectual Property Organization
International Bureau



(43) International Publication Date
31 January 2008 (31.01.2008)

PCT

(10) International Publication Number
WO 2008/012746 A3

- (51) **International Patent Classification:**
H02G 3/06 (2006.01)
- (21) **International Application Number:**
PCT/IB2007/052900
- (22) **International Filing Date:** 20 July 2007 (20.07.2007)
- (25) **Filing Language:** Italian
- (26) **Publication Language:** English
- (30) **Priority Data:**
06425510.2 21 July 2006 (21.07.2006) EP
- (71) **Applicant (for all designated States except US):**
LEGRAND S.P.A. [IT/IT]; S.S. 35 dei Giovi km. 108, I-20080 Zibido San Giacomo (milano) (IT).
- (72) **Inventors; and**
- (75) **Inventors/Applicants (for US only):** **GARASSINO, Luca** [IT/IT]; Via Garibaldi 7, I-15067 Novi Ligure (alessandria) (IT). **FORNASIERO, Enrico** [IT/IT]; Via Calderoni 23, I-15070 Lerma (alessandria) (IT).
- (74) **Agents:** **DEAMBROGI, Edgardo** et al.; Corso Emilia 8, I-10152 Torino (IT).
- (81) **Designated States (unless otherwise indicated, for every kind of national protection available):** AE, AG, AL, AM, AT, AU, AZ, BA, BB, BG, BH, BR, BW, BY, BZ, CA, CH,

CN, CO, CR, CU, CZ, DE, DK, DM, DO, DZ, EC, EE, EG, ES, FI, GB, GD, GE, GH, GM, GT, HN, HR, HU, ID, IL, IN, IS, JP, KE, KG, KM, KN, KP, KR, KZ, LA, LC, LK, LR, LS, LT, LU, LY, MA, MD, ME, MG, MK, MN, MW, MX, MY, MZ, NA, NG, NI, NO, NZ, OM, PG, PH, PL, PT, RO, RS, RU, SC, SD, SE, SG, SK, SL, SM, SV, SY, TJ, TM, TN, TR, TT, TZ, UA, UG, US, UZ, VC, VN, ZA, ZM, ZW.

(84) **Designated States (unless otherwise indicated, for every kind of regional protection available):** ARIPO (BW, GH, GM, KE, LS, MW, MZ, NA, SD, SL, SZ, TZ, UG, ZM, ZW), Eurasian (AM, AZ, BY, KG, KZ, MD, RU, TJ, TM), European (AT, BE, BG, CH, CY, CZ, DE, DK, EE, ES, FI, FR, GB, GR, HU, IE, IS, IT, LT, LU, LV, MC, MT, NL, PL, PT, RO, SE, SI, SK, TR), OAPI (BF, BJ, CF, CG, CI, CM, GA, GN, GQ, GW, ML, MR, NE, SN, TD, TG).

Declarations under Rule 4.17:

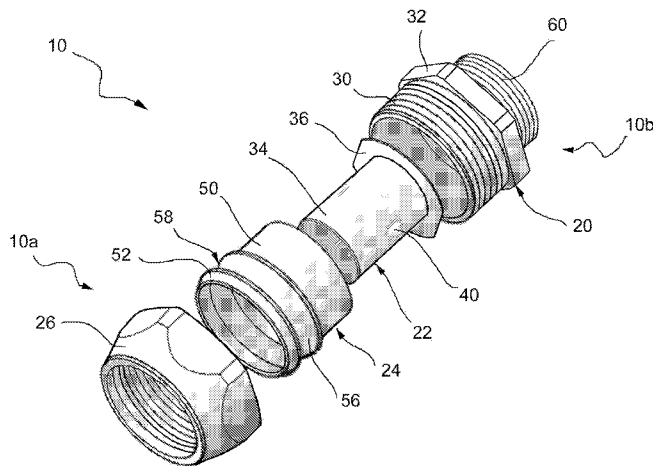
- as to applicant's entitlement to apply for and be granted a patent (Rule 4.17(ii))
- of inventorship (Rule 4.17(iv))

Published:

- with international search report
- before the expiration of the time limit for amending the claims and to be republished in the event of receipt of amendments

[Continued on next page]

(54) **Title:** CABLE GLAND ASSEMBLIES



(57) **Abstract:** A mechanically-tightened connector (10) for cable conduit systems is described, comprising: a main axially-hollow body (20) adapted to house by insertion a cable conduit element (12) and having a threaded portion (30) for connecting a locknut (26) of the connector; a retaining member (22) for retaining the cable conduit element (12) inside the body (20) of the connector (10) and formed separately from it, adapted to resist traction and prevent the element (12) from being pulled out, including a tubular structure (34), adapted to engage in a terminal portion of the cable conduit element (12); a resiliently deformable sealing ring (56), designed to surround the cable conduit element (12) in the inserted condition and adapted to undergo radial compression when the nut (26) is tightened onto the body (20) of the connector (10) so as to squeeze the profile of the cable conduit element (12) and create a seal against external agents; and a backing element (24; 72) adapted to axially hold the retaining member (22) in a preassembled untightened arrangement ready to receive the said cable conduit element (12).

WO 2008/012746 A3



(88) Date of publication of the international search report:
3 April 2008

INTERNATIONAL SEARCH REPORT

International application No

PCT/IB2007/052900

A. CLASSIFICATION OF SUBJECT MATTER
INV. H02G3/06

According to International Patent Classification (IPC) or to both national classification and IPC

B. FIELDS SEARCHED

Minimum documentation searched (classification system followed by classification symbols)
H02G

Documentation searched other than minimum documentation to the extent that such documents are included in the fields searched

Electronic data base consulted during the international search (name of data base and, where practical, search terms used)

EPO-Internal

C. DOCUMENTS CONSIDERED TO BE RELEVANT

Category*	Citation of document, with indication, where appropriate, of the relevant passages	Relevant to claim No.
X	DE 298 02 614 U1 (FLEXA GMBH & CO KG [DE]) 7 May 1998 (1998-05-07) page 4 - page 7; figures 1-3	1-4, 7-10, 18
X	US 3 603 912 A (KELLY WILLIAM E) 7 September 1971 (1971-09-07) column 2, line 62 - column 4, line 58; figures 1-4	1-4, 7, 18
X	GB 2 130 446 A (THOMAS & BETTS CORP) 31 May 1984 (1984-05-31)	1, 7
A	abstract; figures 1, 2	10, 11, 13
X	FR 2 794 908 A1 (CAPRI CODEC SA [FR]) 15 December 2000 (2000-12-15) abstract; figure 1	1, 2, 7
	----- -/--	

Further documents are listed in the continuation of Box C.

See patent family annex.

* Special categories of cited documents :

- *A* document defining the general state of the art which is not considered to be of particular relevance
- *E* earlier document but published on or after the international filing date
- *L* document which may throw doubts on priority claim(s) or which is cited to establish the publication date of another citation or other special reason (as specified)
- *O* document referring to an oral disclosure, use, exhibition or other means
- *P* document published prior to the international filing date but later than the priority date claimed

- *T* later document published after the international filing date or priority date and not in conflict with the application but cited to understand the principle or theory underlying the invention
- *X* document of particular relevance; the claimed invention cannot be considered novel or cannot be considered to involve an inventive step when the document is taken alone
- *Y* document of particular relevance; the claimed invention cannot be considered to involve an inventive step when the document is combined with one or more other such documents, such combination being obvious to a person skilled in the art.
- *G* document member of the same patent family

Date of the actual completion of the international search

23 January 2008

Date of mailing of the international search report

30/01/2008

Name and mailing address of the ISA/

European Patent Office, P.B. 5818 Patentlaan 2
NL - 2280 HV Rijswijk
Tel. (+31-70) 340-2040, Tx. 31 651 epo nl,
Fax: (+31-70) 340-3016

Authorized officer

Popescu, Alexandru

INTERNATIONAL SEARCH REPORT

International application No
PCT/IB2007/052900

C(Continuation). DOCUMENTS CONSIDERED TO BE RELEVANT		
Category*	Citation of document, with indication, where appropriate, of the relevant passages	Relevant to claim No.
X	GB 1 243 572 A (DAVIS AND TIMMINS LTD) 18 August 1971 (1971-08-18) the whole document -----	1,14
X	FR 94 562 E (SOCIETE INDUSTRIELLE DE BOULAY) 12 September 1969 (1969-09-12) figure 1 -----	1,2
X	US 5 208 427 A (COUTO LUIS R [US] ET AL) 4 May 1993 (1993-05-04) abstract; figures 1-5 -----	1,7
A	US 4 990 721 A (SHEEHAN ROBERT K [US]) 5 February 1991 (1991-02-05) abstract; figures 1-6 -----	2-7, 18-30
A	US 5 200 575 A (SHEEHAN ROBERT K [US]) 6 April 1993 (1993-04-06) abstract; figures 1-10 -----	2-7, 18-30

INTERNATIONAL SEARCH REPORT

Information on patent family members

International application No

PCT/IB2007/052900

Patent document cited in search report	°	Publication date	Patent family member(s)	Publication date
DE 29802614	U1	07-05-1998	NONE	
US 3603912	A	07-09-1971	NONE	
GB 2130446	A	31-05-1984	AU 548691 B2 AU 2064283 A CA 1208327 A1 US 4493522 A ZA 8307982 A	02-01-1986 10-05-1984 22-07-1986 15-01-1985 27-06-1984
FR 2794908	A1	15-12-2000	NONE	
GB 1243572	A	18-08-1971	ZA 7002080 A	27-05-1971
FR 94562	E	12-09-1969	NONE	
US 5208427	A	04-05-1993	CA 2087075 A1 DE 69303834 D1 DE 69303834 T2 EP 0554044 A2	01-08-1993 05-09-1996 16-01-1997 04-08-1993
US 4990721	A	05-02-1991	AU 7244791 A CA 2073001 A1 WO 9111046 A1	05-08-1991 13-07-1991 25-07-1991
US 5200575	A	06-04-1993	NONE	