

(19) World Intellectual Property Organization
International Bureau



(43) International Publication Date
1 April 2004 (01.04.2004)

PCT

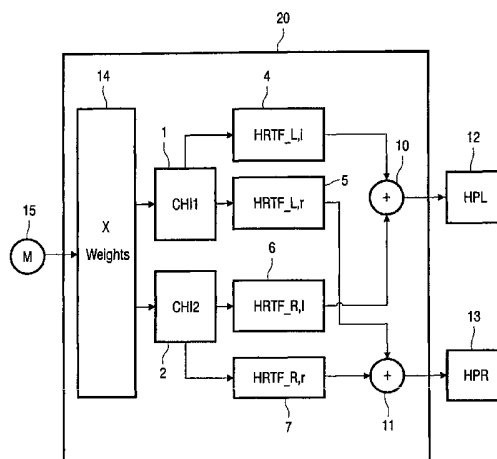
(10) International Publication Number
WO 2004/028204 A2

- (51) International Patent Classification⁷: **H04S**
- (21) International Application Number:
PCT/IB2003/004002
- (22) International Filing Date:
16 September 2003 (16.09.2003)
- (25) Filing Language: English
- (26) Publication Language: English
- (30) Priority Data:
02078943.4 23 September 2002 (23.09.2002) EP
- (71) Applicant (for all designated States except US): **KONINKLIJKE PHILIPS ELECTRONICS N.V.** [NL/NL]; Groenewoudseweg 1, NL-5621 BA Eindhoven (NL).
- (72) Inventors; and
- (75) Inventors/Applicants (for US only): **AARTS, Ronaldus, M.** [NL/NL]; c/o Prof. Holstlaan 6, NL-5656 AA Eindhoven (NL). **IRWAN, Roy** [NL/NL]; c/o Prof. Holstlaan 6, NL-5656 AA Eindhoven (NL). **SCHOBEN, Daniel, W., E.** [NL/NL]; c/o Prof. Holstlaan 6, NL-5656 AA Eindhoven (NL).
- (74) Agent: **DUIJVESTIJN, Adrianus, J.**; Philips Intellectual Property & Standards, Prof. Holstlaan 6, NL-5656 AA Eindhoven (NL).
- (81) Designated States (national): AE, AG, AL, AM, AT, AU, AZ, BA, BB, BG, BR, BY, BZ, CA, CH, CN, CO, CR, CU, CZ, DE, DK, DM, DZ, EC, EE, EG, ES, FI, GB, GD, GE, GH, GM, HR, HU, ID, IL, IN, IS, JP, KE, KG, KP, KR, KZ, LC, LK, LR, LS, LT, LU, LV, MA, MD, MG, MK, MN, MW, MX, MZ, NI, NO, NZ, OM, PG, PH, PL, PT, RO, RU, SC, SD, SE, SG, SK, SL, SY, TJ, TM, TN, TR, TT, TZ, UA, UG, US, UZ, VC, VN, YU, ZA, ZM, ZW.
- (84) Designated States (regional): ARIPO patent (GH, GM, KE, LS, MW, MZ, SD, SL, SZ, TZ, UG, ZM, ZW), Eurasian patent (AM, AZ, BY, KG, KZ, MD, RU, TJ, TM), European patent (AT, BE, BG, CH, CY, CZ, DE, DK, EE, ES, FI, FR, GB, GR, HU, IE, IT, LU, MC, NL, PT, RO, SE, SI, SK, TR), OAPI patent (BF, BJ, CF, CG, CI, CM, GA, GN, GQ, GW, ML, MR, NE, SN, TD, TG).

Published:
— without international search report and to be republished upon receipt of that report

[Continued on next page]

(54) Title: GENERATION OF A SOUND SIGNAL



(57) Abstract: The present invention relates to a method and a media system of/for generation of at least one output signal (HPL, HPR) from at least one input signal from a second set of sound signals (M) having a related second set of Head Related Transfer Functions. The media system can be a TV, a CD player, a DVD player, a Radio, a display, an amplifier, a headphone or a VCR. Said method includes the steps of determining, for each signal in the second set of sound signals, a weighted relation (14) comprising at least one signal from a third set of intermediate sound signals (CHI1, CHI2) and at least one weight value (Weights); determining a first set of Head Related Transfer Functions (HRTFs) based on the second set of sound signals, the second set of Head Related Transfer Functions and the weighted relation; and transferring at least one signal from the third set of intermediate sound signals by means of at least one HRTF from said first set of Head Related Transfer Functions in order to generate at least one output signal belonging to said first set of sound signals. Hereby, in the end, fewer HRTFs are determined for a subsequent transfer of input signal(s) to output signal(s). Accordingly few convolutions are required.

WO 2004/028204 A2



For two-letter codes and other abbreviations, refer to the "Guidance Notes on Codes and Abbreviations" appearing at the beginning of each regular issue of the PCT Gazette.

Generation of a sound signal

The present invention relates to, in a media system, a method of generating at least one output signal from at least one input signal from a second set of sound signals having a related second set of Head Related Transfer Functions.

5 The present invention also relates to a computer system for performing the method.

The present invention further relates to a computer program product for performing the method.

10 This invention further relates to a media system for generating at least one output signal from a first set of sound signals from at least one input signal from a second set of sound signals having a related second set of Head Related Transfer Functions.

15 WO 01/49073 discloses a sound reproduction system simulating external sound sources. The system uses a number of so-called Head Related Transfer Functions, HRTFs, to generate sound for a set of headphones.

20 It is generally known in prior art literature that input channels of sound sources which are to be combined into outputs, i.e. resulting sound signals, will require a relatively high number of HRTFs. This typically leads to system implementations with said HRTFs, which are quite expensive, require unnecessary convolutions and are complex to design. This will be discussed further by means of figure 1 and 2, where prior art applications and the invention with corresponding formulas and numbers of HRTFs are shown by means of calculation.

25 The above problems are solved by said method, the method comprising the steps of:

- determining, for each signal in the second set of sound signals, a weighted relation comprising at least one signal from a third set of intermediate sound signals and at least one weight value;

- determining a first set of Head Related Transfer Functions based on the second set of sound signals, the second set of Head Related Transfer Functions and the weighted relation; and
- transferring at least one signal from the third set of intermediate sound signals by means of at least one HRTF from said first set of Head Related Transfer Functions in order to generate at least one output signal belonging to said first set of sound signals.

In the first step, for each signal in the second set of sound signals, i.e. for each signal in a number of input sound signals, a weighted relation comprised by intermediate sound signals and at least one weight value is determined. Hereby said input sound signals are converted to intermediate sound signals for a subsequent internally use.

In the second step, said first, but new set of HRTFs is then determined based on the second set of sound signals, typically input sound signals and said second set of Head Related Transfer Functions, related to said input sound signals and initially dedicated to transform or transfer said second set of input sound signals.

It is an advantage that in said determination – which will be discussed in the embodiments according to the invention - the new set of HRTFs comprises fewer HRTFs than said second set of Head Related Transfer Functions originally dedicated to transfer the input sound signals.

Subsequently, in the third step, said new, but fewer HRTFs (i.e. first set of Head Related Transfer Functions) are used to generate one or more output signal (belonging to said first set of sound signals) since one or more signals from the third set of intermediate sound signals is transferred by means of said new, lower number of HRTFs in order to obtain said output signals.

Said problems are further solved by said media system on which said method can be executed. The media system may be a TV, a CD player, a DVD player, a Radio, a display with sound, an amplifier, a headphone or a VCR.

In a preferred embodiment, said media system comprising:

- means for determining for each signal in the second set of sound signals, a weighted relation comprising at least one signal from a third set of intermediate sound signals and at least one weight value;
- means for determining a first set of Head Related Transfer Functions based on the second set of sound signals, the second set of Head Related Transfer Functions and the weighted relation; and

- means for transferring at least one signal from the third set of intermediate sound signals by means of at least one HRTF from said first set of Head Related Transfer Functions in order to generate at least one output signal belonging to said first set of sound signals.

The media system gives the same advantages for the same reasons as
5 described previously in relation to the method.

The prior art and the invention will be explained more fully below in
connection with preferred embodiments and with reference to the drawings, in which:

10 Fig. 1 shows examples of the generation of two output sound signals from
three input sound signals in the prior art and according to the invention;

fig. 2 shows the generation of two output sound signals from one input sound
signal; and

15 fig. 3 shows a method of generating at least one output sound signal from at
least one input sound signal from a second set of input sound signals having a related second
set of Head Related Transfer Functions.

Throughout the drawings, the same reference numerals and like names
indicate similar or corresponding features, functions, etc.

20

In the present invention a set of head related transfer functions (HRTFs) may
be used to generate one or more sound signals. The HRTFs may be defined as functions
describing how sound propagates from a specific sound source to the ear and the number of
HRTFs belonging to a set, this could be from one HRTF describing sound propagation from a
25 source to the two ears and to a number of HRTFs depending on the number of sources
delivering sound. Alternatively, from few (n) inputs signals, m intermediate signals are
derived which needs 2 times m HRTFs ($m > n$) head related transfer functions (HRTFs) may
be used to expand said input signals (as the source) into multi-channel sound (as an
intermedia product), which then may be down-mixed to fewer resulting output sound signals,
30 e.g. a Left and a Right signal for a headphone.

A description of HRTF can further be found in the following journal: H.
Moller, "Fundamentals of binaural technology", Applied Acoustics, Special issue on auditory
environment and telepresence, Vol. 36, No. 3-4, pp. 171-218, (1992).

In the following HRTF is defined in further detail. By finding the sound pressure that an arbitrary source produces at the eardrum (taking into consideration parameters such as the distance between the ears and the shape of the outer ear), all that is needed is the impulse response from the source to the eardrum, which can be measured e.g. by placing a microphone in the ear. This is called the Head-Related Impulse Response, and its Fourier transform is called the Head Related Transfer Function (HRTF). The HRTF captures all of the physical cues to source localization. Once the HRTF for the left ear and the right ear are known, it is possible to synthesize accurate binaural signals from a monaural source. The head related transfer function is well known and is described in a number of documents, such as Blauert, *Spatial hearing: The Psychophysics of Human Sound Localization* (MIT Press, Cambridge, MA, 1983). When sound is filtered by a set of HRTFs the sound is optimised for the person to which the set of HRTFs belongs and therefore the sound experience is never optimal for anyone but the person to which the set of HRTFs belongs. The set of HRTFs are filter functions with parameters or coefficients being specific for specific persons. For a specific person different sets of HRTFs can be obtained depending on the arbitrary source mentioned above, the distance between the source and the person and also on the characteristics of the room in which the function parameters are measured. When e.g. the source is headphones, the HRTFs depend on the headphone through which sound reproduction takes place. The result of filtering sound using this function is that an optimal spatial reproduction of surround sound in headphones is obtained. The source could also be a typical loudspeaker; in this case it is necessary to perform cross-talk cancellation, which e.g. can be based on the HRTF.

Stereophonic sound signals comprise a left and a right signal component which may originate from a stereo signal source, for example from a set of microphones, e.g. via further electronic equipment, such as a mixing equipment, etc. The signals may further be received as an output from another stereo player, over-the-air as a radio signal, or by any other suitable means.

Fig. 1 shows examples of the generation of two output sound signals from three input sound signals in the prior art and according to the invention. Said two sound signals may in a typical use comprise a stereophonic signal distributed to two speakers in a headphone.

Firstly, according to the prior art, it is well known to reproduce multi-channel sound via headphones. This multi-channel sound reproduction through a headphone makes use of the known techniques called binaural and Head Related Transfer Function (HRTF).

The term "binaural" refers to the fact that there are two inputs to the listener's ears (left and right). Any set of left and right channel signals that are recorded at the position of the eardrum are called binaural signals.

It is the intention to have the same sound at the eardrum when using a
 5 headphone as when loudspeakers are playing. In order to achieve this, more knowledge must be gathered about the transmissions of the sound source into the eardrum. This transmission is best described in terms of Head Related Transfer Functions (HRTF) that include any linear filtering, such as coloration and inter-aural time and spectral differences. Inter-aural time differences occur because a sound wave travels at two different distances to left and right ear.
 10 These transfer functions depend on the angle of incidence and distance to the sound source.

Reverting back to the figure, reference numerals 1, 2 and 3 indicate the corresponding three channels (i.e. three input sound signals) CH₁, CH₂ and CH₃ combined into a left, H_{PL} and a right H_{PR} resulting (output) sound signal for the headphone. Said channels are each transmitted by means of three related Head Related Transfer Functions,
 15 reference numerals 4 through 9. In other words, CH₁ is transmitted by means of the Head Related Transfer Function HRTF₁, correspondingly CH₂ is transmitted by means of the Head Related Transfer Function HRTF₂, etc. This is performed for both channels in order to achieve - by summation of products of channels and related HRTFs, reference numerals 10 and 11 - that the stereophonic signals are generated. Said stereophonic (output) signals are
 20 indicated by left, H_{PL} reference numeral 12, and right, H_{PR} reference numeral 13, as the two resulting sound signals.

The summation for the left resulting sound signal is then:

$$H_{PL} = CH_1 \cdot HRTF_{1,L} + CH_2 \cdot HRTF_{2,L} + CH_3 \cdot HRTF_{3,L} \quad (1)$$

25

Correspondingly, summation for the right resulting sound signal will then be:

$$H_{PR} = CH_1 \cdot HRTF_{1,R} + CH_2 \cdot HRTF_{2,R} + CH_3 \cdot HRTF_{3,R} \quad (2)$$

30

Thus in the prior art case, this transmission will require two times three, i.e. six Head Related Transfer Functions.

Generally throughout the application, the notation " • " denotes a product if the above-mentioned variables are in the frequency domain; whereas in the time domain, " • " denotes a convolution of the variables.

Generally and correspondingly, when expanding the prior art example, $n=3$ (input) channels of sound sources (CH_1 to CH_3) to be combined into m sound outputs, i.e. m resulting sound signals, will require n times m Head Related Transfer Functions.

Secondly, according to a preferred embodiment of the invention, the same transmission - as the prior art example - may be implemented in a different way. In order to continue the example, the same three channels (CH_1 , CH_2 , and CH_3) will be discussed. It is that these may be linear combinations or a weighted version of the left and right (intermediate) channel with the weights α and β . Said α and β may have their weight values depending on each channel, i.e. L and R, thus in general:

10

$$CH_i = \alpha_i \cdot L + \beta_i \cdot R. \quad (3)$$

Someone skilled in the art may - when applying the invention for more than two channels (L, R), e.g. for a third, a fourth channel, etc, i.e. C, D, etc - subsequently generalize formula (3) into:

15

$$CH_i = \alpha_i \cdot L + \beta_i \cdot R + c_i \cdot C + d_i \cdot D, \text{ etc for a corresponding higher number of}$$

resulting (output) sound signals (H_{PL} , H_{PR} , H_{PC} , H_{PD} , etc.) for corresponding speakers or end result sounds.

20

In the Sound Engineering Society Conference Paper, presented at the 19th International Conference 2001 June 21 - 24 Schloss Elmau, Germany by Roy Irwan and Ronald M. Aarts, Philips Research Laboratories, a method to convert stereo to multi-channel sound is disclosed. In this paper - on page 3 - said α and β 's are defined using a corresponding $W_L(k)$ and $W_R(k)$ (weight) notation - at the time instant k - for the left and right channel, respectively.

25

For the sake of conciseness, two channels (of resulting (output) sound signals) will only be used in this example.

Continuing the prior art example of figure 1, but implemented in a preferred first embodiment of the invention according to the following:

30

$$CH_1 = \alpha_1 \cdot L + \beta_1 \cdot R \quad (4)$$

$$CH_2 = \alpha_2 \cdot L + \beta_2 \cdot R \quad (5)$$

$$CH_3 = \alpha_3 \cdot L + \beta_3 \cdot R \quad (6)$$

5 It is found that formula (1) and (2) may still be applied for the summation (of products of channels and related HRTFs), thus when (4)(5) and (6) are inserted in (1) and (2), it gives:

$$10 \quad H_{PL} = (\alpha_1 \cdot L + \beta_1 \cdot R) \cdot HRTF_{1,L} + (\alpha_2 \cdot L + \beta_2 \cdot R) \cdot HRTF_{2,L} + (\alpha_3 \cdot L + \beta_3 \cdot R) \cdot HRTF_{3,L} \quad (7)$$

$$H_{PR} = (\alpha_1 \cdot L + \beta_1 \cdot R) \cdot HRTF_{1,R} + (\alpha_2 \cdot L + \beta_2 \cdot R) \cdot HRTF_{2,R} + (\alpha_3 \cdot L + \beta_3 \cdot R) \cdot HRTF_{3,R} \quad (8)$$

15 Or expressed differently:

$$H_{PL} = L \cdot (\alpha_1 \cdot HRTF_{1,L} + \alpha_2 \cdot HRTF_{2,L} + \alpha_3 \cdot HRTF_{3,L}) + R \cdot (\beta_1 \cdot HRTF_{1,L} + \beta_2 \cdot HRTF_{2,L} + \beta_3 \cdot HRTF_{3,L}); \quad (9)$$

20 Accordingly,

$$H_{PR} = L \cdot (\alpha_1 \cdot HRTF_{1,R} + \alpha_2 \cdot HRTF_{2,R} + \alpha_3 \cdot HRTF_{3,R}) + R \cdot (\beta_1 \cdot HRTF_{1,R} + \beta_2 \cdot HRTF_{2,R} + \beta_3 \cdot HRTF_{3,R}); \quad (10)$$

25 However, note – the HRTFs discussed so far in respect of the invention - are merely used as intermediate variables in the formulas – and are not and need not as opposed to the discussion relating to said prior art be implemented as real Head Related Transfer Functions.

Or for $i = 3$, i.e. in a generalized form:

30

$$H_{PL} = L \cdot \sum_i (\alpha_i \cdot HRTF_{i,L}) + R \cdot \sum_i (\beta_i \cdot HRTF_{i,L}) \quad (11)$$

$$H_{PR} = L \cdot \sum_i (\alpha_i \cdot HRTF_{i,R}) + R \cdot \sum_i (\beta_i \cdot HRTF_{i,R}) \quad (12)$$

Thus there are only two filters for the Left headphone driver, H_{PL} needed in order to filter the Left and Right signals respectively, since the factors in formula (11) $\sum(\alpha_i \cdot \text{HRTF}_{i,L})$, $\sum\beta_i \cdot \text{HRTF}_{i,L}$) are considered each as one filter.

Correspondingly, with regard to formula 12, $\sum(\alpha_i \cdot \text{HRTF}_{i,R})$ and $\sum\beta_i \cdot \text{HRTF}_{i,R}$) are the two filters for the Right headphone driver, H_{PR} .

Thus only two filters are needed to filter the Left and Right signals for the Right headphone driver.

Thus - when continuing the implementation according to the invention with three input sound channels - the transmission will now only require two times two, i.e. four Head Related Transfer Functions. Compared to the prior art example of figure 1 - where six Head Related Transfer Functions were required - the invention will require fewer Head Related Transfer Functions for the same transmission.

Correspondingly, fewer convolutions will be required for the same transmission.

In other words, when the example is further generalized - starting with and according to the prior art - in a simple cascading of sound signals, e.g. with $m = 2$ (i.e. stereo, two output channels or signals, e.g. for two headphone drivers), $n = 5$ input channels or sound signals (CH_1 to CH_5) will require a total of 2 times 5 that is 10 HRTF (in the prior art), but only four Head Related Transfer Functions for a similar transmission are still required according to the invention's first embodiment.

Fig. 2 shows the generation of two output sound signals from one input sound signal. Said two sound signals may in a typical use again comprise a stereophonic signal distributed to two speakers in a headphone, however in this example - as a second embodiment of the invention - only one source, M of an input sound signal is discussed.

Firstly, the prior art will be discussed with a calculation of HRTF's used:

The prior art is applied for only one input channel (as in this figure), i.e. an input sound source M and then distributed to two resulting (output) sound signals H_{PL} , H_{PR} . Compared to and according to figure 1, in principle one channel (i.e. CH_3) less is used; correspondingly, the summation for the left resulting (output) sound signal in the prior art is:

30

$$H_{PL} = CH_1 \cdot \text{HRTF}_{L,1} + CH_2 \cdot \text{HRTF}_{R,1} \quad (13)$$

And, correspondingly, summation for the right resulting (output) sound signal will then be:

$$H_{PR} = CH_1 \cdot HRTF_{L,r} + CH_2 \cdot HRTF_{R,r} \quad (14)$$

Here the first uppercase notation is each of the loudspeaker channels, L and R, respectively, and the second lower case notation is l for the left ear, r for the right ear.

5 Thus in this prior art case, this transmission will require two times two, i.e. four Head Related Transfer Functions.

Secondly, the second embodiment, i.e. figure 2, according to the invention will be discussed:

10 Imagine a (moving) singer "M" in a studio is recorded onto a CD with two output sound channels, H_{PL} and H_{PR} .

By using Principle Component Analysis, the necessary alpha's, α 's (as shown below in the formulas (15)) may be recovered. Hence two channels are used to locate the singer on the line between the loudspeakers. It may be the case that that the alpha's are time variant.

15 A general discussion on Principle Component Analysis can be found in Principal Component Analysis by S. Haykin, Neural Networks, Prentice-Hall, N.J., 1999, Second Edition which is used in the previously mentioned article: "A method to convert stereo to multi-channel."

20 The single sound (input) source, M may be anywhere between two loudspeakers. E.g. in a studio there is a singer M, pan-potted between both (or even more channels) so the left intermediate channel (CHI_1) which may be expressed as $\alpha_{i1} \cdot M$ and the right intermediate channel (CHI_2) may be expressed as $\alpha_{i2} \cdot M$, thus:

$$CHI_1 = \alpha_{i1} \cdot M \text{ and } CHI_2 = \alpha_{i2} \cdot M \quad (15)$$

25 However, note – said channels (CHI_1, CHI_2) in respect of the invention for this particular embodiment - are merely used as intermediate channels (variables) in the formulas – and are not real channels as opposed to the discussion (i.e. CH_1, CH_2) relating to the prior art.

30 In other words, - in respect of the invention - left and right (intermediate channels) are mapped onto one channel M.

So equation 13 and 14 can - switching from the prior art to another embodiment of the invention according to figure 2 - be expressed as:

$$H_{PL} = \alpha_{i1} \cdot M \cdot HRTF_{L,l} + \alpha_{i2} \cdot M \cdot HRTF_{R,l} \quad (16)$$

$$H_{PR} = \alpha_{i1} \cdot M \cdot HRTF_{L,r} + \alpha_{i2} \cdot M \cdot HRTF_{R,r} \quad (17)$$

5 or

$$H_{PL} = M \cdot (\alpha_{i1} \cdot HRTF_{L,l} + \alpha_{i2} \cdot HRTF_{R,l}) \quad (18)$$

$$H_{PR} = M \cdot (\alpha_{i1} \cdot HRTF_{L,r} + \alpha_{i2} \cdot HRTF_{R,r}) \quad (19)$$

10

or

$$H_{PL} = M \cdot H_{1} \quad (20)$$

$$15 \quad H_{PR} = M \cdot H_{2} \quad (21)$$

$$\text{where } H_{1} = (\alpha_{i1} \cdot HRTF_{L,l} + \alpha_{i2} \cdot HRTF_{R,l}) \quad (22)$$

$$\text{and } H_{2} = (\alpha_{i1} \cdot HRTF_{L,r} + \alpha_{i2} \cdot HRTF_{R,r}) \quad (23)$$

20

This shows that the invention needs only two convolutions or HRTFs, since the factors (H_{1} , H_{2}) in formula 20 and 21, respectively, are considered each as one HRTF filter.

25 Thus the transmission will now only require two Head Related Transfer Functions. Compared to the prior art – where four Head Related Transfer Functions were required – the invention will require fewer Head Related Transfer Functions (and correspondingly convolutions) for the same transmission from one (input) sound source, M .

30 However, said second embodiment of mapping only two output channels onto one channel is very simple, the second embodiment may be generalized to mapping of more than two channels onto one (with corresponding α 's) as discussed in:

The patent application WO0207481: Multi-channel stereo converter for deriving a stereo surround and/or audio centre signal, Koninklijke Philips Electronics N.V. Inventor(s): Irwan, Roy; AARTS, Ronaldus, M. Application No. EP0107757, Filed

20010705, A2. Published 20020124, where two channels (L,R) are mapped onto one C, or centre channel, using Principle Component Analysis, and in C. Faller and F. Baumgartner, Binaural cue coding applied to stereo and multi-channel audio compression, Convention paper 5574 (L-6) of the 112th AES Convention Munich, Germany, Audio Eng. Soc., May 5 2002.

Someone skilled in the art may - when applying the invention according the two embodiments - combine and consider these as general-purpose (HRTF) functions blocks with sound inputs and outputs. In other words, said embodiments may be applied to cascade couple sound signals. In other words, instead of H_{PL} and H_{PR} being output sound signals from one function block, they may - by cascading - be input to another function block. 10

Generally said formulas throughout the application may be implemented in a media system, such as a TV, a CD player, a DVD player, a Radio, a display, an amplifier or a VCR. This is shown by means of reference numeral 20 of figure 2. However, it may alternatively or additionally be the case that said formulas are integrated into a circuitry (or 15 software) suitable for the purpose embedded in headphones with sufficient processing power.

Transmission between channels, (input sound signals) CH's and M to other intermediate sound channels and to resulting (output) sound signals or channels are drawn in the figures by lines with arrows. These lines may indicate that transmission may take place by means of circuitry suitable for enabling the communication of sound data, e.g. via a wired 20 or a wireless data link. Examples of such transmission may be various transmitters, e.g. a transmitter including a network interface, a network card, a radio transmitter, a transmitter for other suitable electromagnetic signals, such as an LED for transmitting infrared light, e.g. via an IrDa port, radio-based communications, e.g. via a Bluetooth transceiver, or the like. Further examples of suitable transmitters include a cable modem, a telephone modem, an 25 Integrated Services Digital Network (ISDN) adapter, a Digital Subscriber Line (DSL) adapter, a satellite transceiver, an Ethernet adapter, or the like. Correspondingly, a communications channel may be any suitable wired or wireless data link, for example of a packet-based communications network, such as the Internet or another TCP/IP network, a short-range communications link, such as an infrared link, a Bluetooth connection or another 30 radio-based link.

Further examples of the communications channel include computer networks and wireless telecommunications networks, such as a Cellular Digital Packet Data (CDPD) network, a Global System for Mobile (GSM) network, a Code Division Multiple Access (CDMA) network, a Time Division Multiple Access Network (TDMA), a General Packet

Radio service (GPRS) network, a Third Generation network, such as a UMTS network, or the like.

Fig. 3 shows a method of generating at least one output sound signal from at least one input signal from a second set of input sound signals having a related second set of Head Related Transfer Functions. Said generation may take place in a media system, such as a TV, a CD player, a DVD player, a Radio, a display, an amplifier, a headphone and in a VCR.

In a typical application of the method (or embedded in an apparatus such as said media system), said output sound signal may belong to a first set of output sound signals, e.g. one or more outputs such as H_{PL} or H_{PR} directed to headphones or other speakers. Conversely, said second set of sound signals may be inputs such as CH_1, CH_2, \dots, CH_n and M . However, said (input) sound signals may - in a sound signal cascade chain with function blocks of HRTF - be considered as general purpose sound signals as inputs or outputs depending on whether they enter (as input) or leave (as output) a block of cascade coupled sound signals. In other words, output sound signals from one function block may be input (sound signals) to another function block and vice versa.

Said second set of Head Related Transfer Functions (related to said input sound signals) may - from the discussed embodiments - comprise Head Related Transfer Functions (such as $HRTF_{L,l}, HRTF_{R,l}, HRTF_{L,r}, HRTF_{R,r}, HRTF_{1,L}, HRTF_{2,L}, HRTF_{3,L}, \dots, HRTF_{1,R}, HRTF_{2,R}, \dots$ etc. initially dedicated to transform or transfer said second set of input sound signals.

In step 90, the method in accordance with preferred embodiments of the invention is started. Variables, flags, buffers, etc., keeping track of HRTFs, input and intermediate sound channels, output sound channels, weights, etc, corresponding to the sound signals processed are set to default values. When the method is started a second time, only corrupted variables, flags, buffers, etc, are reset to default values.

In step 100 - continuing the method description - for each signal in the second set of (input) sound signals, a weighted relation may be determined. Said weighted relation may comprise at least one signal from a third set of intermediate sound signals, such as L and R ; CHI_1 and CHI_2 , respectively (according to the two embodiments discussed) with corresponding weight values.

As discussed in the embodiments of the invention, one example - as the first embodiment - may be CH_i (i.e. each of the i input sound signals) = $\alpha_i \cdot L + \beta_i \cdot R$, wherein α_i ,

and β_i are weight values, and L and R each is a signal from said third set of the intermediate sound signals.

In the first embodiment, more input sound signals than (generated) output sound signals are processed by means of fewer HRTFs as compared to the prior art.

5 As further discussed in the embodiments of the invention, another example – as the second embodiment - may be $CHI_1 = \alpha_{i1} \cdot M$ and $CHI_2 = \alpha_{i2} \cdot M$, wherein α_{i1} and α_{i2} each is the weight value, and where CHI_1 and CHI_2 are the corresponding intermediate sound signals for this second embodiment.

10 In the second embodiment – as opposed to the first embodiment - fewer input sound signals, generally (in the example one) than generated output sound signals (in the example two) are processed by means of fewer HRTFs as compared to the prior art.

In step 200, a first (newly generated) set of Head Related Transfer Functions may be determined. Said first set (of Head Related Transfer Functions) may be based on the second set of sound signals, i.e. the input sound signals, the second set of Head Related
15 Transfer Functions (as discussed and used in the prior art) and the newly determined weighted relation(s). In other words, said first new set of Head Related Transfer Functions are generated for the purpose of a subsequent transformation of the intermediate sound signal(s) by means of it in the next step. The determination takes into account the second set of sound signals, i.e. inputs such as sound signals (typical as inputs) such as $CH_1, CH_2 \dots CH_n$
20 and M, and said second set of Head Related Transfer Functions initially dedicated to transform or transfer said second set of input sound signals. Further, the determination takes said weighted relation ($CH_i = \alpha_i \cdot L + \beta_i \cdot R$, etc.) with corresponding intermediate signals (L, R etc) into account corresponding to the formulas used to explain the invention's two
embodiments.

25 In step 300, at least one signal from said third set of intermediate sound signals (L, R, CHI_1, CHI_2) may be transferred by means of at least one HRTF from said first set (of newly generated Head Related Transfer Functions) in order to generate at least one signal (as an output signal) belonging to said first set of output sound signals (H_{PL}, H_{PR}). At this point, newly generated HRTFs, i.e. said first set of Head Related Transfer Functions ($\sum(\alpha_i \cdot$
30 $HRTF_{i,R}), \sum(\beta_i \cdot HRTF_{i,R}), H_1, H_2$, etc) may be used to, actually to transfer and transform (convolve) one or more intermediate sound signals, such as L, R, (first embodiment) or CHI_1 and CHI_2 (second embodiment). As a result, at least one of the output sound signals H_{PL}, H_{PR} is then generated.

It is hereby an advantage by the invention that said generation will – as previously discussed in the embodiments - generally be performed by fewer HRTFs and convolutions than the prior art.

Usually, the method will start all over again as long as the media system is powered. Otherwise, the method may terminate in step 400; however, when the media system is powered again, etc, the method may proceed from step 100.

A computer readable medium may be magnetic tape, optical disc, digital versatile disk (DVD), compact disc (CD record-able or CD write-able), mini-disc, hard disk, floppy disk, smart card, PCMCIA card, etc.

In the claims, any reference signs placed between parentheses shall not be constructed as limiting the claim. The word "comprising" does not exclude the presence of elements or steps other than those listed in a claim. The word "a" or "an" preceding an element does not exclude the presence of a plurality of such elements.

The invention can be implemented by means of hardware comprising several distinct elements, and by means of a suitably programmed computer. In the device claim enumerating several means, several of these means can be embodied by one and the same item of hardware. The mere fact that certain measures are recited in mutually different dependent claims does not indicate that a combination of these measures cannot be used to advantage.

20

CLAIMS:

1. A method of generating, in a media system, at least one output signal from a first set of sound signals from at least one input signal from a second set of sound signals having a related second set of Head Related Transfer Functions, said method comprising the steps of
- 5 • determining, for each signal in the second set of sound signals, a weighted relation comprising at least one signal from a third set of intermediate sound signals and at least one weight value;
- determining a first set of Head Related Transfer Functions based on the second set of sound signals, the second set of Head Related Transfer Functions and the weighted
- 10 relation; and
- transferring at least one signal from the third set of intermediate sound signals by means of at least one HRTF from said first set of Head Related Transfer Functions in order to generate at least one output signal belonging to said first set of sound signals.
- 15 2. A method according to claim 1, characterized in the step of determining for each signal, i in the second set of sound signals determines $CH_i = \alpha_i \cdot L + \beta_i \cdot R$, wherein α_i and β_i each is the weight value, and wherein L and R each is a signal from said third set of intermediate sound signals.
- 20 3. A method according to claim 1, characterized in the step of determining for each signal determines $CHI_1 = \alpha_{i1} \cdot M$ and $CHI_2 = \alpha_{i2} \cdot M$, wherein α_{i1} and α_{i2} each is the weight value, and wherein CHI_1 and CHI_2 each is a signal from said third set of intermediate sound signals.
- 25 4. A method according to any one of claims 1 through 3, characterized in that the media system is a TV, a CD player, a DVD player, a Radio, a display, an amplifier, a headphone or a VCR.

5. A computer system for performing the method according to any one of claims 1 through 4.
6. A computer program product comprising program code means stored on a computer readable medium for performing the method of any one of claims 1 through 4 when the computer program is run on a computer.
7. A media system for generating at least one output signal from a first set of sound signals from at least one input signal from a second set of sound signals having a related second set of Head Related Transfer Functions, said media system comprising:
- means for determining for each signal in the second set of sound signals, a weighted relation comprising at least one signal from a third set of intermediate sound signals and at least one weight value;
 - means for determining a first set of Head Related Transfer Functions based on the second set of sound signals, the second set of Head Related Transfer Functions and the weighted relation; and
 - means for transferring at least one signal from the third set of intermediate sound signals by means of at least one HRTF from said first set of Head Related Transfer Functions in order to generate at least one output signal belonging to said first set of sound signals.

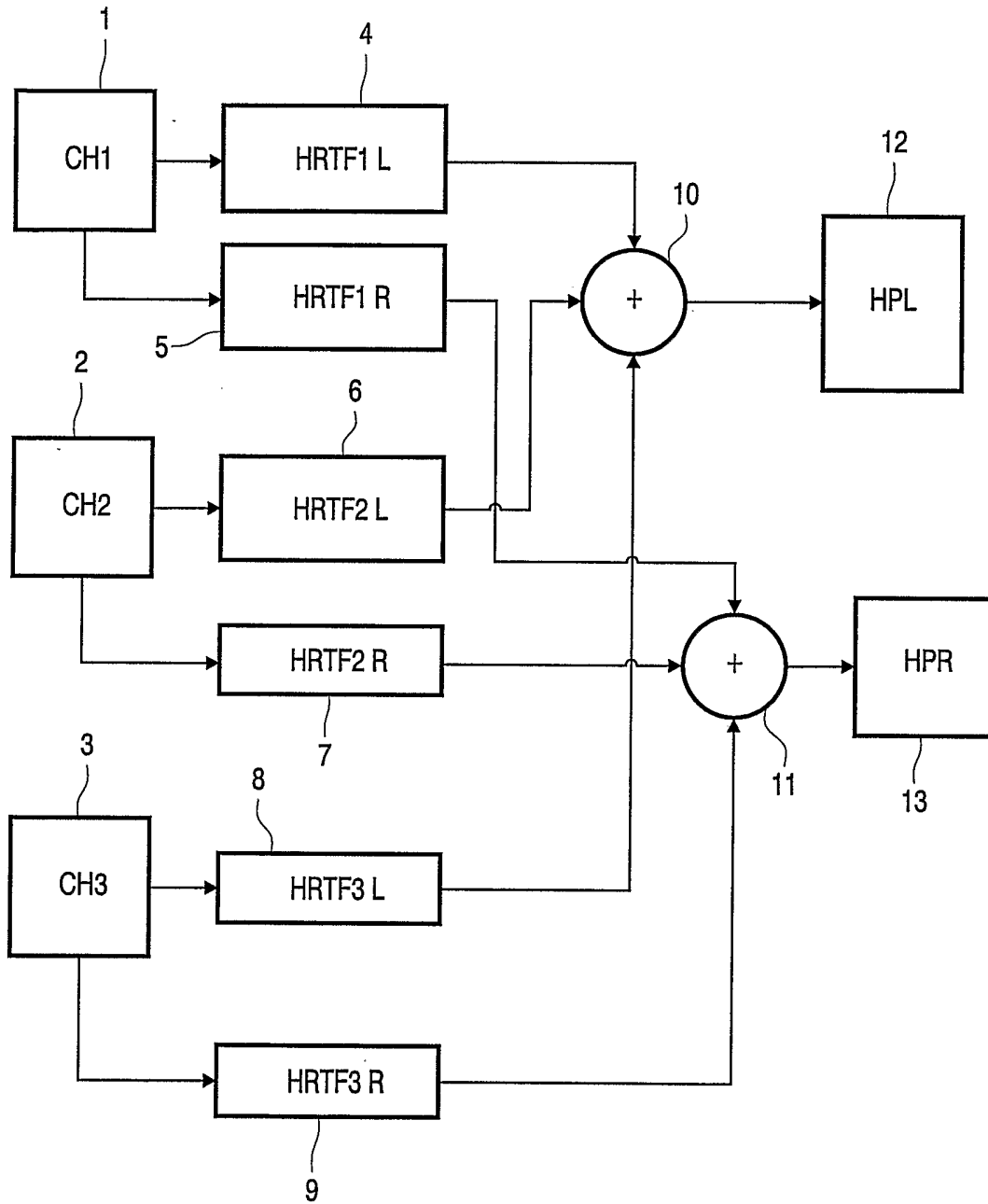


FIG. 1

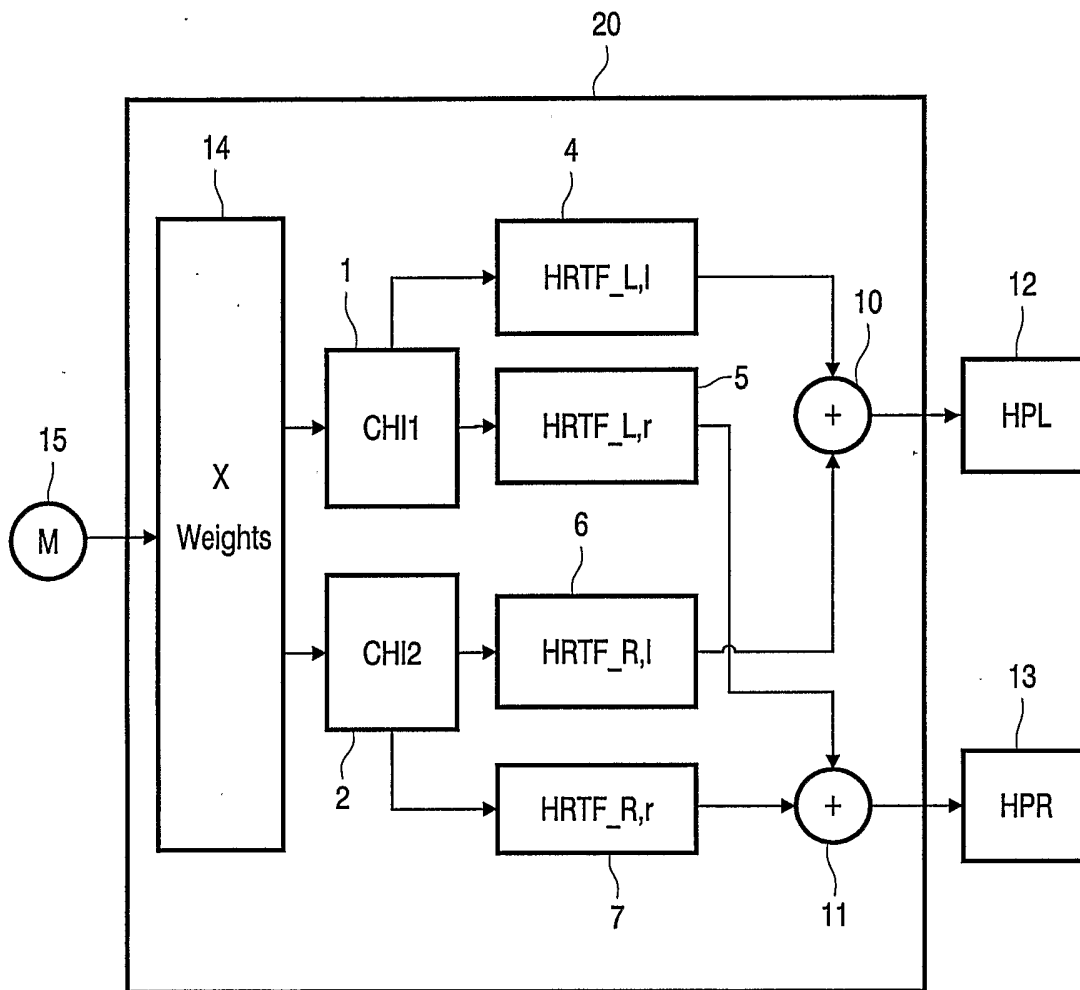


FIG. 2

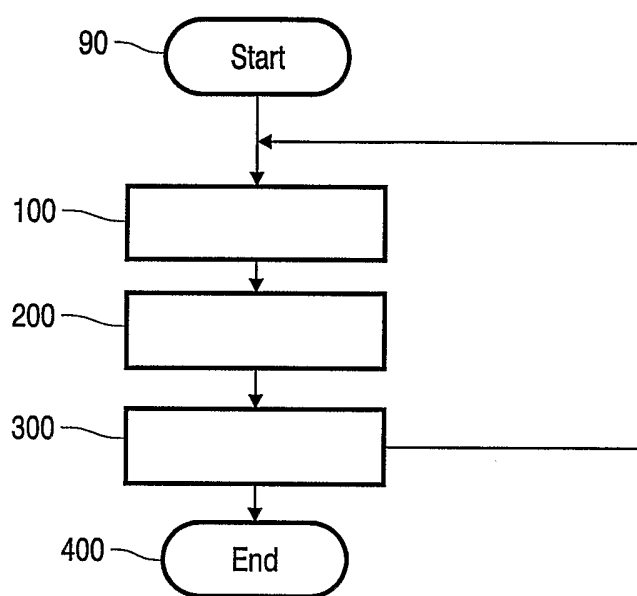


FIG. 3