



(43) International Publication Date
18 December 2014 (18.12.2014)

- (51) International Patent Classification:
A24F 47/00 (2006.01)
- (21) International Application Number:
PCT/IB2014/001924
- (22) International Filing Date:
28 May 2014 (28.05.2014)
- (25) Filing Language: English
- (26) Publication Language: English
- (30) Priority Data:
61/827,998 28 May 2013 (28.05.2013) US
- (71) Applicant: SIS RESOURCES, LTD. [IL/IL]; P.O. Box 674, 99000 Beit Shemesh (IL).
- (72) Inventor: STERN, Joel; Post Office Box 812, 46910 Kfar Shmaryahu (IL).
- (81) Designated States (unless otherwise indicated, for every kind of national protection available): AE, AG, AL, AM, AO, AT, AU, AZ, BA, BB, BG, BH, BN, BR, BW, BY, BZ, CA, CH, CL, CN, CO, CR, CU, CZ, DE, DK, DM, DO, DZ, EC, EE, EG, ES, FI, GB, GD, GE, GH, GM, GT, HN, HR, HU, ID, IL, IN, IR, IS, JP, KE, KG, KN, KP, KR, KZ, LA, LC, LK, LR, LS, LT, LU, LY, MA, MD, ME,

MG, MK, MN, MW, MX, MY, MZ, NA, NG, NI, NO, NZ, OM, PA, PE, PG, PH, PL, PT, QA, RO, RS, RU, RW, SA, SC, SD, SE, SG, SK, SL, SM, ST, SV, SY, TH, TJ, TM, TN, TR, TT, TZ, UA, UG, US, UZ, VC, VN, ZA, ZM, ZW.

- (84) Designated States (unless otherwise indicated, for every kind of regional protection available): ARIPO (BW, GH, GM, KE, LR, LS, MW, MZ, NA, RW, SD, SL, SZ, TZ, UG, ZM, ZW), Eurasian (AM, AZ, BY, KG, KZ, RU, TJ, TM), European (AL, AT, BE, BG, CH, CY, CZ, DE, DK, EE, ES, FI, FR, GB, GR, HR, HU, IE, IS, IT, LT, LU, LV, MC, MK, MT, NL, NO, PL, PT, RO, RS, SE, SI, SK, SM, TR), OAPI (BF, BJ, CF, CG, CI, CM, GA, GN, GQ, GW, KM, ML, MR, NE, SN, TD, TG).

Published:

- with international search report (Art. 21(3))
- before the expiration of the time limit for amending the claims and to be republished in the event of receipt of amendments (Rule 48.2(h))

- (88) Date of publication of the international search report:
5 February 2015

(54) Title: ONE-WAY VALVE FOR CARTOMIZER SECTION OF ELECTRONIC CIGARETTES

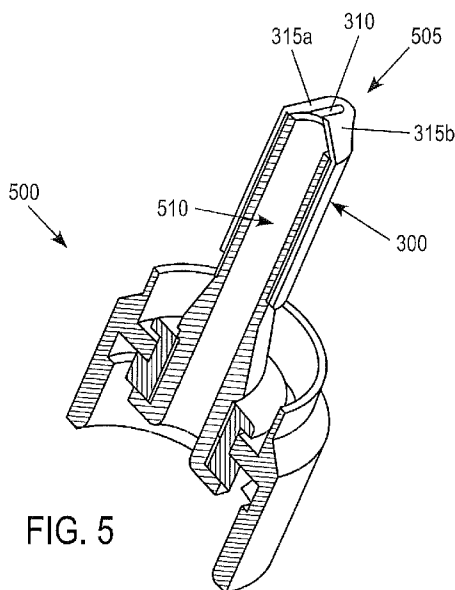


FIG. 5

(57) Abstract: A cartomizer section of an electronic cigarette can be connected to a battery section of the electronic cigarette. The cartomizer section comprises a liquid reservoir operable to store liquid material and a one-way valve. The one-way valve is operable to seal an end of the cartomizer section which is in fluid communication with the liquid reservoir. The one-way valve is configured to allow one directional air flow towards a user's mouth during a draw on the electronic cigarette so as to prevent back flow of vapor produced during operation of the electronic cigarette towards the battery section.



INTERNATIONAL SEARCH REPORT

International application No

PCT/IB2014/001924

A. CLASSIFICATION OF SUBJECT MATTER
 INV. A24F47/00
 ADD.

According to International Patent Classification (IPC) or to both national classification and IPC

B. FIELDS SEARCHED

Minimum documentation searched (classification system followed by classification symbols)
 A24F

Documentation searched other than minimum documentation to the extent that such documents are included in the fields searched

Electronic data base consulted during the international search (name of data base and, where practicable, search terms used)

EPO-Internal, WPI Data

C. DOCUMENTS CONSIDERED TO BE RELEVANT

Category*	Citation of document, with indication, where appropriate, of the relevant passages	Relevant to claim No.
X	WO 2013/034460 A1 (BRITISH AMERICAN TOBACCO CO [GB]; EGOYANTS PETR ALEXANDROVICH [RU]; VO) 14 March 2013 (2013-03-14)	1,7-9, 15-20
Y	page 1, lines 4-19 page 22, line 7 - page 23, line 2 figure 18	2-6, 10-14
Y	----- EP 1 736 065 A1 (HON LIK [CN] BEST PARTNERS WORLDWIDE LTD [VG]) 27 December 2006 (2006-12-27) paragraphs [0008], [0021], [0022]; claims 1,6,8; figures 1,5,10 ----- -/--	2-5, 10-13



Further documents are listed in the continuation of Box C.



See patent family annex.

* Special categories of cited documents :

"A" document defining the general state of the art which is not considered to be of particular relevance

"E" earlier application or patent but published on or after the international filing date

"L" document which may throw doubts on priority claim(s) or which is cited to establish the publication date of another citation or other special reason (as specified)

"O" document referring to an oral disclosure, use, exhibition or other means

"P" document published prior to the international filing date but later than the priority date claimed

"T" later document published after the international filing date or priority date and not in conflict with the application but cited to understand the principle or theory underlying the invention

"X" document of particular relevance; the claimed invention cannot be considered novel or cannot be considered to involve an inventive step when the document is taken alone

"Y" document of particular relevance; the claimed invention cannot be considered to involve an inventive step when the document is combined with one or more other such documents, such combination being obvious to a person skilled in the art

"&" document member of the same patent family

Date of the actual completion of the international search

5 December 2014

Date of mailing of the international search report

15/12/2014

Name and mailing address of the ISA/

European Patent Office, P.B. 5818 Patentlaan 2
 NL - 2280 HV Rijswijk
 Tel. (+31-70) 340-2040,
 Fax: (+31-70) 340-3016

Authorized officer

Kock, Søren

INTERNATIONAL SEARCH REPORT

International application No
PCT/IB2014/001924

C(Continuation). DOCUMENTS CONSIDERED TO BE RELEVANT		
Category*	Citation of document, with indication, where appropriate, of the relevant passages	Relevant to claim No.
Y	WO 2012/142293 A2 (LEVITZ ROBERT [US]; GAVRIELOV SHMUEL [US]) 18 October 2012 (2012-10-18) cited in the application	6,14
A	paragraphs [0044] - [0045]; figures 1,16,18 -----	1-5, 7-13, 15-20

INTERNATIONAL SEARCH REPORT

Information on patent family members

International application No

PCT/IB2014/001924

Patent document cited in search report	Publication date	Patent family member(s)	Publication date
WO 2013034460	A1	14-03-2013	AR 088437 A1 11-06-2014
			AU 2012306505 A1 06-03-2014
			CA 2845754 A1 14-03-2013
			CN 103763954 A 30-04-2014
			EP 2753203 A1 16-07-2014
			JP 2014525251 A 29-09-2014
			KR 20140070588 A 10-06-2014
			US 2014338680 A1 20-11-2014
			WO 2013034460 A1 14-03-2013
EP 1736065	A1	27-12-2006	AT 432623 T 15-06-2009
			AU 2005232354 A1 27-10-2005
			BR PI0506780 A 22-05-2007
			CA 2562581 A1 27-10-2005
			CN 1942114 A 04-04-2007
			CY 1109165 T1 02-07-2014
			DK 1736065 T3 24-08-2009
			EA 200601250 A1 29-12-2006
			EP 1736065 A1 27-12-2006
			ES 2326747 T3 19-10-2009
			HK 1095999 A1 16-10-2009
			IL 176859 A 16-06-2010
			JP 4739322 B2 03-08-2011
			JP 2007532118 A 15-11-2007
			KR 20070022640 A 27-02-2007
			MY 138603 A 31-07-2009
			PT 1736065 E 17-06-2009
			SI 1736065 T1 31-08-2009
			UA 90256 C2 26-04-2010
			US 2007267031 A1 22-11-2007
			US 2011168194 A1 14-07-2011
			US 2012285476 A1 15-11-2012
			US 2013213420 A1 22-08-2013
WO 2005099494 A1 27-10-2005			
WO 2012142293	A2	18-10-2012	CA 2833132 A1 18-10-2012
			CN 103687503 A 26-03-2014
			EA 201391511 A1 30-06-2014
			EP 2696711 A2 19-02-2014
			EP 2805636 A2 26-11-2014
			JP 2014516624 A 17-07-2014
			KR 20140047601 A 22-04-2014
			US 2014034071 A1 06-02-2014
			WO 2012142293 A2 18-10-2012