



US00D738449S

(12) **United States Design Patent**
Schweigert

(10) **Patent No.:** **US D738,449 S**

(45) **Date of Patent:** **** Sep. 8, 2015**

(54) **GOLF CLUB HEAD**

(71) Applicant: **PARSONS XTREME GOLF, LLC,**
Scottsdale, AZ (US)

(72) Inventor: **Bradley D. Schweigert,** Anthem, AZ
(US)

(73) Assignee: **PARSONS XTREME GOLF, LLC,**
Scottsdale, AZ (US)

(**) Term: **14 Years**

(21) Appl. No.: **29/512,516**

(22) Filed: **Dec. 19, 2014**

Related U.S. Application Data

(62) Division of application No. 29/506,381, filed on Oct.
15, 2014, now Pat. No. Des. 725,208.

(51) **LOC (10) Cl.** **21-02**

(52) **U.S. Cl.**

USPC **D21/759**

(58) **Field of Classification Search**

USPC D21/733-753, 759

CPC A63B 53/00-53/065; A63B
2053/002-2053/0491

See application file for complete search history.

(56) **References Cited**

U.S. PATENT DOCUMENTS

922,444	A	*	5/1909	Youds	473/342
RE19,178	E	*	5/1934	Spiker	473/251
4,043,562	A	*	8/1977	Shillington	473/254
4,754,977	A	*	7/1988	Sahm	473/337
4,869,507	A	*	9/1989	Sahm	473/337
D335,317	S	*	5/1993	Shearer	D21/740
D335,692	S	*	5/1993	Antonious	D21/736
D336,757	S	*	6/1993	Antonious	D21/742

D350,582	S	*	9/1994	Miansian et al.	D21/742
5,429,366	A	*	7/1995	McCabe	473/244
D363,101	S	*	10/1995	Sturm	D21/746
D365,864	S	*	1/1996	Sturm	D21/746
5,489,097	A		2/1996	Simmons		
D368,751	S		4/1996	Rife		
D378,688	S		4/1997	Cameron		
D385,609	S	*	10/1997	Cameron	D21/753
5,683,307	A		11/1997	Rife		

(Continued)

OTHER PUBLICATIONS

U.S. Appl. No. 29/501,012, Parsons et al., "Golf Club Head," filed
Aug. 29, 2014.

(Continued)

Primary Examiner — Mitchell Siegel

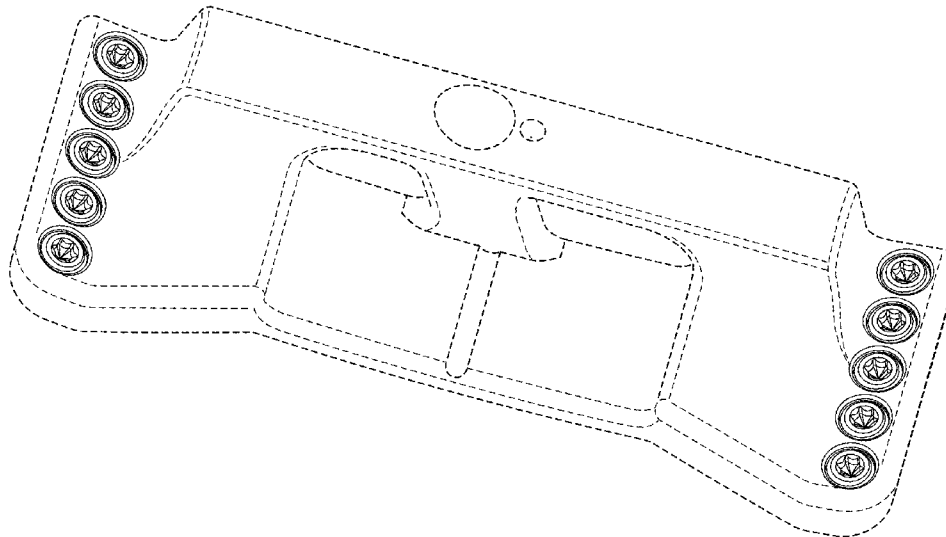
(57) **CLAIM**

The ornamental design for a golf club head, as shown and
described.

DESCRIPTION

FIG. 1 is a top perspective view of a golf club head;
 FIG. 2 is a bottom perspective view of the golf club head of
 FIG. 1;
 FIG. 3 is a front elevational view of the golf club head of FIG.
 1;
 FIG. 4 is a rear elevational view of the golf club head of FIG.
 1;
 FIG. 5 is a top view of the golf club head of FIG. 1;
 FIG. 6 is a bottom view of the golf club head of FIG. 1;
 FIG. 7 is a left side view of the golf club head of FIG. 1; and,
 FIG. 8 is a right side view of the golf club head of FIG. 1.
 The broken lines connecting the solid lines represent the
 bounds of the claim. The remaining broken lines illustrate the
 environment. None of the broken lines forms part of the
 claimed design.

1 Claim, 7 Drawing Sheets



(56)

References Cited

U.S. PATENT DOCUMENTS

D389,207	S	*	1/1998	Cameron	D21/742	
D398,685	S		9/1998	Masuda			
D399,911	S		10/1998	Nicolette et al.			
5,839,974	A	*	11/1998	McAllister	473/337	
D405,836	S		2/1999	Nicolette et al.			
D409,701	S	*	5/1999	Ashcraft et al.	D21/743	
5,924,938	A	*	7/1999	Hines	473/307	
D422,655	S	*	4/2000	Hicks	D21/736	
D426,276	S	*	6/2000	Besnard et al.	D21/747	
D431,854	S	*	10/2000	Cameron	D21/759	
D432,192	S	*	10/2000	Hicks	D21/736	
D436,151	S		1/2001	Nicolette et al.			
D437,374	S	*	2/2001	Cameron	D21/759	
D441,820	S		5/2001	Nicolette et al.			
D443,668	S		6/2001	Nicolette et al.			
D443,905	S		6/2001	Nicolette et al.			
D444,833	S		7/2001	Wells et al.			
D449,664	S		10/2001	Beebe et al.			
D449,865	S	*	10/2001	Fife et al.	D21/736	
D450,799	S		11/2001	Nicolette et al.			
D451,973	S		12/2001	Wells et al.			
6,348,014	B1	*	2/2002	Chiu	473/337	
6,354,959	B1		3/2002	Nicolette et al.			
D472,949	S	*	4/2003	Serrano	D21/736	
D474,821	S		5/2003	Wells et al.			
D483,086	S		12/2003	Schweigert et al.			
D486,872	S		2/2004	Schweigert et al.			
D498,276	S		11/2004	Schweigert et al.			
6,902,496	B2		6/2005	Solheim et al.			
D512,116	S	*	11/2005	Miraflor et al.	D21/759	
6,988,956	B2		1/2006	Cover et al.			
D520,088	S	*	5/2006	Parr	D21/744	
D531,242	S		10/2006	Adams			
D532,067	S		11/2006	Soracco et al.			
7,153,220	B2		12/2006	Lo			
D534,595	S	*	1/2007	Hasebe	D21/747	
7,156,752	B1		1/2007	Bennett			
D536,401	S	*	2/2007	Kawami	D21/759	
D536,403	S	*	2/2007	Kawami	D21/759	
D538,371	S	*	3/2007	Kawami	D21/759	
7,204,765	B2		4/2007	Cover et al.			
D542,869	S		5/2007	Adams			
D543,598	S		5/2007	Kuan et al.			
D543,601	S	*	5/2007	Kawami	D21/759	
D555,219	S	*	11/2007	Lin	D21/759	
D556,277	S	*	11/2007	Broom	D21/743	
D561,854	S		2/2008	Morris			
7,331,876	B2		2/2008	Klein			
7,351,162	B2		4/2008	Soracco et al.			
D569,461	S		5/2008	Morris			
D569,930	S	*	5/2008	Nehrbas	D21/744	
7,396,289	B2		7/2008	Soracco et al.			
D577,085	S		9/2008	Nicolette et al.			
D577,086	S		9/2008	Nicolette et al.			
D579,506	S		10/2008	Nicolette et al.			
D579,995	S		11/2008	Nicolette et al.			
D582,497	S		12/2008	Rollinson			
7,473,189	B2	*	1/2009	Schweigert et al.	473/341	
7,491,131	B2		2/2009	Vinton			
D599,425	S		9/2009	Laub			
D600,763	S	*	9/2009	Cameron	D21/759	
7,744,485	B2		6/2010	Jones et al.			
D620,993	S		8/2010	Laub			
D623,709	S	*	9/2010	Serrano et al.	D21/736	
D631,925	S	*	2/2011	Broom	D21/743	
7,887,432	B2		2/2011	Jones et al.			
7,909,707	B2		3/2011	Klein			
7,918,745	B2		4/2011	Morris et al.			
D638,891	S		5/2011	Nicolette et al.			
D642,643	S		8/2011	Nicolette et al.			
D643,485	S		8/2011	Nicolette et al.			
D645,104	S		9/2011	Nicolette et al.			
8,096,039	B2		1/2012	Soracco et al.			
D653,718	S		2/2012	Stokke et al.			
D661,753	S	*	6/2012	Cameron et al.	D21/759	
D666,260	S		8/2012	Cynn			
D688,339	S		8/2013	Hilton et al.			
D688,341	S		8/2013	Rollinson			
D691,226	S		10/2013	Hilton et al.			
D699,308	S		2/2014	Rollinson			
D704,782	S		5/2014	Rollinson			
8,721,472	B2		5/2014	Kuan et al.			
8,790,193	B2		7/2014	Serrano et al.			
D711,483	S	*	8/2014	Wong	D21/743	
D722,352	S	*	2/2015	Nicolette et al.	D21/747	
D723,120	S	*	2/2015	Nicolette	D21/747	
D725,208	S	*	3/2015	Schweigert	D21/743	
D726,265	S	*	4/2015	Nicolette	D21/747	
D726,846	S	*	4/2015	Schweigert	D21/743	
2007/0142122	A1		6/2007	Bonneau			
2007/0238548	A1		10/2007	Johnson			
2008/0176672	A1		7/2008	Roach et al.			
2011/0165959	A1		7/2011	Klein			
2013/0165256	A1		6/2013	Stevenson			
2013/0210537	A1		8/2013	Ainscough et al.			

OTHER PUBLICATIONS

U.S. Appl. No. 29/503,812, Schweigert, "Golf Club Head," filed Sep. 30, 2014.
U.S. Appl. No. 29/508,213, Schweigert, "Golf Club Head," filed Nov. 4, 2014.
U.S. Appl. No. 29/509,762, Parsons et al., "Golf Club Head," filed Nov. 20, 2014.
U.S. Appl. No. 29/511,483, Parsons et al., "Golf Club Head," filed Dec. 11, 2014.
U.S. Appl. No. 29/512,225, Schweigert, "Golf Club Head," filed Dec. 17, 2014.
U.S. Appl. No. 29/512,512, Schweigert, "Golf Club Head," filed Dec. 19, 2014.

* cited by examiner

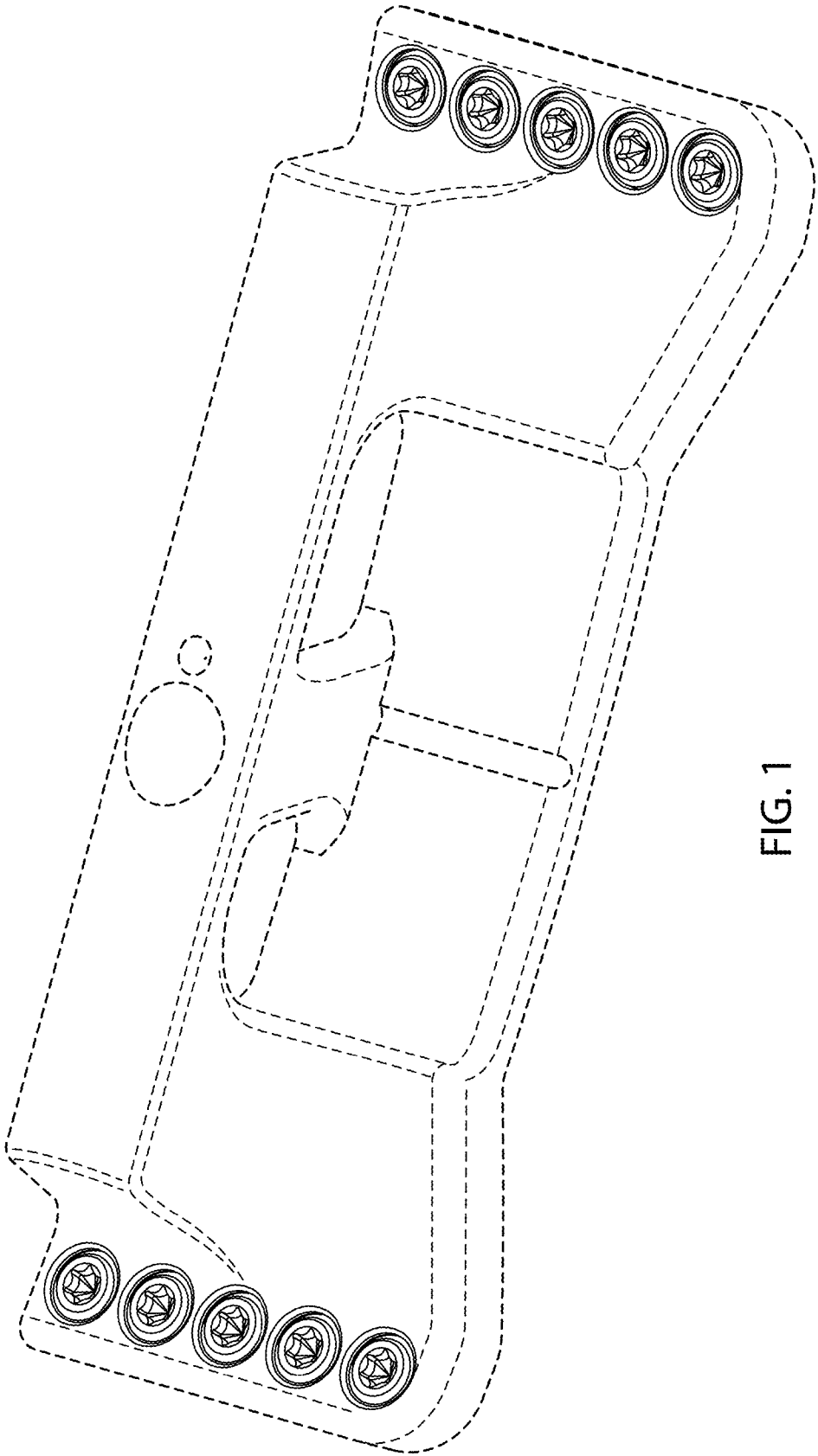


FIG. 1

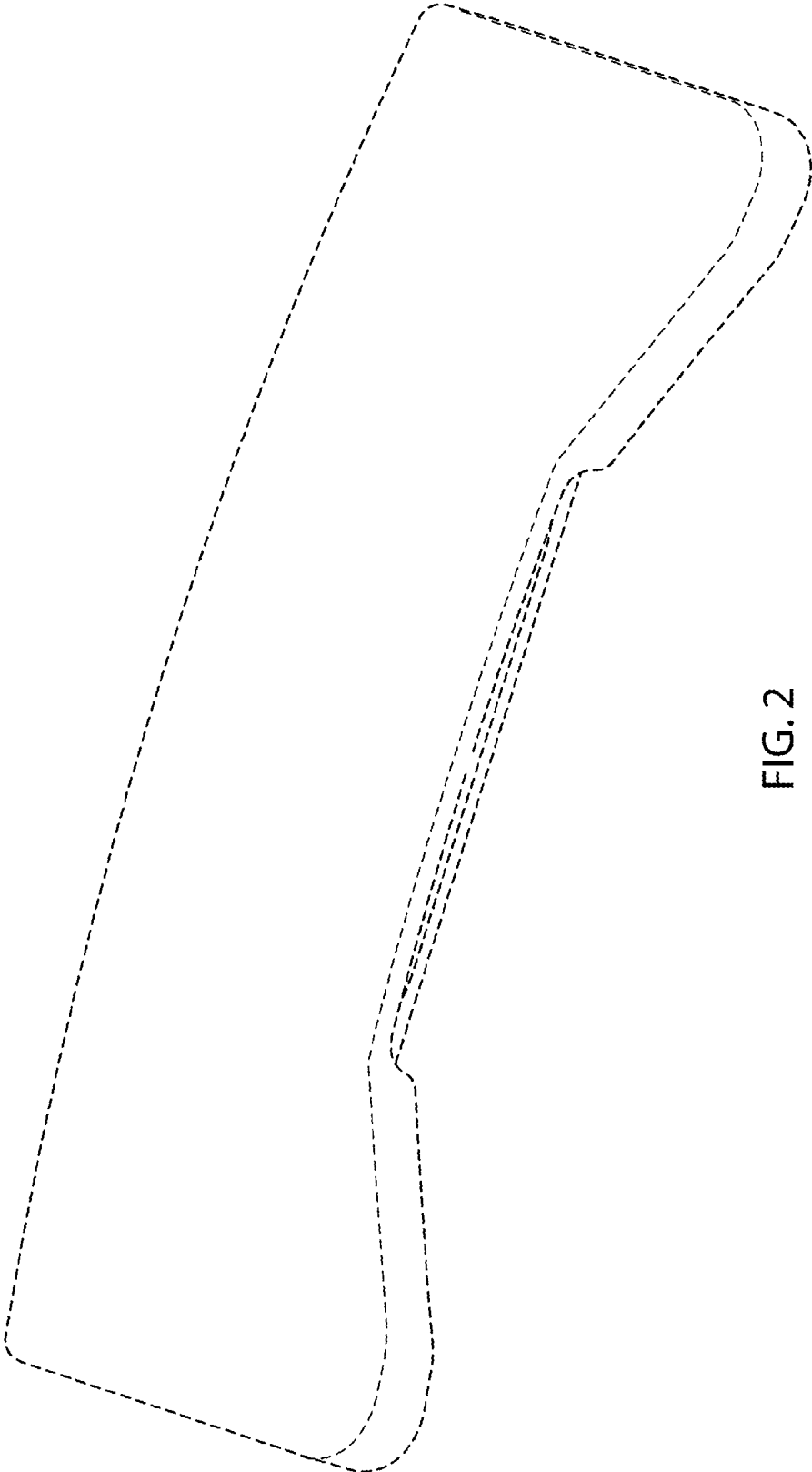


FIG. 2

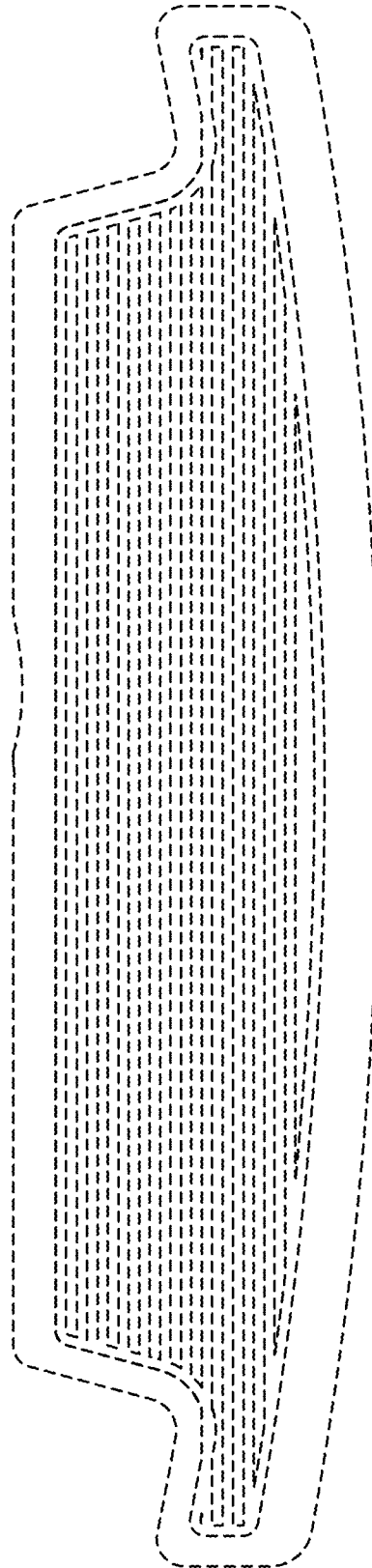


FIG. 3

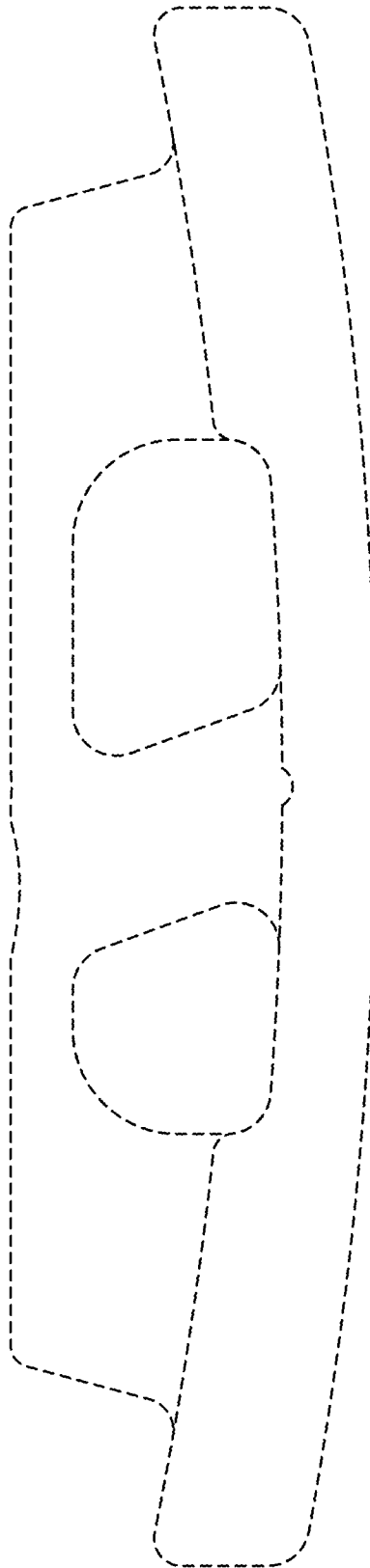


FIG. 4

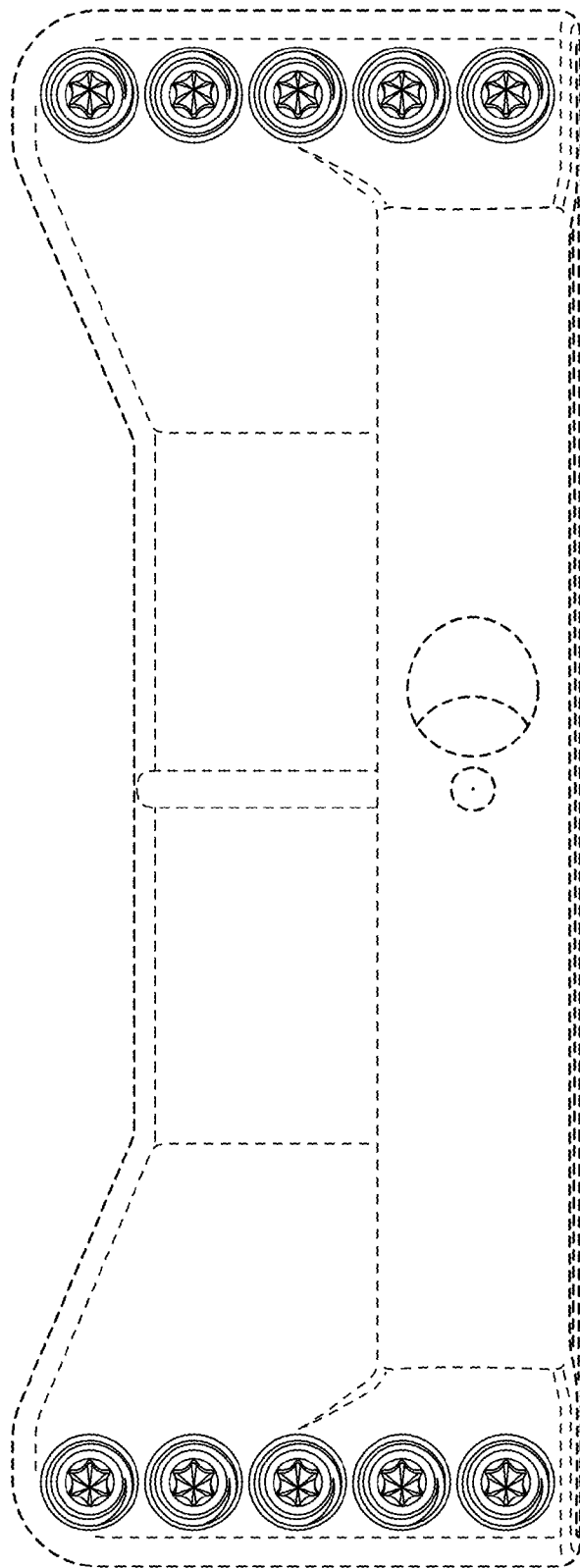


FIG. 5

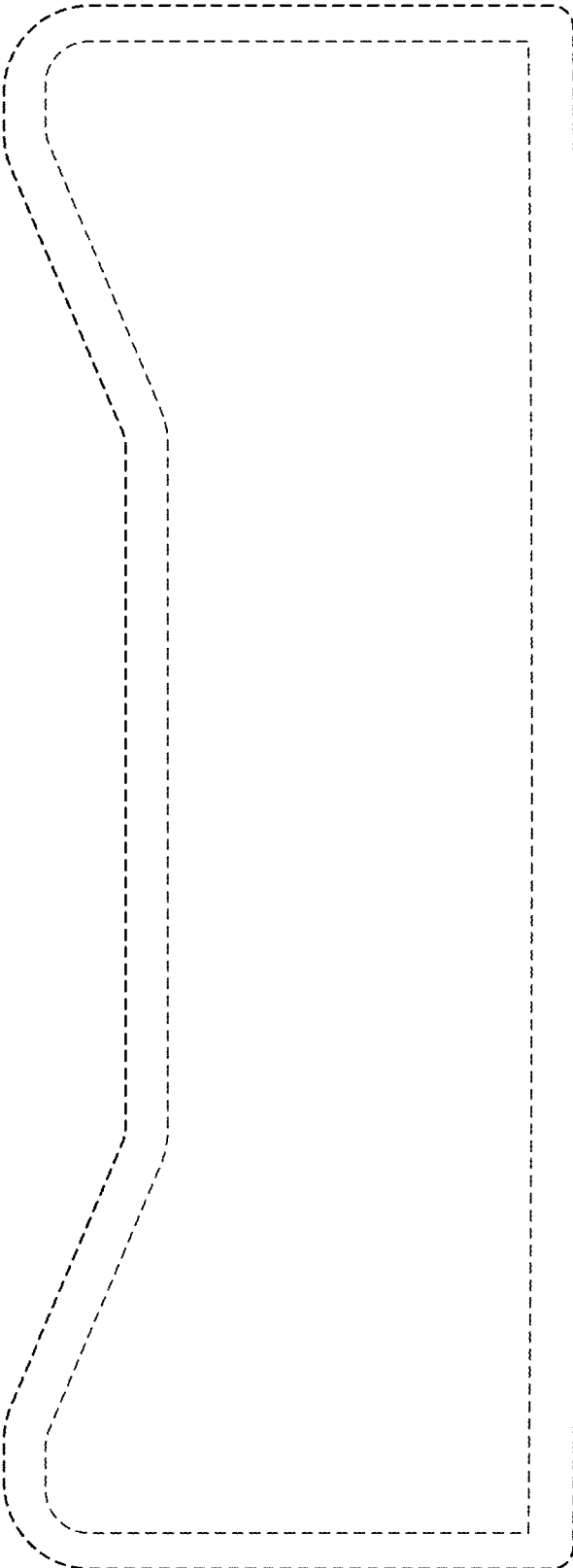


FIG. 6

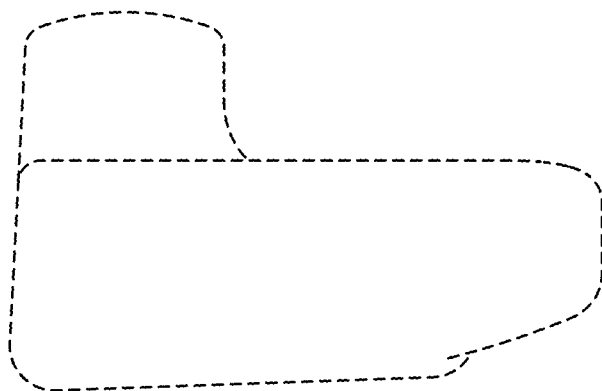


FIG. 7

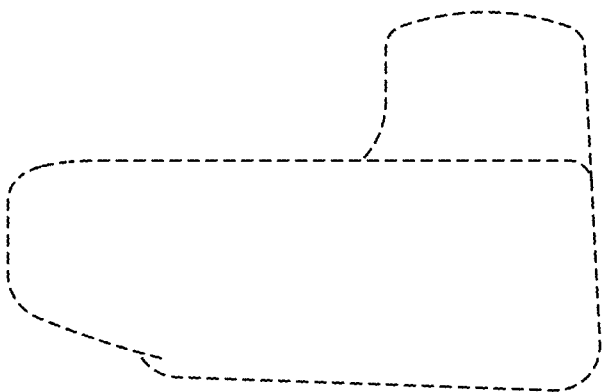


FIG. 8