

(19) World Intellectual Property Organization
International Bureau



(43) International Publication Date
19 September 2002 (19.09.2002)

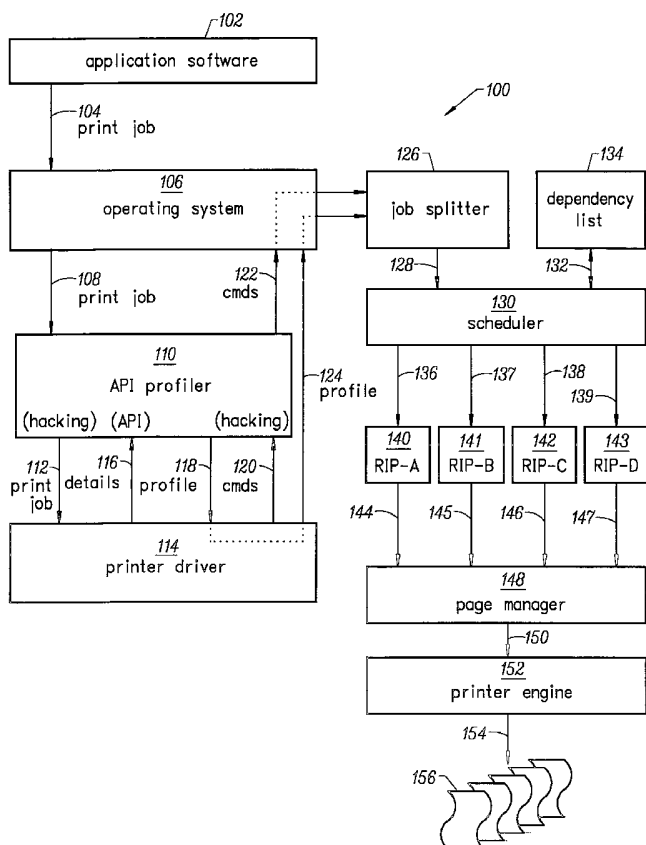
PCT

(10) International Publication Number
WO 02/073390 A3

- (51) International Patent Classification⁷: **G06F 3/12**
 - (21) International Application Number: PCT/US02/06626
 - (22) International Filing Date: 5 March 2002 (05.03.2002)
 - (25) Filing Language: English
 - (26) Publication Language: English
 - (30) Priority Data:
09/803,395 8 March 2001 (08.03.2001) US
 - (71) Applicant: **ELECTRONICS FOR IMAGING, INC.**
[US/US]; 303 Velocity Way, Foster City, CA 94404 (US).
 - (72) Inventor: **SUGANO, Takashi**; 10227 Will Court, Cupertino, CA 95014 (US).
 - (74) Agent: **TROSINO, James**; 268 Bush Street, #3434, San Francisco, CA 94104 (US).
 - (81) Designated States (*national*): AE, AG, AL, AM, AT, AU, AZ, BA, BB, BG, BR, BY, BZ, CA, CH, CN, CO, CR, CU, CZ, DE, DK, DM, DZ, EC, EE, ES, FI, GB, GD, GE, GH, GM, HR, HU, ID, IL, IN, IS, JP, KE, KG, KP, KR, KZ, LC, LK, LR, LS, LT, LU, LV, MA, MD, MG, MK, MN, MW, MX, MZ, NO, NZ, OM, PH, PL, PT, RO, RU, SD, SE, SG, SI, SK, SL, TJ, TM, TN, TR, TT, TZ, UA, UG, UZ, VN, YU, ZA, ZM, ZW.
 - (84) Designated States (*regional*): ARIPO patent (GH, GM, KE, LS, MW, MZ, SD, SL, SZ, TZ, UG, ZM, ZW), Eurasian patent (AM, AZ, BY, KG, KZ, MD, RU, TJ, TM), European patent (AT, BE, CH, CY, DE, DK, ES, FI, FR, GB, GR, IE, IT, LU, MC, NL, PT, SE, TR), OAPI patent (BF, BJ, CF, CG, CI, CM, GA, GN, GQ, GW, ML, MR, NE, SN, TD, TG).
- Published:**
— with international search report

[Continued on next page]

(54) Title: EFFICIENTLY SCHEDULED MULTIPLE RASTER IMAGE PROCESSORS



(57) Abstract: A method of printing multi-page documents with multiple raster-image processors (RIP's), the method comprising the steps of profiling the command stream complexities and resource dependencies of a series of pages to be printed. Then, associating a profile of the command stream complexities and resource dependencies of a series of pages to be printed with a printing command stream. And dispatching individual raster-image processor jobs for each of the pages to be printed to particular RIP's according to the profile. The step of dispatching is preferably such that the complexity estimates and the dependency list are used to minimize idle times for the RIP's. A further step of collecting is done in which the individual outputs of each raster-image processor are recombined into a page-ordered sequence for a print engine.

WO 02/073390 A3



(88) Date of publication of the international search report:

16 October 2003

For two-letter codes and other abbreviations, refer to the "Guidance Notes on Codes and Abbreviations" appearing at the beginning of each regular issue of the PCT Gazette.

INTERNATIONAL SEARCH REPORT

Internatic application No

PCT/US 02/06626

A. CLASSIFICATION OF SUBJECT MATTER

IPC 7 G06F3/12

According to International Patent Classification (IPC) or to both national classification and IPC

B. FIELDS SEARCHED

Minimum documentation searched (classification system followed by classification symbols)

IPC 7 G06F G06K

Documentation searched other than minimum documentation to the extent that such documents are included in the fields searched

Electronic data base consulted during the international search (name of data base and, where practical, search terms used)

EPO-Internal, PAJ, WPI Data

C. DOCUMENTS CONSIDERED TO BE RELEVANT

Category °	Citation of document, with indication, where appropriate, of the relevant passages	Relevant to claim No.
X	EP 0 578 258 A (MICROSOFT CORP) 12 January 1994 (1994-01-12) figure 2 column 16, line 21 -column 19, line 38 ---	1,3,6,7
A	US 5 883 722 A (BAEUMLER ULRICH) 16 March 1999 (1999-03-16) the whole document -----	1,3,6,7



Further documents are listed in the continuation of box C.



Patent family members are listed in annex.

° Special categories of cited documents :

- *A* document defining the general state of the art which is not considered to be of particular relevance
- *E* earlier document but published on or after the international filing date
- *L* document which may throw doubts on priority claim(s) or which is cited to establish the publication date of another citation or other special reason (as specified)
- *O* document referring to an oral disclosure, use, exhibition or other means
- *P* document published prior to the international filing date but later than the priority date claimed

- *T* later document published after the international filing date or priority date and not in conflict with the application but cited to understand the principle or theory underlying the invention
- *X* document of particular relevance; the claimed invention cannot be considered novel or cannot be considered to involve an inventive step when the document is taken alone
- *Y* document of particular relevance; the claimed invention cannot be considered to involve an inventive step when the document is combined with one or more other such documents, such combination being obvious to a person skilled in the art.
- *&* document member of the same patent family

Date of the actual completion of the international search

5 February 2003

Date of mailing of the international search report

13/02/2003

Name and mailing address of the ISA

European Patent Office, P.B. 5818 Patentlaan 2
NL - 2280 HV Rijswijk
Tel. (+31-70) 340-2040, Tx. 31 651 epo nl,
Fax: (+31-70) 340-3016

Authorized officer

Weiss, P

INTERNATIONAL SEARCH REPORT

Internat Application No

PCT/US 02/06626

Patent document cited in search report		Publication date	Patent family member(s)	Publication date
EP 0578258	A	12-01-1994	US 5469533 A	21-11-1995
			AT 185432 T	15-10-1999
			AT 193131 T	15-06-2000
			AT 171286 T	15-10-1998
			CA 2100175 A1	11-01-1994
			CA 2100176 A1	11-01-1994
			CA 2100178 A1	11-01-1994
			CA 2100239 A1	11-01-1994
			DE 69321045 D1	22-10-1998
			DE 69321045 T2	18-02-1999
			DE 69326640 D1	11-11-1999
			DE 69326640 T2	27-04-2000
			DE 69328650 D1	21-06-2000
			DE 69328650 T2	31-08-2000
			EP 0578257 A1	12-01-1994
			EP 0578258 A1	12-01-1994
			EP 0578262 A1	12-01-1994
			EP 0578263 A1	12-01-1994
			JP 7098636 A	11-04-1995
			JP 6266514 A	22-09-1994
			JP 6202823 A	22-07-1994
			JP 6202972 A	22-07-1994
			US 5467435 A	14-11-1995
US 5471563 A	28-11-1995			
US 5471564 A	28-11-1995			
US 5883722	A	16-03-1999	WO 9609611 A1	28-03-1996
			DE 59504017 D1	26-11-1998
			EP 0782739 A1	09-07-1997