



US00D782024S

(12) **United States Design Patent**
Murphy

(10) **Patent No.:** **US D782,024 S**

(45) **Date of Patent:** **** Mar. 21, 2017**

(54) **VENT CLIP**

(71) Applicant: **Griffin Technology, LLC**, Irvine, CA
(US)

(72) Inventor: **Jennifer Ann Murphy**, Nashville, TN
(US)

(73) Assignee: **Griffin Technology, LLC**, Irvine, CA
(US)

(**) Term: **14 Years**

(21) Appl. No.: **29/514,417**

(22) Filed: **Jan. 13, 2015**

(51) **LOC (10) Cl.** **23-04**

(52) **U.S. Cl.**
USPC **D23/393**

(58) **Field of Classification Search**
USPC D23/403, 405, 415, 421, 335, 336, 339,
D23/344, 213, 233, 321, 386, 392, 393;
D24/110.5, 110.6, 129
CPC F16B 3/04; F16H 2025/2071; F16H 59/02;
A47J 36/34; F23D 5/00; F23D 14/02;
F23D 14/04; F23D 14/06; F23D 14/065;
F23D 14/46; F24C 3/08; F24C 3/085;
F24C 3/103; F24C 15/101; F24C 15/14;
F24H 1/12; F24H 1/124
See application file for complete search history.

(56) **References Cited**

U.S. PATENT DOCUMENTS

D312,499 S * 11/1990 Karakawa 138/110
D337,637 S * 7/1993 Tucker D24/108
D347,687 S * 6/1994 Katzer D24/129
D387,230 S * 12/1997 von Buelow D23/223
D403,754 S * 1/1999 Gottwald D23/304
D413,166 S * 8/1999 Snow D24/110.1

D415,247 S * 10/1999 Haverstraw D23/213
D424,506 S * 5/2000 Kondo D12/220
6,179,229 B1 * 1/2001 Desmond A01K 13/001
239/211

(Continued)

OTHER PUBLICATIONS

Car Vent Air Freshener Clips, image post date 1995, site visited Oct. 26, 2016, (online), <<http://www.ebay.com/itm/Car-Vent-Air-Freshener-Clips-/131956869786?hash=item1eb93e0a9e%3Ag%3AFaAAAOSwRgJXjloa>>.*

(Continued)

Primary Examiner — Kevin Rudzinski
Assistant Examiner — Sean D Lough
(74) *Attorney, Agent, or Firm* — Manatt, Phelps & Phillips, LLP

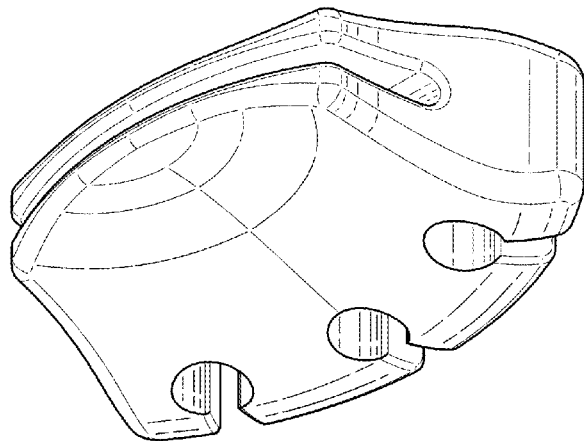
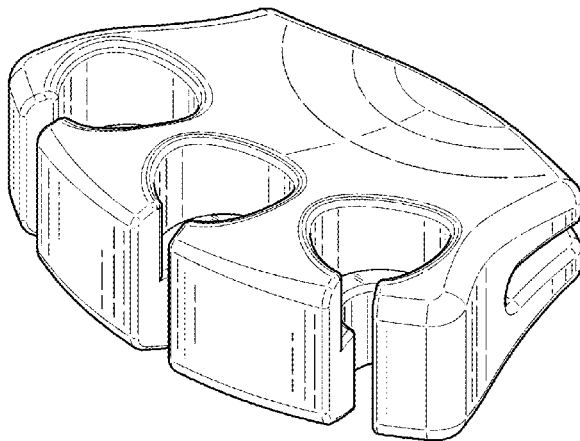
(57) **CLAIM**

The ornamental design for a vent clip, as shown and described.

DESCRIPTION

FIG. 1 is a front perspective view of the new design for a vent clip;
FIG. 2 is a back perspective view of the new design for a vent clip;
FIG. 3 is a top plan view of the vent clip;
FIG. 4 is a left elevation view of the vent clip;
FIG. 5 is a front elevation view of the vent clip;
FIG. 6 is a bottom plan view of the vent clip;
FIG. 7 is a right elevation view of the vent clip; and,
FIG. 8 is a back elevation view of the vent clip.
The dashed line surface shading illustrates surface contours of the claimed design and said lines form no part of the claimed design.

1 Claim, 3 Drawing Sheets



(56)

References Cited

U.S. PATENT DOCUMENTS

D443,347	S	*	6/2001	Gottwald	D23/304	
D457,942	S	*	5/2002	Bouras	D23/241	
D465,843	S	*	11/2002	Guala	D24/129	
D474,529	S	*	5/2003	Sodemann	D23/223	
D493,864	S	*	8/2004	Haug	D23/213	
D503,772	S	*	4/2005	Mody	D23/213	
D506,256	S	*	6/2005	Miyoshi	D24/108	
D517,179	S	*	3/2006	Chan	D23/304	
D518,147	S	*	3/2006	Fukushima	D23/233	
D530,813	S	*	10/2006	Greco	D23/499	
D550,351	S	*	9/2007	Kwok	A61M 16/06	
						D24/110.1	
D550,840	S	*	9/2007	Anderson	D24/129	
D557,409	S	*	12/2007	Veliss	D24/110.1	
D558,337	S	*	12/2007	Jones	D23/128	
D566,809	S	*	4/2008	Woodward	D12/220	
D567,372	S	*	4/2008	Chesnin	D24/128	
D569,477	S	*	9/2008	Fulkerson	D23/213	
D576,267	S	*	5/2008	Mogensen	D24/108	
D581,153	S	*	11/2008	Edy	D3/202	
D583,937	S	*	12/2008	White	D24/128	
D589,061	S	*	3/2009	Chu	D15/7	
D589,142	S	*	3/2009	Guerrero	D24/108	
D594,032	S	*	6/2009	Nimberger	D15/5	
D594,531	S	*	6/2009	Daunter	D23/238	
D614,953	S	*	5/2010	Allen	D9/443	
D619,711	S	*	7/2010	Lombardo	D24/128	
D621,938	S	*	8/2010	Petersen	D24/140	
D624,628	S	*	9/2010	Haynes	D23/233	
D625,004	S	*	10/2010	McGrady	D24/129	
D629,357	S	*	12/2010	Rousseau	D13/122	
D629,886	S	*	12/2010	Adamo	D24/110.5	
D630,302	S	*	1/2011	Ambriz	D23/249	
D632,728	S	*	2/2011	Goad	D17/20	
D638,514	S	*	5/2011	Farley	D23/209	
D644,086	S	*	8/2011	Herglotz	D8/323	
D652,120	S	*	1/2012	Widenmann	D23/263	
D654,805	S	*	2/2012	Lua	D9/686	
D655,814	S	*	3/2012	Trifilio	D24/130	
D656,981	S	*	4/2012	Nolan	D16/330	
D657,450	S	*	4/2012	Lee	D24/110.1	
D657,916	S	*	4/2012	Pelerin	D29/108	
D658,273	S	*	4/2012	Cardo	D23/263	
D663,194	S	*	7/2012	Obolewicz	D8/382	
D669,100	S	*	10/2012	Ringer	D15/28	
D690,740	S	*	10/2013	Gonzales	D15/28	
D701,303	S	*	3/2014	Cook	D24/128	
D702,809	S	*	4/2014	Restive	B05B 7/0018	
						D23/213	
D707,545	S	*	6/2014	Schopf	D8/394	
D710,005	S	*	7/2014	Kawamura	D24/130	
D715,427	S	*	10/2014	Jovet-Hug	D24/128	
D722,865	S	*	2/2015	Greenthal	D8/382	
RE45,395	E	*	3/2015	Fulkerson	D23/213	
D723,658	S	*	3/2015	Meister	D23/213	
D730,491	S	*	5/2015	Yamamoto	D23/233	
D732,663	S	*	6/2015	Miner	D24/128	
D741,696	S	*	10/2015	McGrath	D8/382	
D745,635	S	*	12/2015	Schwarz	D23/213	
D746,352	S	*	12/2015	Ryterski	D16/219	
D746,962	S	*	1/2016	Citterio	D23/304	
D746,963	S	*	1/2016	Barber	D23/304	
D746,964	S	*	1/2016	Schoenherr	D23/304	
D747,955	S	*	1/2016	Franco	D8/354	
D748,756	S	*	2/2016	Nikles	D23/213	
D758,197	S	*	6/2016	Herbst	D9/530	
D761,427	S	*	7/2016	Patterson	D24/140	
D761,956	S	*	7/2016	Chauvette	D24/129	
D763,436	S	*	8/2016	Judson	D24/110.1	
9,423,148	B2	*	8/2016	Oakner	F24F 13/222	
D767,555	S	*	9/2016	Lee	D14/253	
9,457,304	B2	*	10/2016	Bourque	F24F 12/006	

OTHER PUBLICATIONS

Stainless Steel Microphone Clip, image post date 2015, site visited Oct. 26, 2016, (online), <<http://www.sdy.com.tw/boat-electrical-lighting-accessories/stainless-steel-microphone-clip.html>>.*

Clam shell shape hatch, image post date 1989, site visited Oct. 26, 2016, (online), <https://thesovietarmourblog.blogspot.com/2016_05_01_archive.html>.*

Holt Allen HA74-2 Spinnaker Clips, image post date Sep. 7, 2010, site visited Oct. 26, 2016, (online), <<https://www.tineye.com/search/cad2fd151954ce7c5c9eb2857eff969d6900abe6/>>.*

Warwick Hanger Plastic Manifold Clip, image post date Sep. 11, 2013, site visited Oct. 26, 2016, (online), <<https://www.tineye.com/search/2938c7c4e67ee9dbeedc9da4f3020dfaf2c95550/>>.*

* cited by examiner

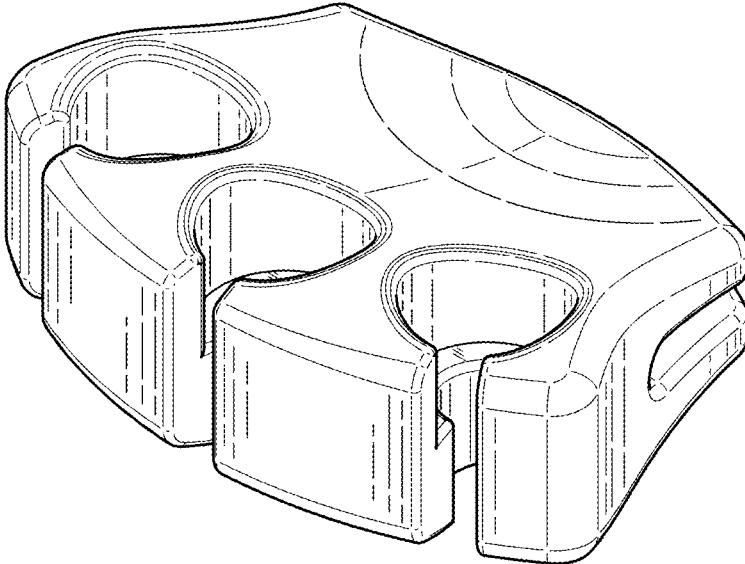


FIG. 1

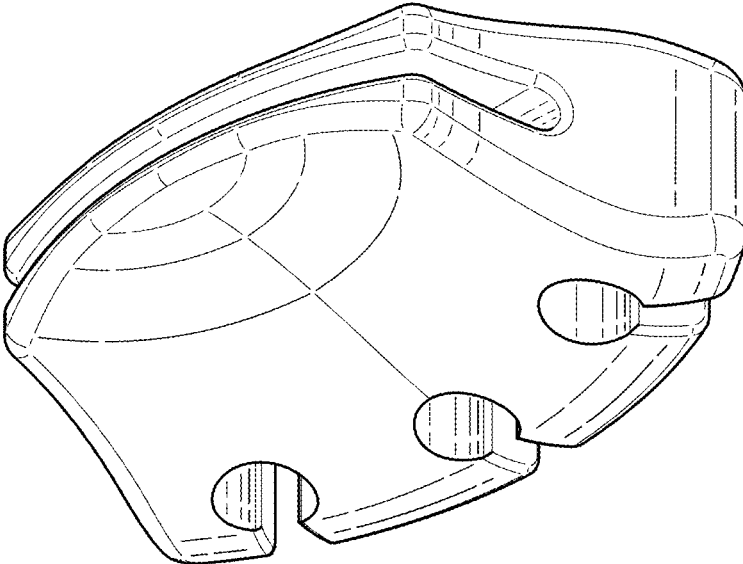


FIG. 2

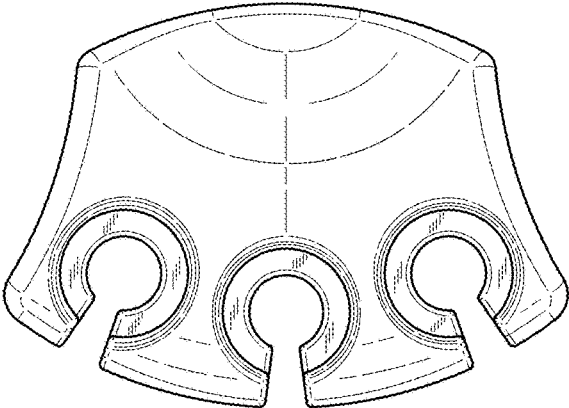


FIG. 3

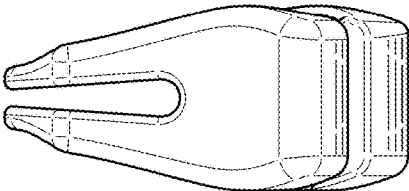


FIG. 4

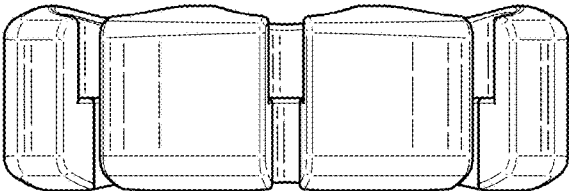


FIG. 5

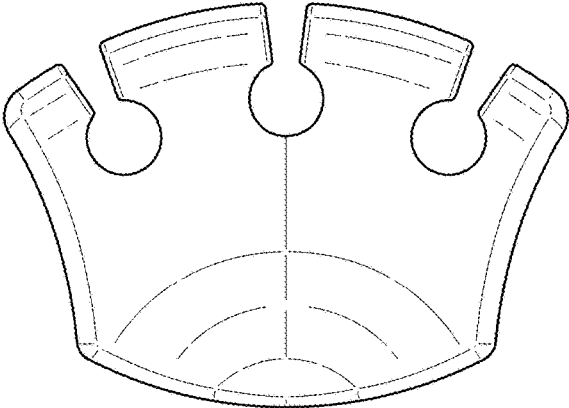


FIG. 6

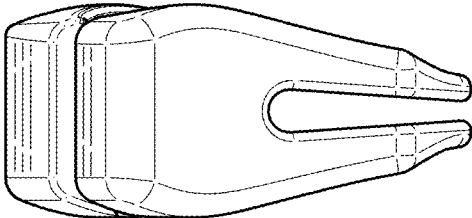


FIG. 7

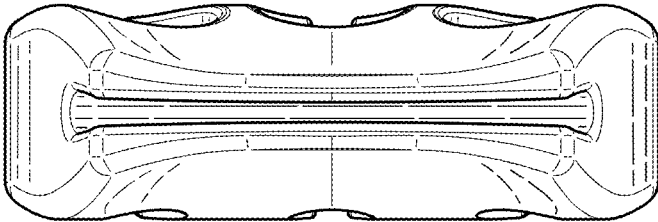


FIG. 8