

(19) World Intellectual Property Organization
International Bureau



(43) International Publication Date
27 May 2010 (27.05.2010)

PCT

(10) International Publication Number
WO 2010/059236 A1

(51) International Patent Classification:
B65D 85/50 (2006.01) *B65D 85/52* (2006.01)

(21) International Application Number:
PCT/US2009/006226

(22) International Filing Date:
20 November 2009 (20.11.2009)

(25) Filing Language: English

(26) Publication Language: English

(30) Priority Data:
61/199,770 20 November 2008 (20.11.2008) US

(71) Applicant (for all designated States except US): **1-800-FLOWERS.COM** [US/US]; One Old Country Road, Suite 500, Carle Place, New York 11514 (US).

(72) Inventors; and

(75) Inventors/Applicants (for US only): **GARCIA, Alberto, J.** [US/US]; 8842 NW 187th Street, Miami, Florida 33018 (US). **DERBIN, Frank** [US/US]; 100 Frontage Road, Newark, New Jersey 07114 (US). **SEBOUHIAN, Gary** [US/US]; 50-11 199th Street, Fresh Meadows, New York 11365 (US). **JANMATT, Bob** [US/US]; 6 Lenox Road, Farmingdale, New York 11735 (US).

(74) Agents: **PRATT, John, S.** et al.; Kilpatrick Stockton LLP, Suite 2800, 1100 Peachtree Street, Atlanta, Georgia 30067 (US).

(81) Designated States (unless otherwise indicated, for every kind of national protection available): AE, AG, AL, AM, AO, AT, AU, AZ, BA, BB, BG, BH, BR, BW, BY, BZ, CA, CH, CL, CN, CO, CR, CU, CZ, DE, DK, DM, DO, DZ, EC, EE, EG, ES, FI, GB, GD, GE, GH, GM, GT, HN, HR, HU, ID, IL, IN, IS, JP, KE, KG, KM, KN, KP, KR, KZ, LA, LC, LK, LR, LS, LT, LU, LY, MA, MD, ME, MG, MK, MN, MW, MX, MY, MZ, NA, NG, NI, NO, NZ, OM, PE, PG, PH, PL, PT, RO, RS, RU, SC, SD, SE, SG, SK, SL, SM, ST, SV, SY, TJ, TM, TN, TR, TT, TZ, UA, UG, US, UZ, VC, VN, ZA, ZM, ZW.

(84) Designated States (unless otherwise indicated, for every kind of regional protection available): ARIPO (BW, GH, GM, KE, LS, MW, MZ, NA, SD, SL, SZ, TZ, UG, ZM, ZW), Eurasian (AM, AZ, BY, KG, KZ, MD, RU, TJ, TM), European (AT, BE, BG, CH, CY, CZ, DE, DK, EE, ES, FI, FR, GB, GR, HR, HU, IE, IS, IT, LT, LU, LV, MC, MK, MT, NL, NO, PL, PT, RO, SE, SI, SK, SM, TR), OAPI (BF, BJ, CF, CG, CI, CM, GA, GN, GQ, GW, ML, MR, NE, SN, TD, TG).

Published:

— with international search report (Art. 21(3))

(54) Title: CONTAINER FOR SECURED SHIPPING AND STORAGE OF CONTENTS

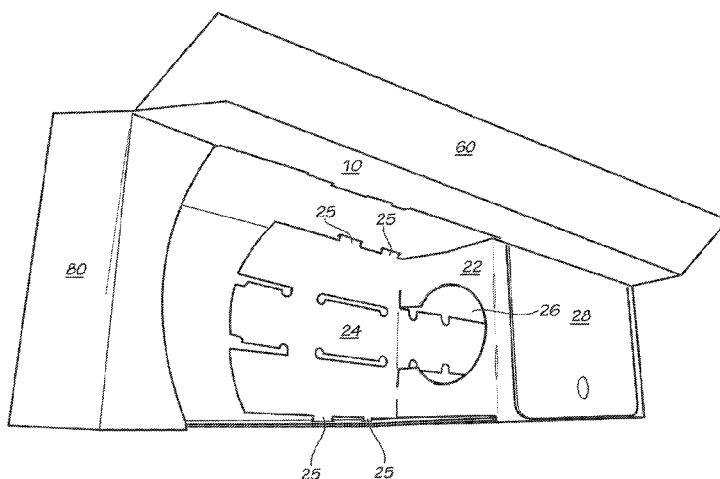


Fig. 3

(57) Abstract: Embodiments of this invention include a container for the secured transportation of the container's contents. The container allows an individual to ship flowers in a secure manner that prevents damage to the flowers during transit. The container also provides a means to ship additional items with the flowers. The container includes two different compartments which divide the flowering portion of the flowers from any additional items, preventing the additional items from damaging the flowering portions.



WO 2010/059236 A1

FIELD OF THE INVENTION

[0001] Embodiments of the invention generally relate to containers formed from single corrugated sheet blanks that provide a means to secure the contents of the containers from damage.

BACKGROUND OF THE INVENTION

[0002] Flowers have routinely been sent to individuals to mark a special occasion or just as a token of affection. Local florists have long specialized in this field, delivering the flowers and other items traditionally associated with flowers, such as vases, candies, jewelry, stuffed animals, and various other sundries, to the recipients in their immediate area. However, with the popularity of the internet and improved shipping methods, many florists have begun to expand their business radius, resorting to sending flowers through shipping providers. However, flowers are very fragile and can be easily damaged when shipped. The risk of damage to the flowers is increased during shipping when other accessories are included.

[0003] Many florists attempt to prevent such damage from occurring by placing the accompanying items with the flowers in a separate box within the shipping container. While the separate box does prevent the commingling of the accessories from the flowers, the separate box itself may damage the flowers as well. As such, there is a need to provide a flower shipping container that secures both the flowers and any other accessories while keeping them separate. Also, it would be beneficial if such container were formed from a single corrugated sheet, leading to less assembly time as well as requiring less space for storage.

BRIEF DESCRIPTION OF THE DRAWINGS

[0004] Figure 1 is a plane top view of a single blank according to one embodiment of this invention.

Figure 1.

[0006] Figure 3 is a perspective view of the interior of the partially formed container of

Figure 2.

[0007] Figure 4 is a perspective view of a divider of the container according to one embodiment of this invention.

[0008] Figure 5 is a perspective view of a fully formed container according to one embodiment of this invention.

[0009] Figure 6 is a perspective view of the closed container of Figure 5.

[0010] Figure 7 is a plane top view of a single blank according to another embodiment of this invention

DETAILED DESCRIPTION OF EMBODIMENTS OF THE INVENTION

[0011] Embodiments of this invention include a container for the secured transportation of the container's contents. The container allows an individual to ship flowers in a secure manner that prevents damage to the flowers during transit. The container also provides a means to ship additional items with the flowers. The container includes two different compartments which divide the flowering portion of the flowers from any additional items, preventing the additional items from damaging the flowering portions.

[0012] As shown in Figure 1, the container is formed from a single blank. The blank is preferably made from corrugated cardboard material. However, in other embodiments, the blank may be composed of, but not limited to, paper, polyurethane, or other sturdy but flexible material. The blank may be divided into several portions, including a securing portion 10, an insert portion 20, a first side portion 30, a bottom portion 40, a second side portion 50, a top portion 60, and a lid portion 70. Connected to the insert portion 20 of the blank are end tabs 80, which include

the blank.

[0013] Before the container is formed, the securing portion 10 of the blank is secured to the edge of the top portion 60 adjacent the second side portion 50 as shown in Figure 2. The securing portion 10 of the blank may be adhered to the top portion 60 through the use of glue or other chemical means. In other embodiments, separate mechanical means, such as tabs and inserts, may be used to attach the securing portion 10. Even with the securing portion 10 attached, the blank may be folded to form a flat blank sheet. Since the blank can remain in a flat state with the securing portion 10 attached, the blank takes up less space during storage and shipping.

[0014] Once the securing portion 10 has been attached, the flat blank can easily be transformed into the container needed to transport the flowers and additional components. To form the container, the insert portion 20 is aligned perpendicular to the second side portion 50, and the securing portion 10, as shown in Figure 2. By aligning the insert portion 20 perpendicular to the second side portion 50, the first side portion 30 aligns itself parallel with the second side portion 50 while the bottom portion 40 aligns itself parallel with the insert portion 20. Folds between the numerous portions of the blank assist in forming the container.

[0015] Once the container has been partially formed, the container may be divided into the two different compartments needed to separate the flowering portion of the flowers from the additional items that may be included during shipping. As shown in Figure 3, a dividing section 22 of the insert portion 20 is placed within the partially formed container. As shown in Figure 4, the dividing section 22 is pivotally connected to the insert portion 20 along only one end. The dividing section 22 is pushed downward into the container, dividing the container into an open compartment and a closed compartment. As shown in Figure 3, the majority of the insert portion 20 serves as the means to create the closed compartment.

dividing section 22 is folded flush with the bottom portion 40 of the container. Tabs 25 found along the sides of the flower securing portion 24 are received within slots 42 found between the bottom portion 40 and the first and second side portions 30 and 50 respectively to secure the flower securing portion 24 in place. Additionally, folding the flower securing portion 24 flush with the bottom portion 40 of the container creates an opening 26 within the dividing section 22. The opening 26 allows the stems of the flowers to extend into both compartments. The dividing section 22, however, provides a damage-preventing barrier for the flowering portions of the flowers, shielding the flower from any vases or additional accessories found in the closed compartment. The flower securing portion 24 may also include holes, slots, and other various apertures to allow string or other tie material, such as wire, to anchor the flowers. Parts of the flower securing portion 24 are located within the open and the closed compartments, allowing the stems of the flowers to be tied and secured to prevent movement during shipping. A lid 28 found on the insert portion 20 prevents contents from exiting the closed compartment during shipping, while providing access to when the container is opened.

[0017] To complete the formation of the container, the end tabs 90 of the bottom portion 40 are first folded into the inner part of the partially formed container. Following the positioning of the end tabs 90 of the bottom portion, the flaps 82 and 84 of the end tabs 80 of the insert portion 20 are folded to form acute angles with the end tabs 80. The flaps 82 and 84 are then positioned within the partially formed container, and expanded to form an approximate right angle with the end tabs 80, with the flaps 82 and 84 flush against the first and second side portions 30 and 50 respectively. The end tabs 90 of the bottom portion 40 are then folded towards the end tabs 80 of the insert portion 20 and between the flaps 82 and 84 to further secure the ends of the containers as shown in Figure 5.

[0018] Once the flowers and various other accessories have been placed and secured, the container can be closed. The top portion 60 of the blank is folded across the top of the container,

portion 70 is then folded flush against the first side portion 30. Tabs 72 extending from an edge of the lid portion 70 may be inserted into slots 32 found on the first side portion 30, securing the closing of the container, and enclosing the open compartment, as shown in Figure 6.

[0019] In an alternative embodiment illustrated in Figure 7, a container is formed from a single blank 700. The blank is preferably made from corrugated cardboard material. However, in other embodiments, the blank may be composed of, but not limited to, paper, polyurethane, or other sturdy but flexible material. The blank may be divided into several portions, including a securing portion 710, an insert portion 720, a first side portion 730, a bottom portion 740, a second side portion 750, a top portion 760, and a lid portion 770. Connected to the first side portion 730 of the blank 700 are end tabs 780. Connected to second side portion 750 of the blank 700 are end tabs 790, which include attached flaps 792 and 794.

[0020] Before the container is formed, the securing portion 710 of the blank 700 is secured to the edge of the top portion 760 adjacent the second side portion 750 in substantially the same manner as the embodiment described above and illustrated in Figure 2. Although shown as only about half the length of top portion 760, securing portion 710 may alternatively be sized to extend along the entire length of top portion 760.

[0021] As with embodiments described above, the blank 700 may be folded to form a flat blank sheet. Since the blank 700 can remain in a flat state with the securing portion 10 attached, the blank takes up less space during storage and shipping. The rest of the blank 700 is transformed into a container in a substantially similar manner as that described above and illustrated in Figures 2-6. Dividing section 722 and flower securing portion 724 are configured in a similar manner as dividing section 22 and flower securing portion 24 as described above.

[0022] In this embodiment, lid portion 770 is secured against first side portion 730 with flaps 775, which are tucked into the slots formed by end tabs 780 and 790 in the fully formed container. With lid portion 770 and flaps 775 installed with the blank 700 formed into a

portion 750. Use of flaps 775 instead of tabs 72 (described above) eliminates the need for slots 32 and can simplify blank construction. In addition, flaps are well-known means for securing containers and are easy to operate.

[0023] The foregoing is provided for purposes of illustrating, explaining, and describing embodiments of the present invention. Further modifications and adaptations to these embodiments will be apparent to those skilled in the art and may be made without departing from the scope or spirit of the invention.

1. A container for shipping flowers formed from a single blank corrugated sheet, comprising:

at least two sides and a bottom, wherein the bottom is connected to the at least two sides;

a top extending from one of the at least two sides comprising an upper portion and a foldable side portion;

an insert extending from one of the at least two sides opposite the top, the insert comprising a securing portion, a lid, and a divider;

wherein the securing portion is coupled to the upper portion of the top and the divider is pivotally connected to the insert and is folded inwards into the container, forming an open compartment and a closed compartment;

the lid provides access to the closed compartment; and

the divider comprises a flower securing extension and a stem access opening, the flower securing extension comprising securing tabs and apertures and being folded flush against the bottom of the container and where the securing tabs are received by slots found within the at least two sides to secure the divider in place.

2. The container of claim 1, wherein the top further comprises securing tabs, wherein the securing tabs extend from the foldable side portion opposite the upper portion and are received within securing slots found within one of the at least two sides.

3. The container of claim 1, wherein the top further comprises securing flaps, wherein the securing flaps extend from the foldable side portion and are received into the container generally perpendicular to the at least two sides.

the top along substantially the entire length of the upper portion of the top.

5. The container of claim 1, wherein the container is formed from corrugated cardboard, paper or polyurethane.

6. The container of claim 5, wherein the container is formed from corrugated cardboard.

1/5

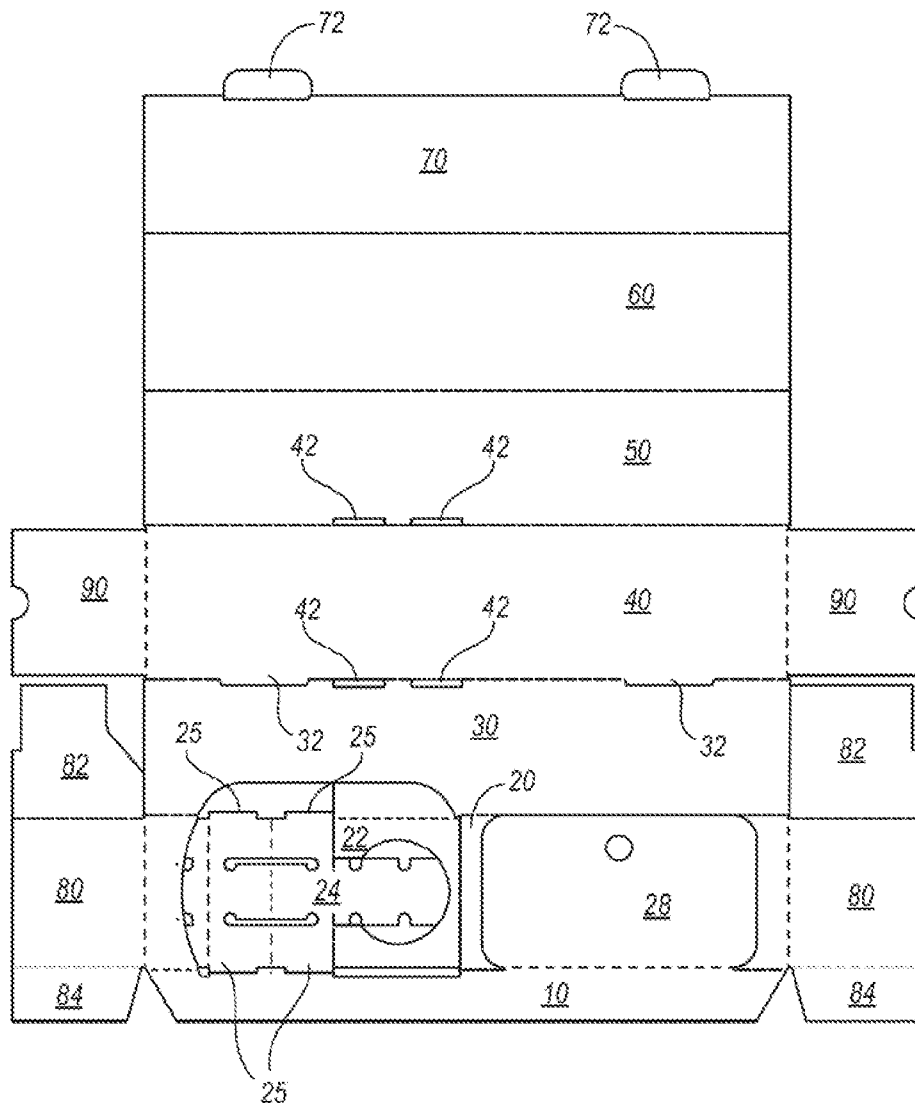


Fig. 1

2/5

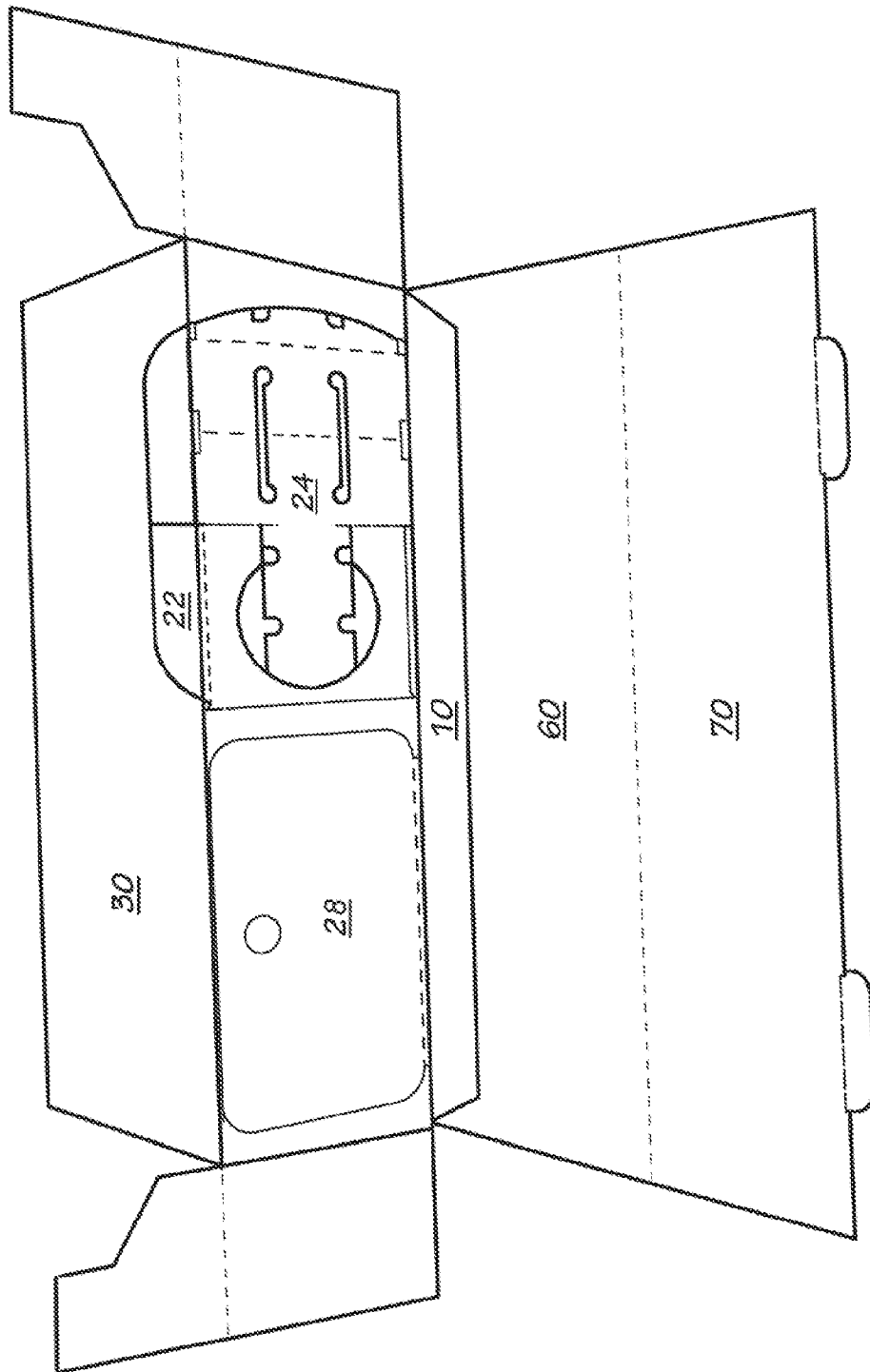


Fig. 2

3/5

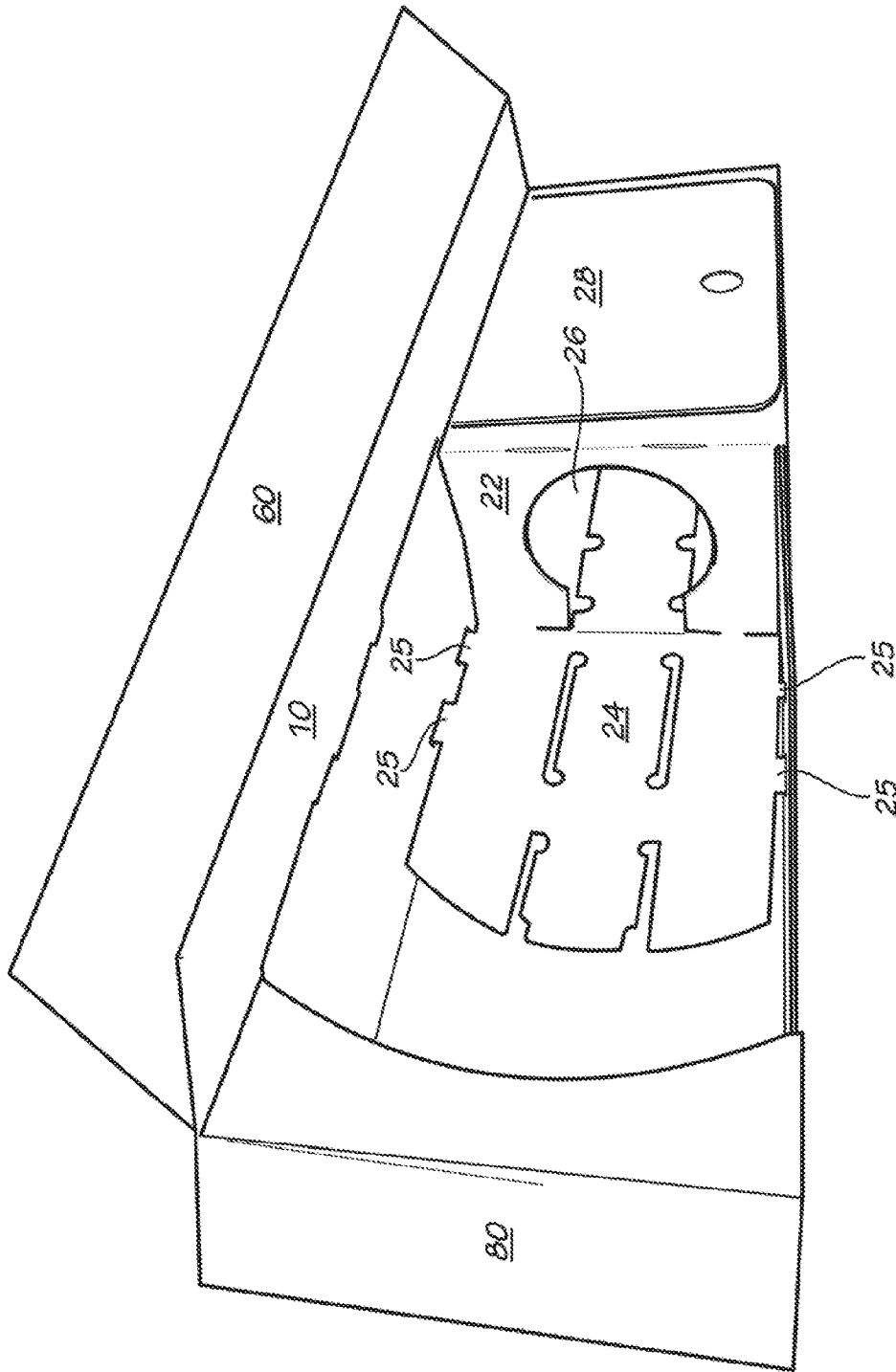
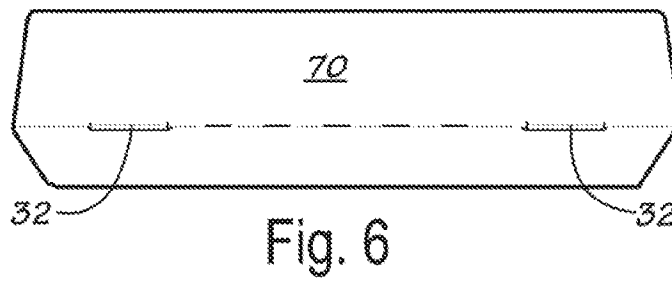
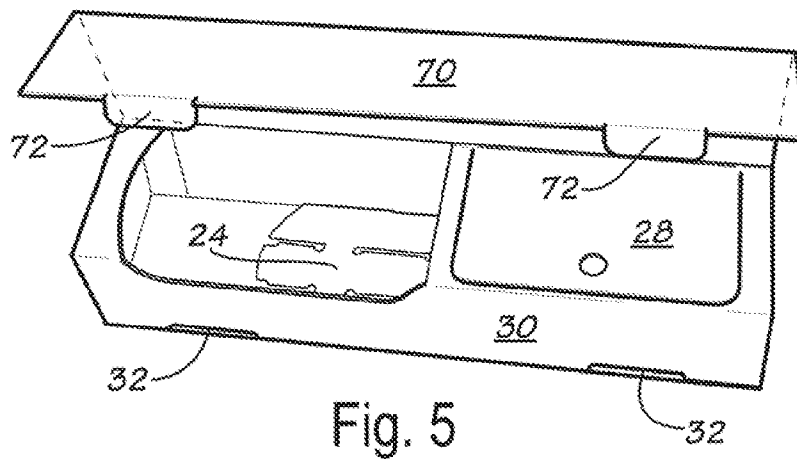
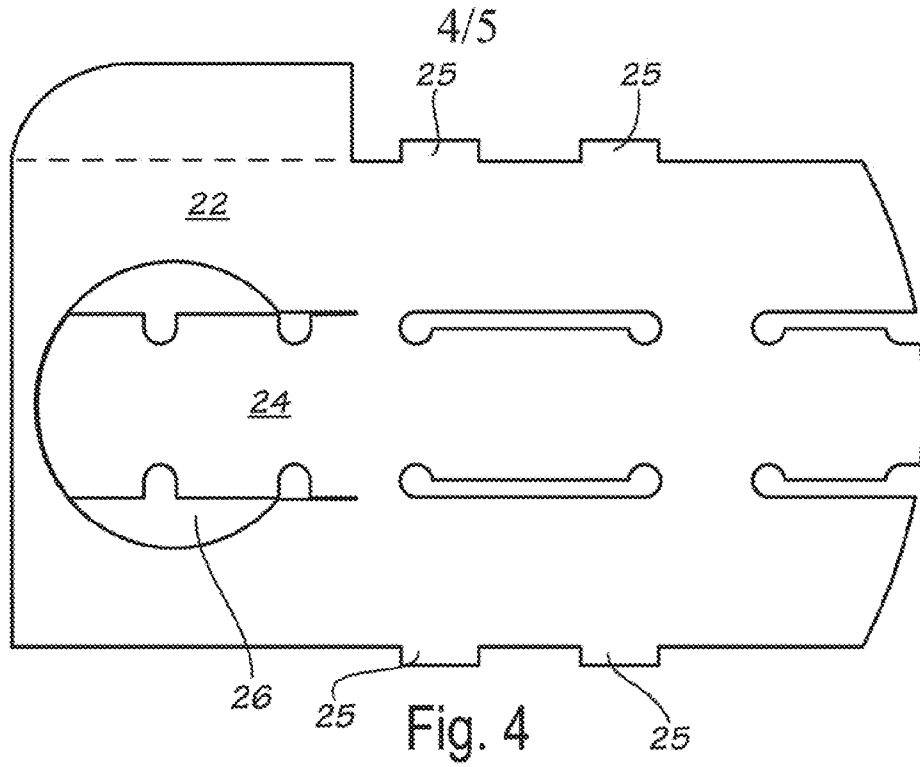


Fig. 3



5/5

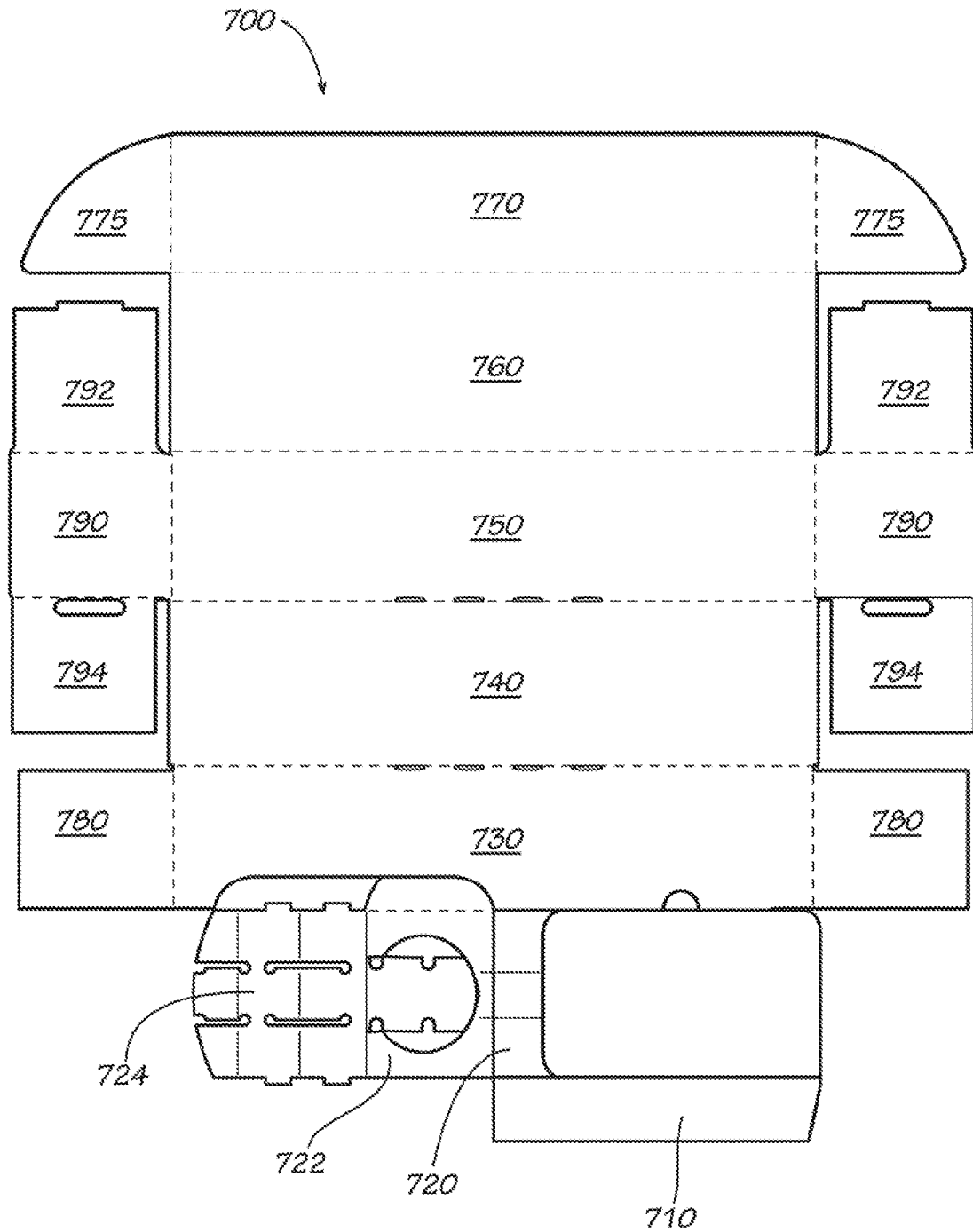


FIG. 7

INTERNATIONAL SEARCH REPORT

International application No.

PCT/US 09/06226

A. CLASSIFICATION OF SUBJECT MATTER IPC(8) - B65D 85/50, 85/52 (2010.01) USPC - 206/423 According to International Patent Classification (IPC) or to both national classification and IPC		
B. FIELDS SEARCHED Minimum documentation searched (classification system followed by classification symbols) IPC(8): B65D 85/50, 85/52 (2010.01) USPC: 206/423 Documentation searched other than minimum documentation to the extent that such documents are included in the fields searched IPC(8): B65D 85/50, 85/52 (2010.01) - see search terms below USPC: 206/423; 47/84, 41.01 - see search terms below Electronic data base consulted during the international search (name of data base and, where practicable, search terms used) USPTO PubWEST(USPT, PGPB, EPAB, JPAB); GooglePatents; GoogleScholar Search Terms: Flower, flora, roses, blossom, bouquet, corrugated, cardboard, package, container, carton, shipping, integral, blank, slit, slot, aperture, hole, tab, flap, brace, divider, securing, support, partition, separating, open, close, strut		
C. DOCUMENTS CONSIDERED TO BE RELEVANT		
Category*	Citation of document, with indication, where appropriate, of the relevant passages	Relevant to claim No.
Y	US 2007/0246387 A1 (ANHUT) 25 October 2007 (25.10.2007), entire document, especially, Figs. 1-6, para [0022]	1-6
Y	US 5,495,983 A (LELEK) 05 March 1996 (05.03.1996), entire document, especially, Figs. 1-7, col 7, ln 26-28	1-6
Y	US 4,915,224 A (WULF, et al.) 10 April 1990 (10.04.1990), Figs. 5-7	1-6
Y	US 4,572,423 A (SPENCER) 25 February 1986 (25.02.1986), Figs. 1-3	1-6
Y	US 4,863,015 A (TOLTZMAN) 05 September 1989 (05.09.1989), Fig. 8	2
<input type="checkbox"/> Further documents are listed in the continuation of Box C. <input type="checkbox"/>		
* Special categories of cited documents: "A" document defining the general state of the art which is not considered to be of particular relevance "E" earlier application or patent but published on or after the international filing date "L" document which may throw doubts on priority claim(s) or which is cited to establish the publication date of another citation or other special reason (as specified) "O" document referring to an oral disclosure, use, exhibition or other means "P" document published prior to the international filing date but later than the priority date claimed "T" later document published after the international filing date or priority date and not in conflict with the application but cited to understand the principle or theory underlying the invention "X" document of particular relevance; the claimed invention cannot be considered novel or cannot be considered to involve an inventive step when the document is taken alone "Y" document of particular relevance; the claimed invention cannot be considered to involve an inventive step when the document is combined with one or more other such documents, such combination being obvious to a person skilled in the art "&" document member of the same patent family		
Date of the actual completion of the international search 07 January 2010 (07.01.2010)		Date of mailing of the international search report 20 JAN 2010
Name and mailing address of the ISA/US Mail Stop PCT, Attn: ISA/US, Commissioner for Patents P.O. Box 1450, Alexandria, Virginia 22313-1450 Facsimile No. 571-273-3201		Authorized officer: Lee W. Young PCT Helpdesk: 571-272-4300 PCT OSP: 571-272-7774