



US00D678999S

(12) **United States Design Patent**
Selvarajan et al.

(10) **Patent No.:** **US D678,999 S**
(45) **Date of Patent:** **** Mar. 26, 2013**

(54) **ELBOW COMPONENT FOR A PATIENT INTERFACE**

(75) Inventors: **Karthikeyan Selvarajan**, Thornleigh (AU); **Christopher Scott Skipper**, West Ryde (AU); **Joshua Adam Gudiksen**, Mortdale (AU); **Steven John Lubke**, Stanmore (AU); **Alison Oldenburg**, Crows Nest (AU)

(73) Assignee: **ResMed Limited**, Bella Vista (AU)

(**) Term: **14 Years**

(21) Appl. No.: **29/409,939**

(22) Filed: **Dec. 30, 2011**

Related U.S. Application Data

(60) Continuation of application No. 29/371,488, filed on Mar. 18, 2011, now Pat. No. Des. 652,913, which is a division of application No. 29/261,579, filed on Jun. 16, 2006, now Pat. No. Des. 637,283.

(51) **LOC (9) Cl.** **29-02**

(52) **U.S. Cl.** **D24/110; D24/110.5**

(58) **Field of Classification Search** **D24/110.1, D24/110.4-110.6; 128/205.25, 206.21, 206.28, 128/207.12, 207.13, 912**

See application file for complete search history.

(56) **References Cited**

U.S. PATENT DOCUMENTS

6,467,483	B1	10/2002	Kopacko
D486,226	S	2/2004	Guney et al.
6,691,707	B1	2/2004	Gunaratnam
D496,098	S	9/2004	Guney
6,851,425	B2	2/2005	Jaffre
D506,827	S	6/2005	Jones et al.
6,907,882	B2	6/2005	Ging
D540,464	S	4/2007	Guney et al.

D540,941	S	4/2007	Kwok et al.
D556,897	S	12/2007	Guney et al.
D557,408	S	12/2007	Amarasinghe et al.
D558,333	S	12/2007	Hitchcock et al.
D637,283	S	5/2011	Selvarajan et al.
2002/0023650	A1	2/2002	Gunaratnam et al.
2004/0221850	A1	11/2004	Ging et al.
2006/0042629	A1*	3/2006	Geist 128/206.24
2006/0266365	A1	11/2006	Stallard

FOREIGN PATENT DOCUMENTS

WO WO 2005/051468 6/2005

OTHER PUBLICATIONS

Selvarajan et al., Parent U.S. Appl. No. 29/371,488, filed Mar. 18, 2011.

* cited by examiner

Primary Examiner — Ian Simmons

Assistant Examiner — Richelle Shelton

(74) *Attorney, Agent, or Firm* — Nixon & Vanderhye P.C.

(57) **CLAIM**

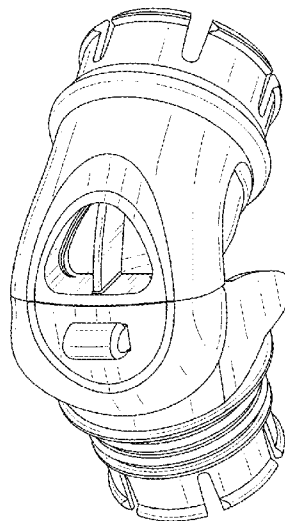
The ornamental design for an elbow component for a patient interface, as shown and described.

DESCRIPTION

FIG. 1 is a perspective view of an elbow component for a patient interface showing our new ornamental design; FIG. 2 is a front view thereof; FIG. 3 is a rear view thereof; FIG. 4 is a top view thereof; FIG. 5 is a bottom view thereof; and, FIG. 6 is a left side view thereof with the right side view thereof being a mirror image thereof.

The broken line showing of structure of the elbow component for a patient interface is included for the purpose of illustrating portions of the article and forms no part of the claimed design.

1 Claim, 2 Drawing Sheets



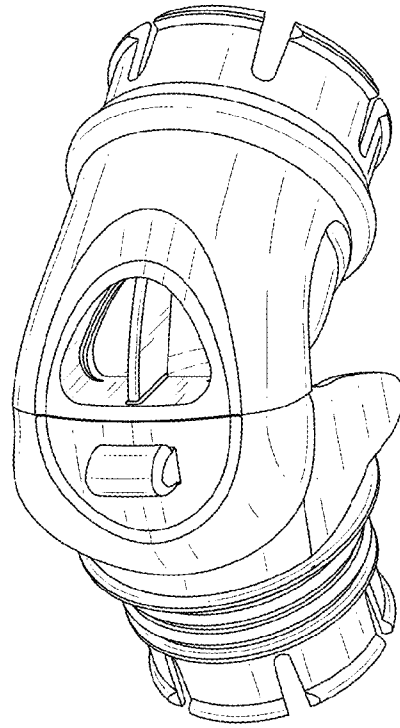


FIG. 1

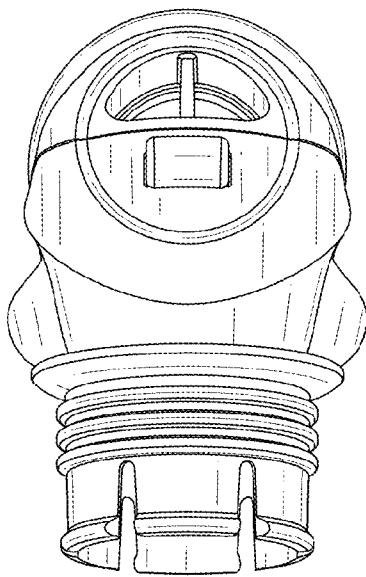


FIG. 2

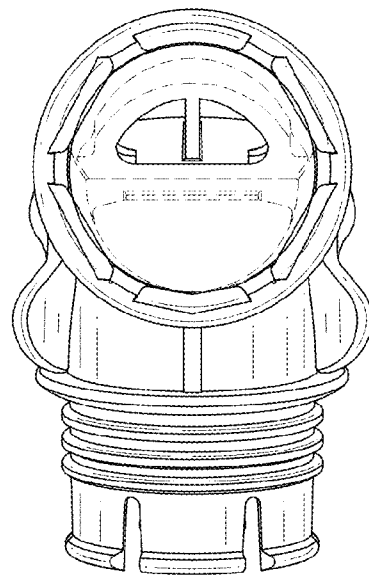


FIG. 3

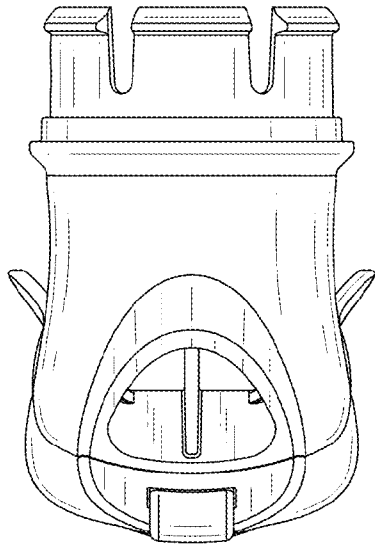


FIG. 4

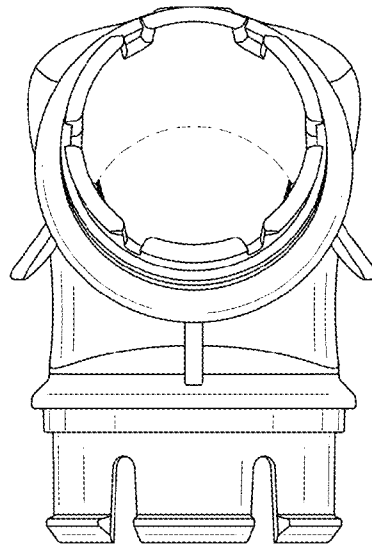


FIG. 5

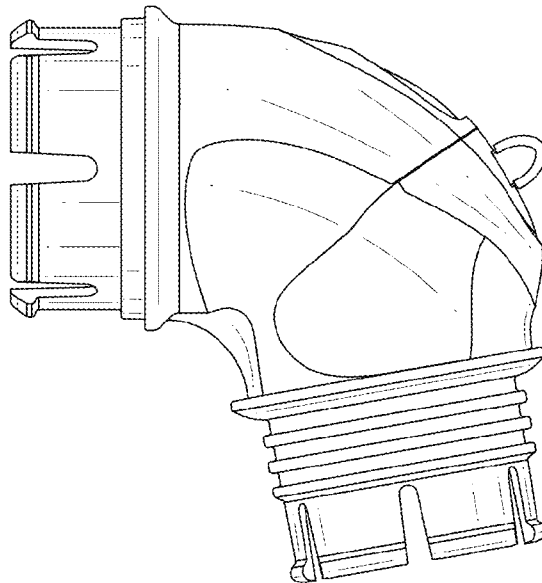


FIG. 6