



US00D747744S

(12) **United States Design Patent**
Maurer et al.

(10) **Patent No.:** **US D747,744 S**

(45) **Date of Patent:** **** Jan. 19, 2016**

(54) **MANIFOLD**

Primary Examiner — T. Chase Nelson

Assistant Examiner — Ania Aman

(71) Applicant: **Parker-Hannifin Corporation**,
Cleveland, OH (US)

(74) *Attorney, Agent, or Firm* — Renner, Otto, Boisselle & Sklar, LLP

(72) Inventors: **Garrett M. Maurer**, Maplewood, MN
(US); **James R. Prazak**, White Bear
Lake, MN (US)

(73) Assignee: **Parker-Hannifin Corporation**,
Cleveland, OH (US)

(57) **CLAIM**

The ornamental design for a manifold, as shown and described.

(**) Term: **14 Years**

(21) Appl. No.: **29/454,991**

DESCRIPTION

(22) Filed: **May 16, 2013**

FIG. 1 is a perspective view of a manifold showing our new design.

(51) **LOC (10) Cl.** **15-01**

FIG. 2 is another perspective view thereof.

(52) **U.S. Cl.** **D15/5**

FIG. 3 is another perspective view thereof.

(58) **Field of Classification Search**

FIG. 4 is another perspective view thereof.

USPC **D15/5; D23/266, 263; 60/476;**
D13/173, 123, 174; 251/59; 29/527.6

FIG. 5 is another perspective view thereof.

See application file for complete search history.

FIG. 6 is another perspective view thereof.

FIG. 7 is a front view thereof.

FIG. 8 is a rear view thereof.

FIG. 9 is a left side view thereof.

FIG. 10 is a right side view thereof.

FIG. 11 is a top view thereof; and,

FIG. 12 is a bottom view thereof.

The broken lines are for the purpose of illustrating portions of the manifold and form no part of the claimed design.

The dot-dash broken lines represent an unclaimed boundary and form no part of the claimed design.

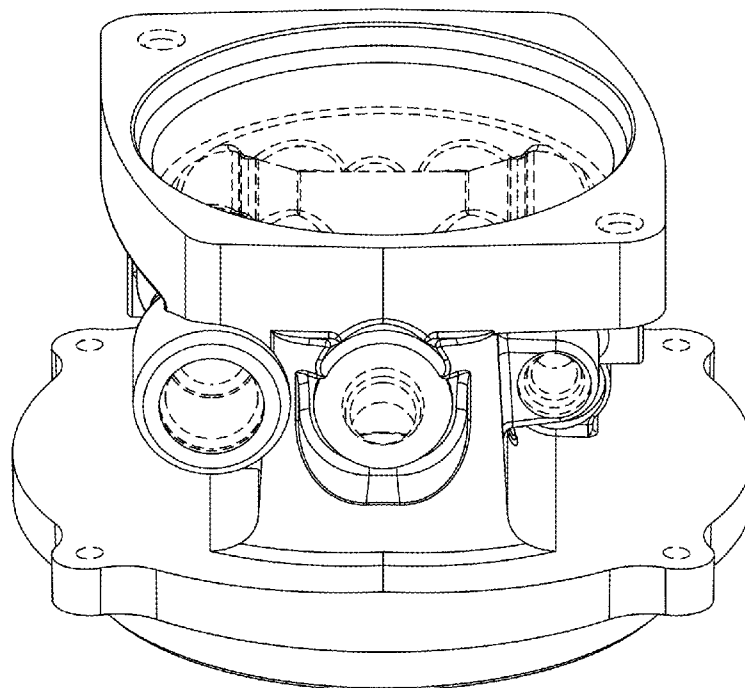
(56) **References Cited**

U.S. PATENT DOCUMENTS

2008/0224553	A1 *	9/2008	Abe et al.	310/71
2011/0186758	A1 *	8/2011	Goldbeck et al.	251/59
2013/0160738	A1 *	6/2013	Cowan	123/399
2013/0312848	A1 *	11/2013	Maurer et al.	137/343
2015/0060707	A1 *	3/2015	Baasch et al.	251/59

* cited by examiner

1 Claim, 7 Drawing Sheets



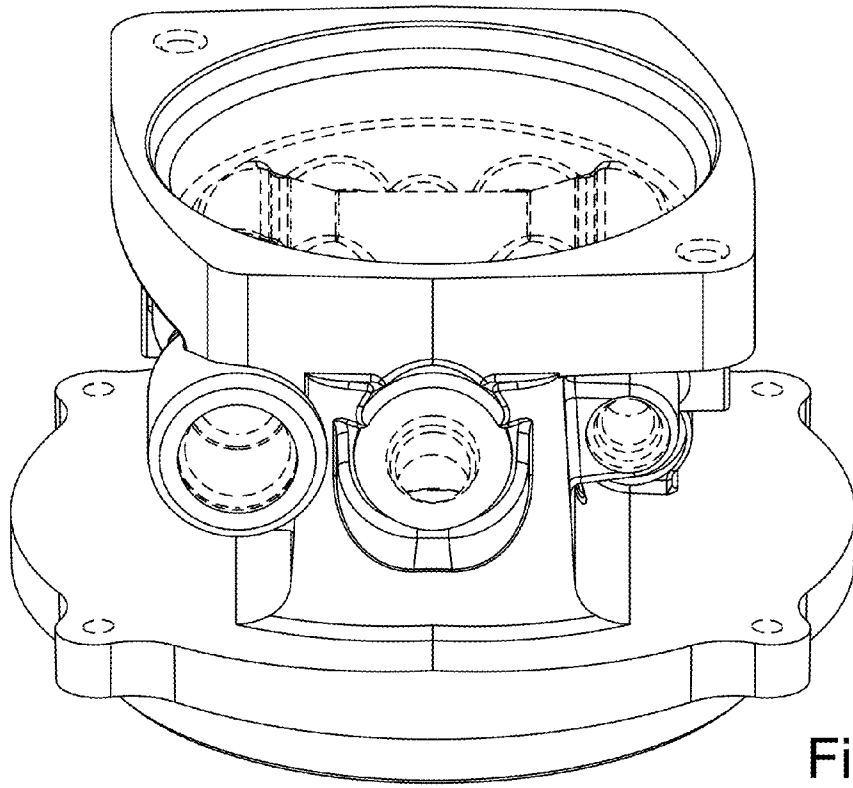


Fig. 1

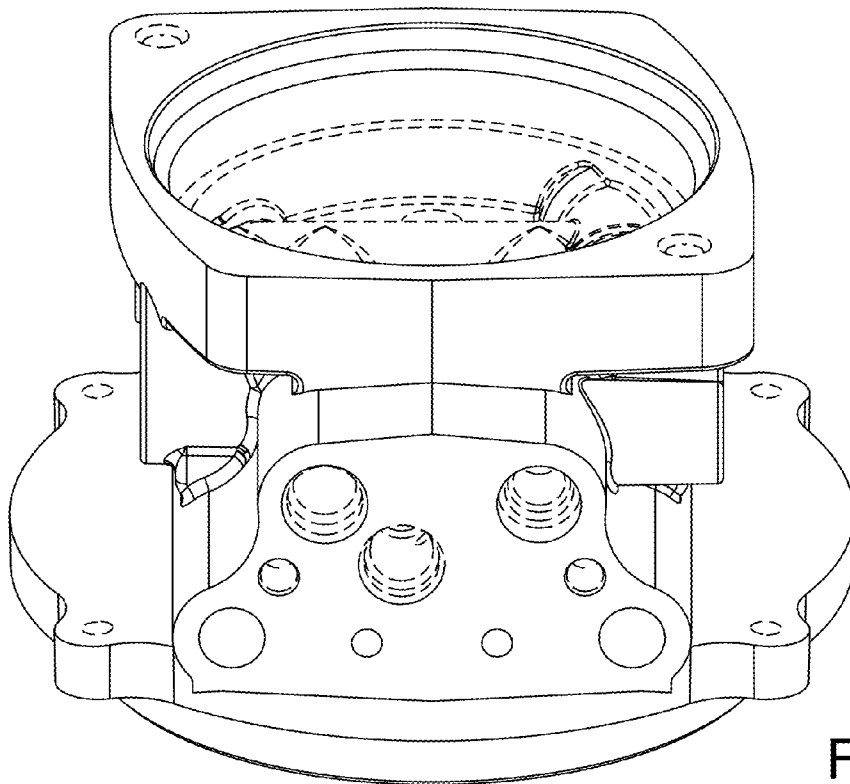


Fig. 2

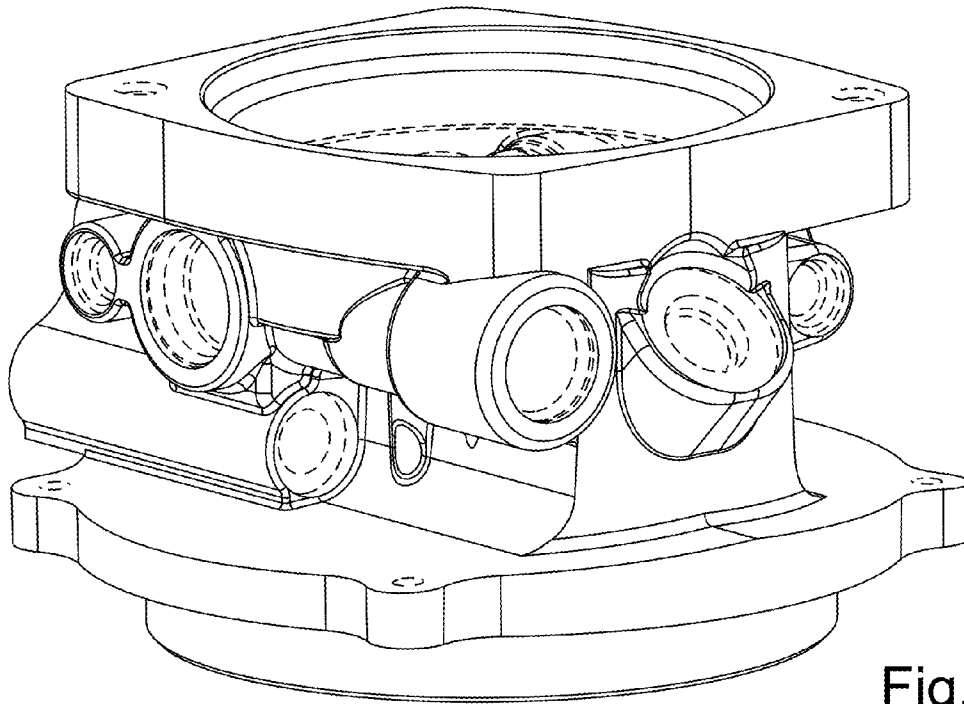


Fig. 3

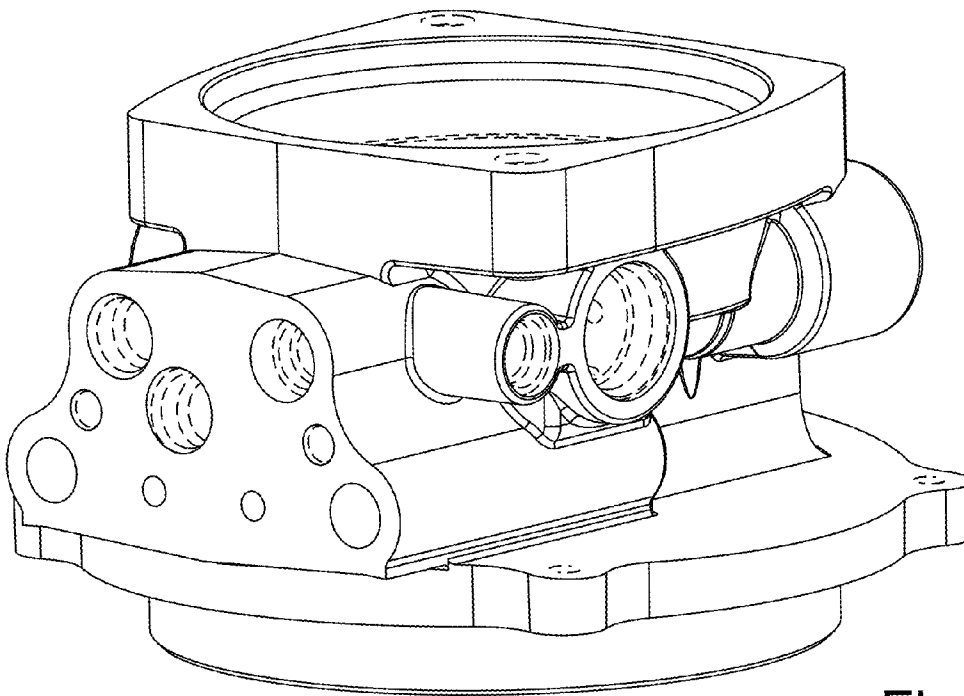


Fig. 4

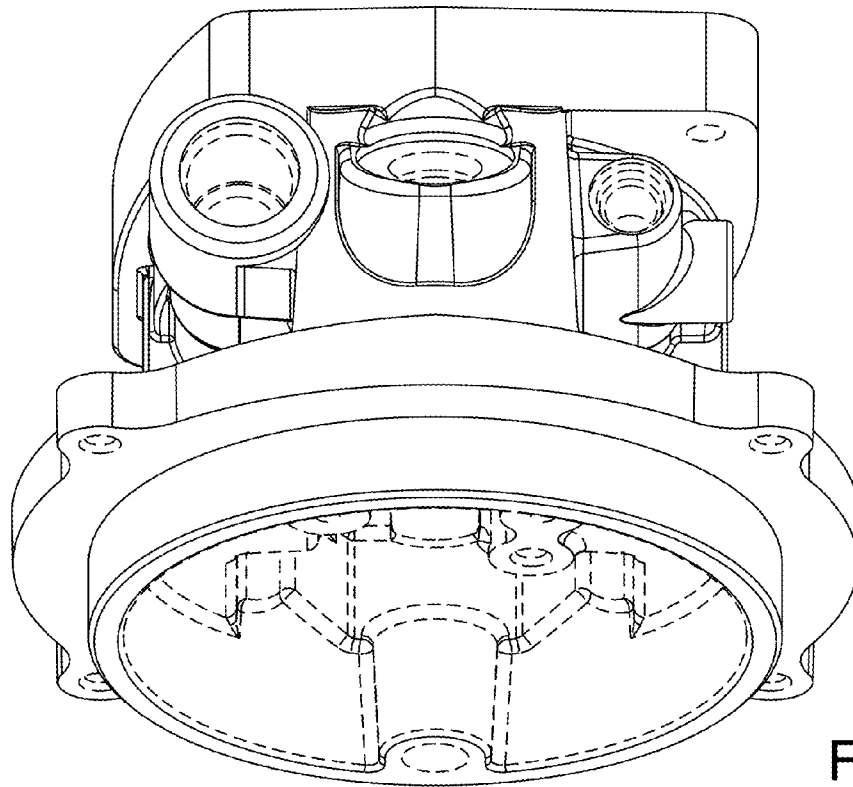


Fig. 5

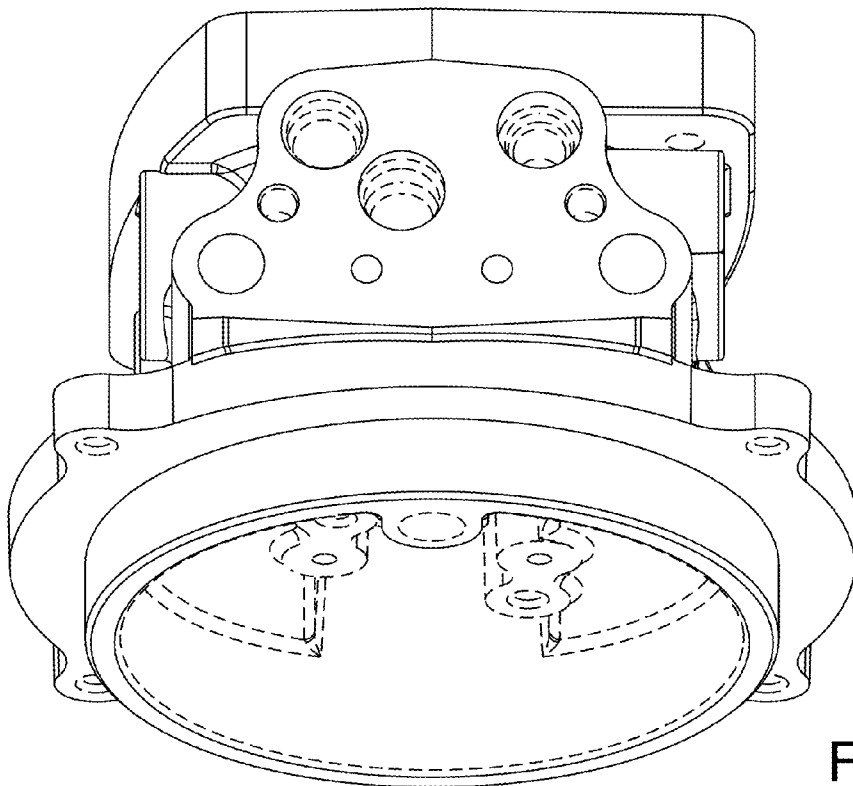


Fig. 6

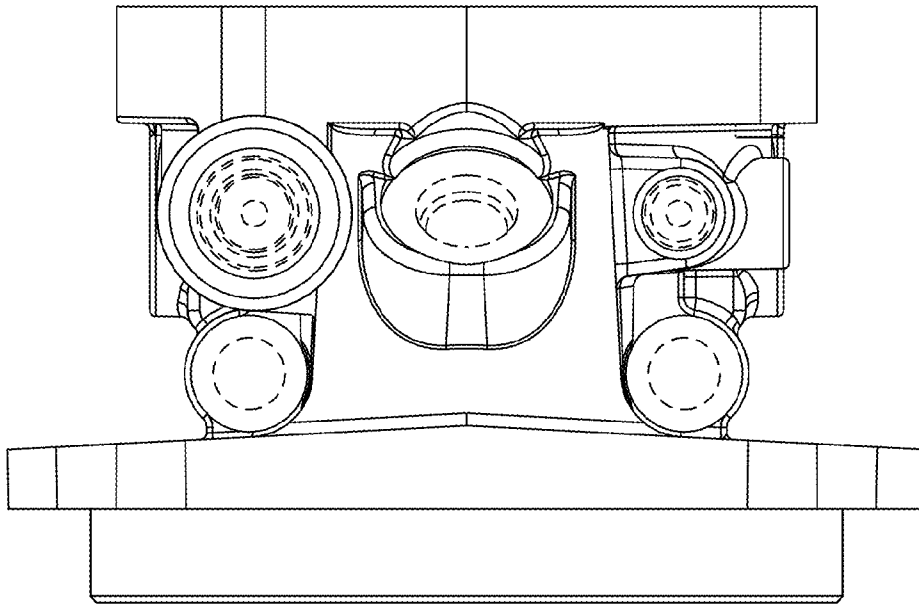


Fig. 7

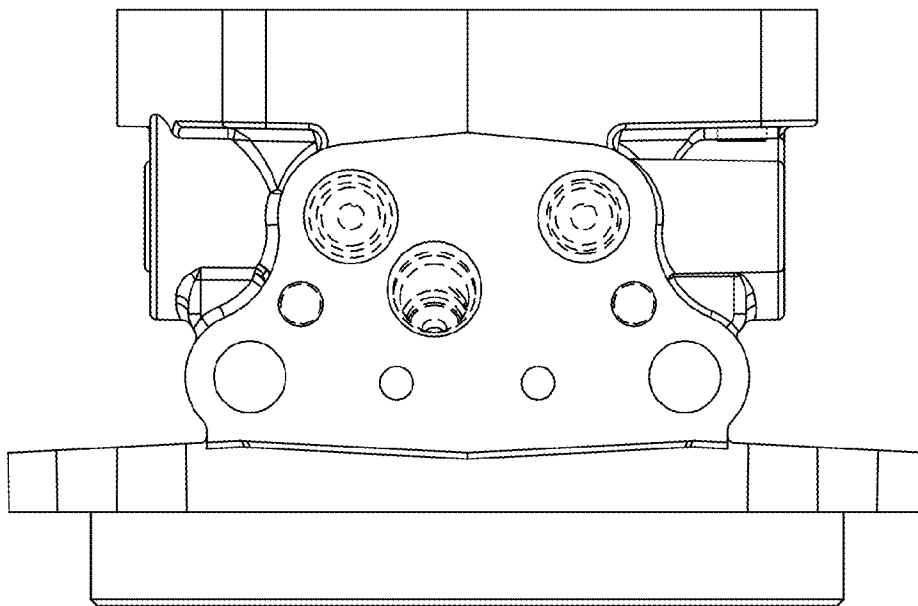


Fig. 8

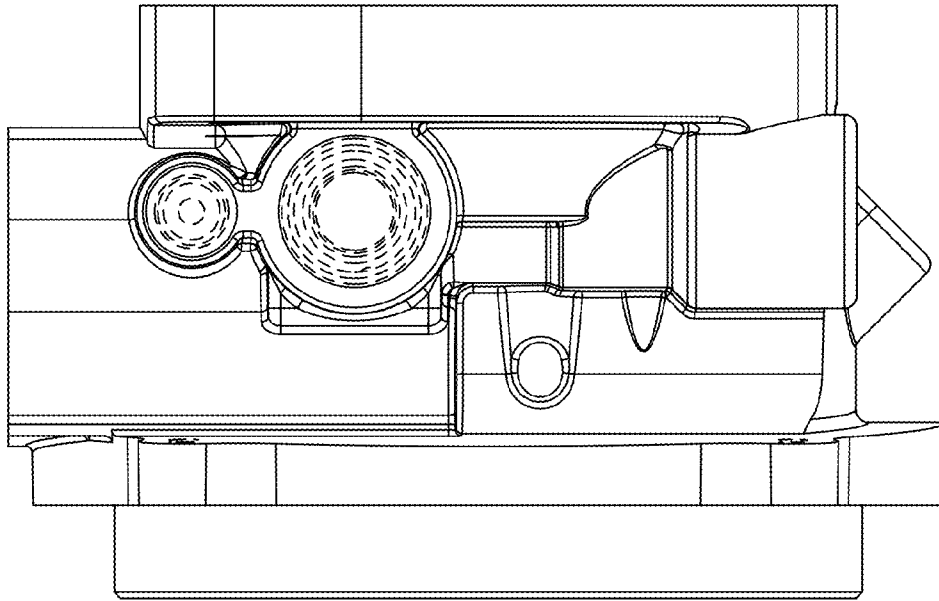


Fig. 9

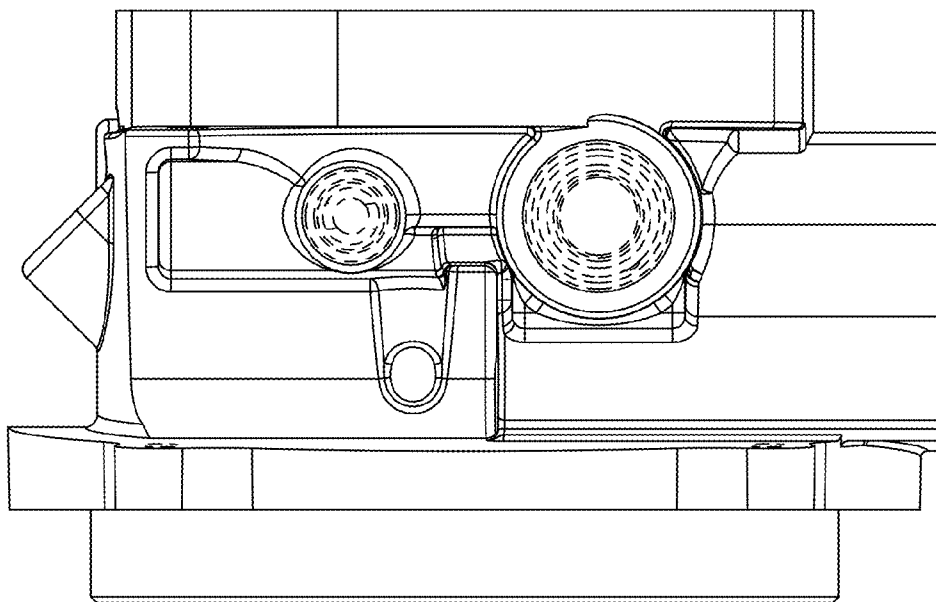


Fig. 10

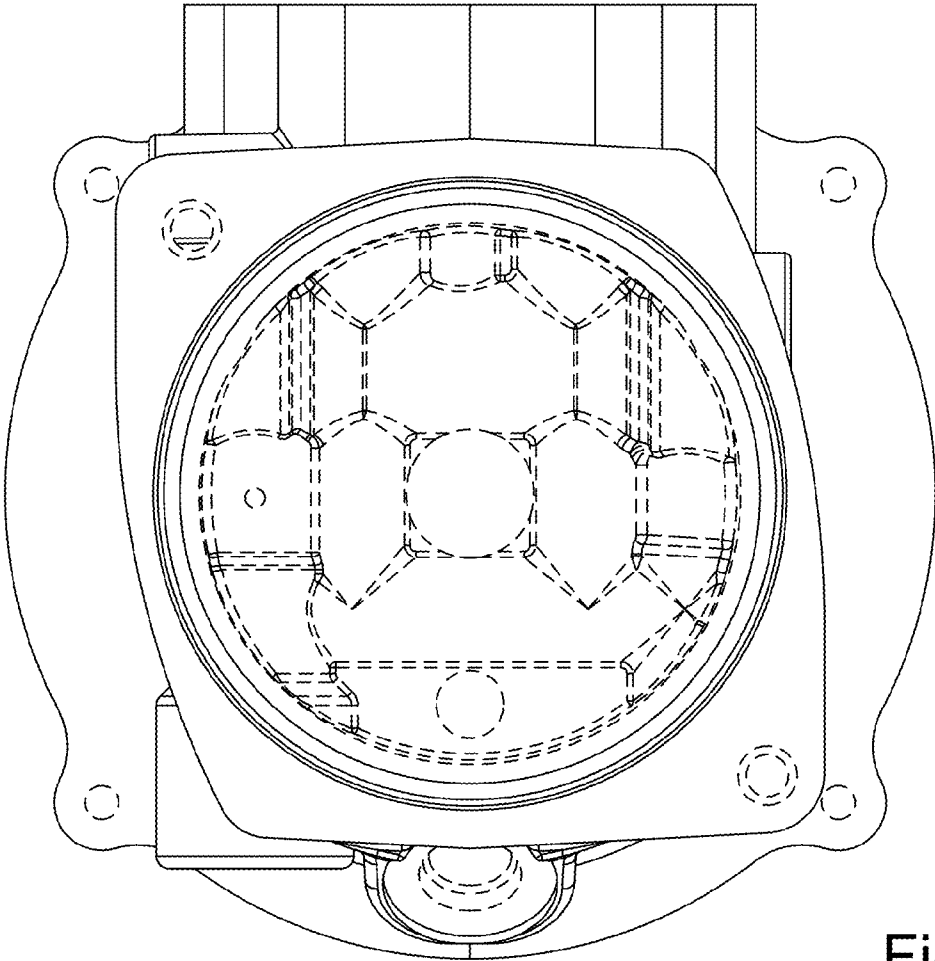


Fig. 11

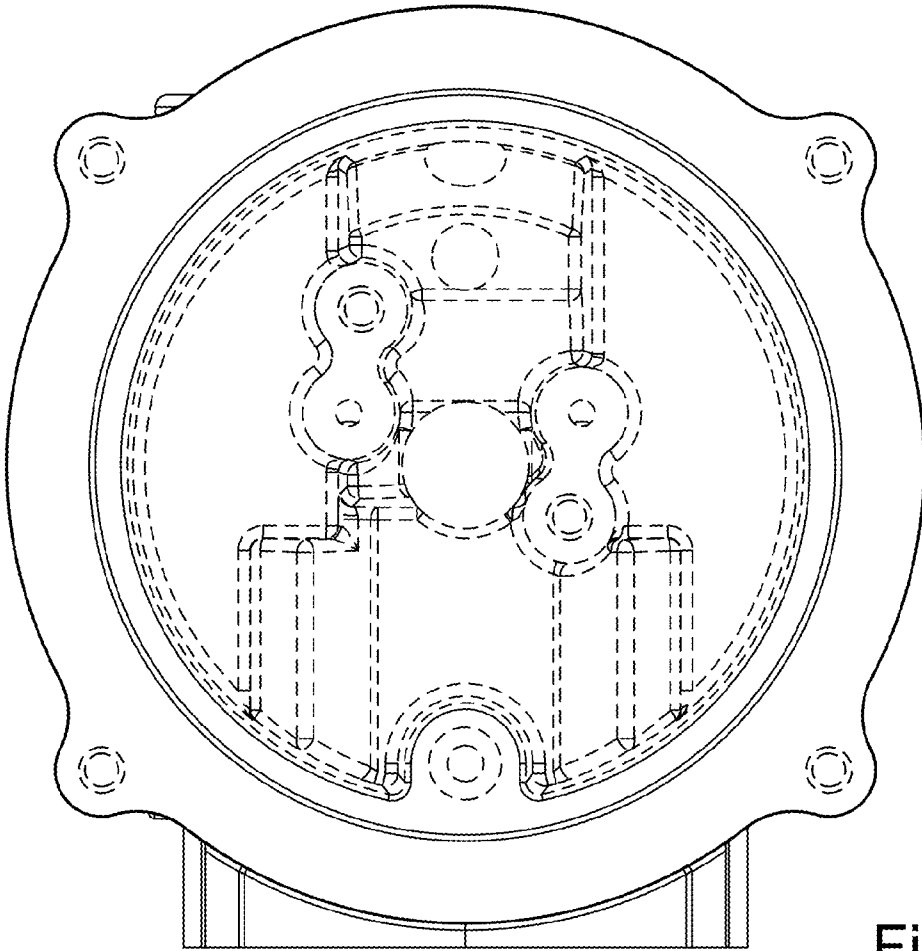


Fig. 12