



US00D816081S

(12) **United States Design Patent**
Rosenberg et al.

(10) **Patent No.:** **US D816,081 S**
(45) **Date of Patent:** **** Apr. 24, 2018**

(54) **TOUCH SENSOR ART KEYBOARD**

G06F 3/0416; G06F 3/044; G06F
2203/0338; G06F 1/1669

See application file for complete search history.

(71) Applicant: **Sensel, Inc.**, Mountain View, CA (US)

(56) **References Cited**

(72) Inventors: **Ilya Daniel Rosenberg**, Mountain View, CA (US); **John Aaron Zarraga**, San Francisco, CA (US); **Brogan Carl Miller**, Davis, CA (US); **Stephanie Maria Chedid**, San Francisco, CA (US); **Stephanie Wanti Lim**, Los Altos Hills, CA (US); **Tomer Moscovich**, San Francisco, CA (US)

U.S. PATENT DOCUMENTS

D244,317 S * 5/1977 Russell D24/167
D313,409 S * 1/1991 Chowdhree D14/389
(Continued)

(73) Assignee: **Sensel, Inc.**, Mountain View, CA (US)

OTHER PUBLICATIONS

Notice of Allowance and accompanying letter containing list of references dated Jun. 21, 2017 for Japanese Design Application No. 2017-3845 (6 pages).

(**) Term: **15 Years**

Primary Examiner — Susan Bennett Hattan

Assistant Examiner — Marie D. Fast Horse

(21) Appl. No.: **29/575,554**

(74) *Attorney, Agent, or Firm* — James R. Gourley; Carstens & Cahoon, LLP

(22) Filed: **Aug. 25, 2016**

(57) **CLAIM**

The ornamental design for a touch sensor art keyboard, as shown.

Related U.S. Application Data

DESCRIPTION

(63) Continuation-in-part of application No. 14/499,090, filed on Sep. 27, 2014, now Pat. No. 9,459,746, which
(Continued)

FIG. 1 is a front view of a touch sensor art keyboard showing my new design;

FIG. 2 is a rear view thereof;

FIG. 3 is a right view thereof, shown in an enlarged scale for clarity

FIG. 4 is a left view thereof, shown in an enlarged scale for clarity

FIG. 5 is a top view thereof;

FIG. 6 is a bottom view thereof;

FIG. 7 is a top front perspective view thereof;

FIG. 8 is a top rear perspective view thereof;

FIG. 9 is a top right front perspective view thereof;

FIG. 10 is a top right rear perspective view thereof;

FIG. 11 is a top left rear perspective view thereof;

FIG. 12 is a top left front perspective view thereof;

FIG. 13 is a bottom right front perspective view thereof;

(Continued)

(51) **LOC (11) Cl.** **14-02**

(52) **U.S. Cl.**

USPC **D14/390**; D14/455

(58) **Field of Classification Search**

USPC D14/388, 389, 390, 318, 341, 342, 356,

D14/218, 454, 455, 299, 496, 432, 434,

D14/457, 458; D21/324, 329, 333;

D13/162, 164, 168; D10/46, 61, 65;

D19/59-61, 113; D20/10, 11, 19, 99

CPC G06F 3/041; G06F 3/0412; G06F 3/0414;

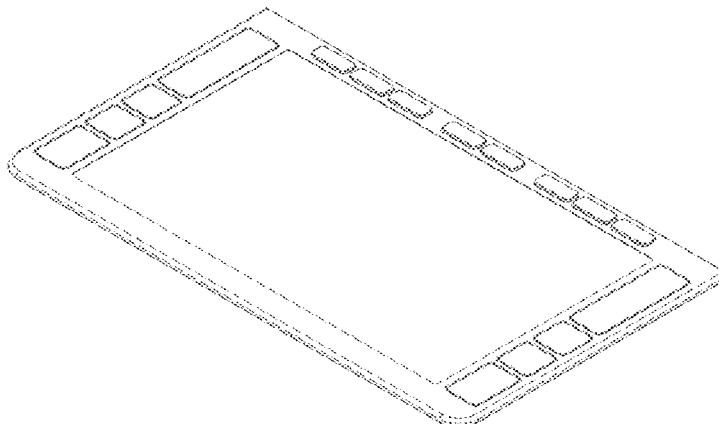


FIG. 14 is a bottom right rear perspective view thereof;
 FIG. 15 is a bottom left rear perspective view thereof; and,
 FIG. 16 is a bottom left front perspective view thereof.

1 Claim, 16 Drawing Sheets

Related U.S. Application Data

is a continuation-in-part of application No. 14/314,
 662, filed on Jun. 25, 2014, now Pat. No. 9,001,082.

(56) **References Cited**

U.S. PATENT DOCUMENTS

D333,125 S * 2/1993 Komada D14/390
 D353,369 S * 12/1994 Leibengood D14/455
 D377,789 S * 2/1997 Wang D14/390
 D378,211 S * 2/1997 Kuo D14/390
 D385,857 S * 11/1997 Cohen D14/390
 D388,065 S * 12/1997 Kawauchi D14/389
 D390,211 S * 2/1998 Yates D14/341
 D435,668 S * 12/2000 Couey D25/48.3
 D451,505 S * 12/2001 Iseki D14/341
 D478,089 S * 8/2003 Yokota D14/399
 D506,195 S * 6/2005 Leveridge D14/341
 D513,616 S * 1/2006 Glassman D14/396
 D519,997 S * 5/2006 Hirota D14/341
 D525,621 S * 7/2006 Hirota D14/346
 D550,678 S * 9/2007 O'Neil D14/455
 D576,177 S * 9/2008 Asanuma D14/496
 D589,961 S * 4/2009 Hackenberg D14/389
 D602,022 S * 10/2009 Heck D14/388
 D625,727 S * 10/2010 Crisp D14/390
 D625,728 S * 10/2010 Crisp D14/390
 D629,400 S * 12/2010 Harper D14/390

D629,401 S * 12/2010 Crisp D14/390
 D629,402 S * 12/2010 Crisp D14/390
 D631,047 S * 1/2011 Hirota D14/390
 D631,469 S * 1/2011 Demskie D14/218
 D631,894 S * 2/2011 Chun D14/203.1
 D642,174 S * 7/2011 Hirota D14/390
 D642,562 S * 8/2011 Kato D14/341
 D648,723 S * 11/2011 Harper D14/390
 D652,838 S * 1/2012 Kawasaki D14/455
 D689,492 S * 9/2013 Halsinger D14/389
 D701,570 S * 3/2014 Fletcher D19/113
 D702,235 S * 4/2014 Jonsson D14/390
 D702,579 S * 4/2014 Lee D10/108
 D705,108 S * 5/2014 Lee D10/108
 D715,291 S * 10/2014 Cacioppo D14/341
 D716,302 S * 10/2014 Delgado D14/390
 D726,724 S * 4/2015 Wahlqvist D14/390
 D730,915 S * 6/2015 Lee D14/455
 D732,526 S * 6/2015 Ferren D14/341
 D732,533 S * 6/2015 Hirota D14/389
 D744,484 S * 12/2015 Huebner D14/389
 D747,769 S * 1/2016 Sarkis D19/113
 D747,991 S * 1/2016 Lee D10/108
 D748,630 S * 2/2016 Helwig D14/389
 D753,223 S * 4/2016 Chin D19/113
 D754,008 S * 4/2016 Huebner D10/65
 D773,456 S * 12/2016 Mitchell D10/65
 9,746,964 B2 * 8/2017 Rosenberg G06F 3/0418
 2012/0092285 A1 * 4/2012 Osborn G06F 3/044
 345/174
 2015/0091858 A1 * 4/2015 Rosenberg G06F 3/0414
 345/174
 2015/0091859 A1 * 4/2015 Rosenberg G06F 3/044
 345/174
 2015/0378492 A1 * 12/2015 Rosenberg G06F 3/0414
 345/174
 2017/0336891 A1 * 11/2017 Rosenberg G06F 3/044

* cited by examiner

FIG. 1

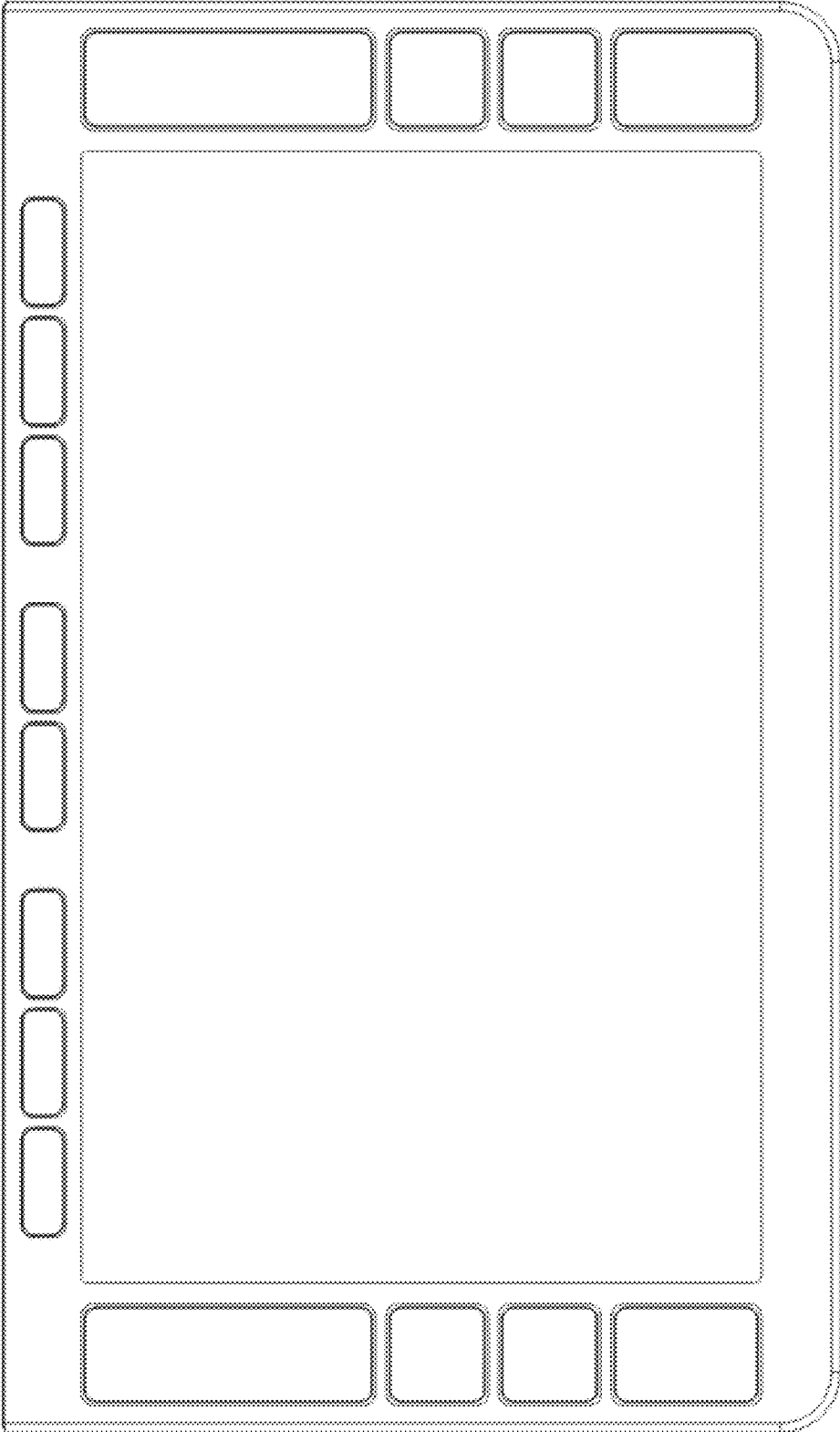


FIG. 2

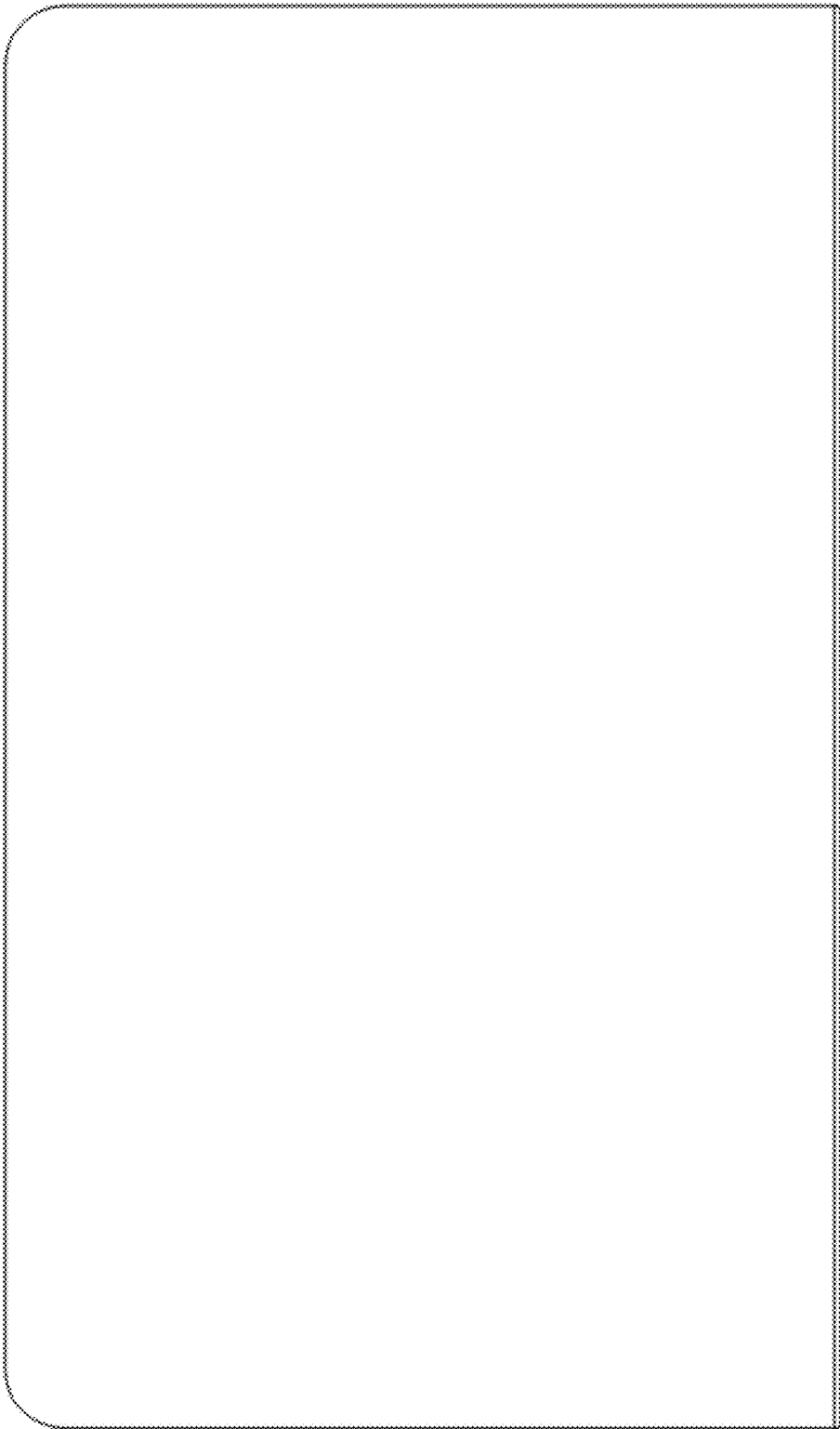


FIG. 3



FIG. 4



FIG. 5



FIG. 6



FIG. 7

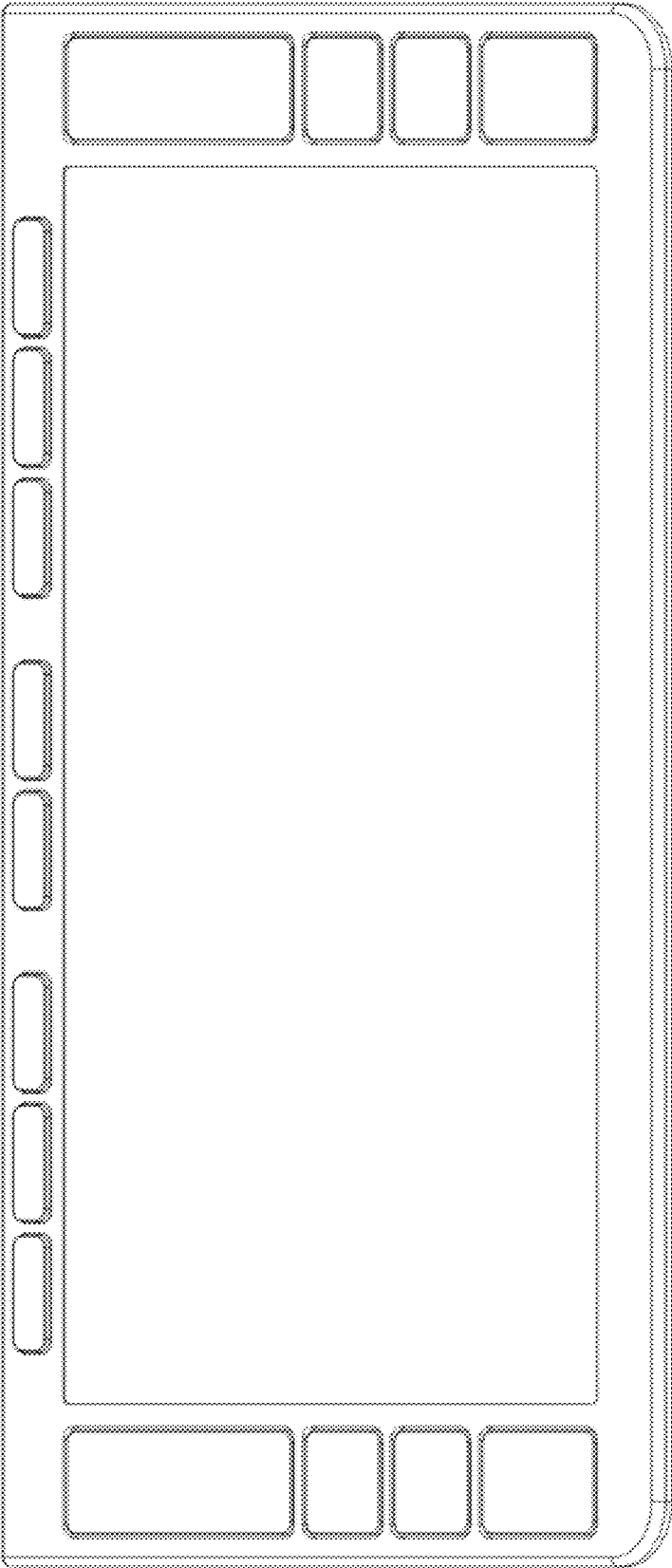


FIG. 8

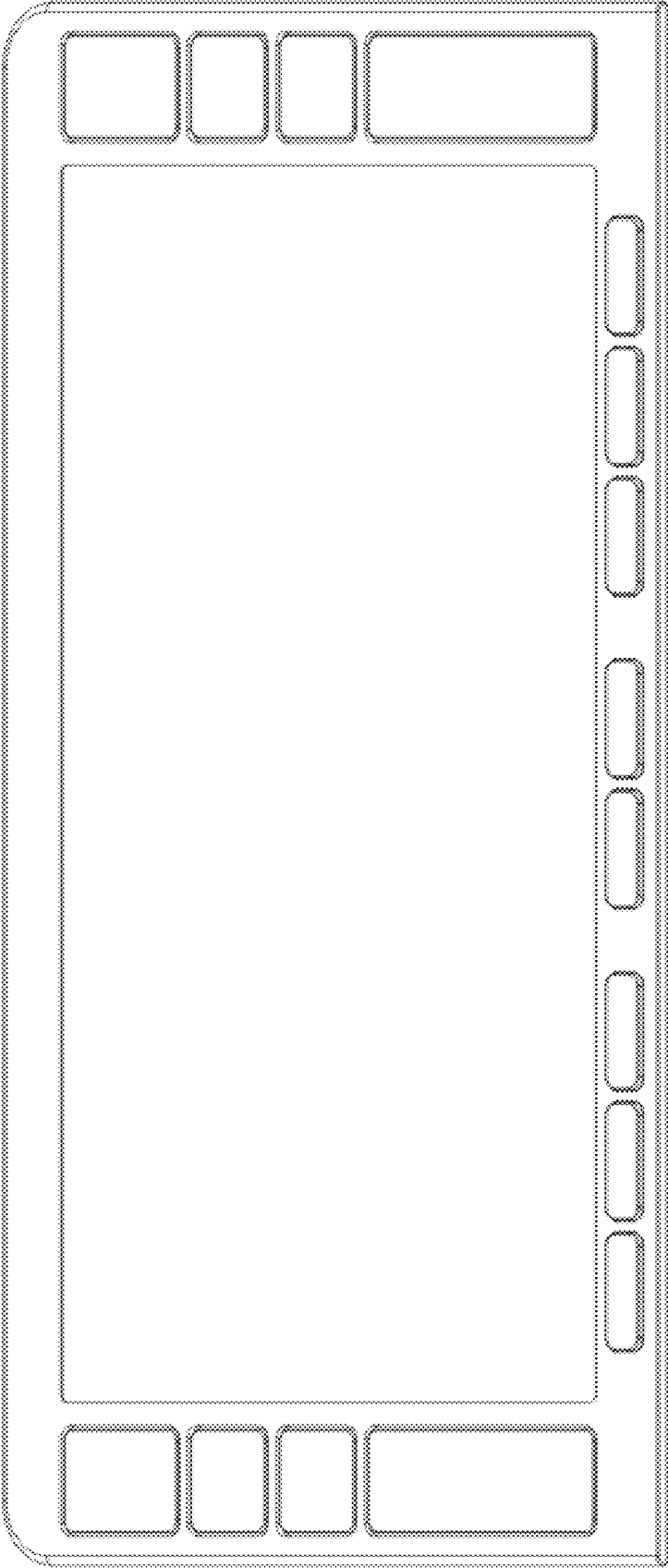


FIG. 9

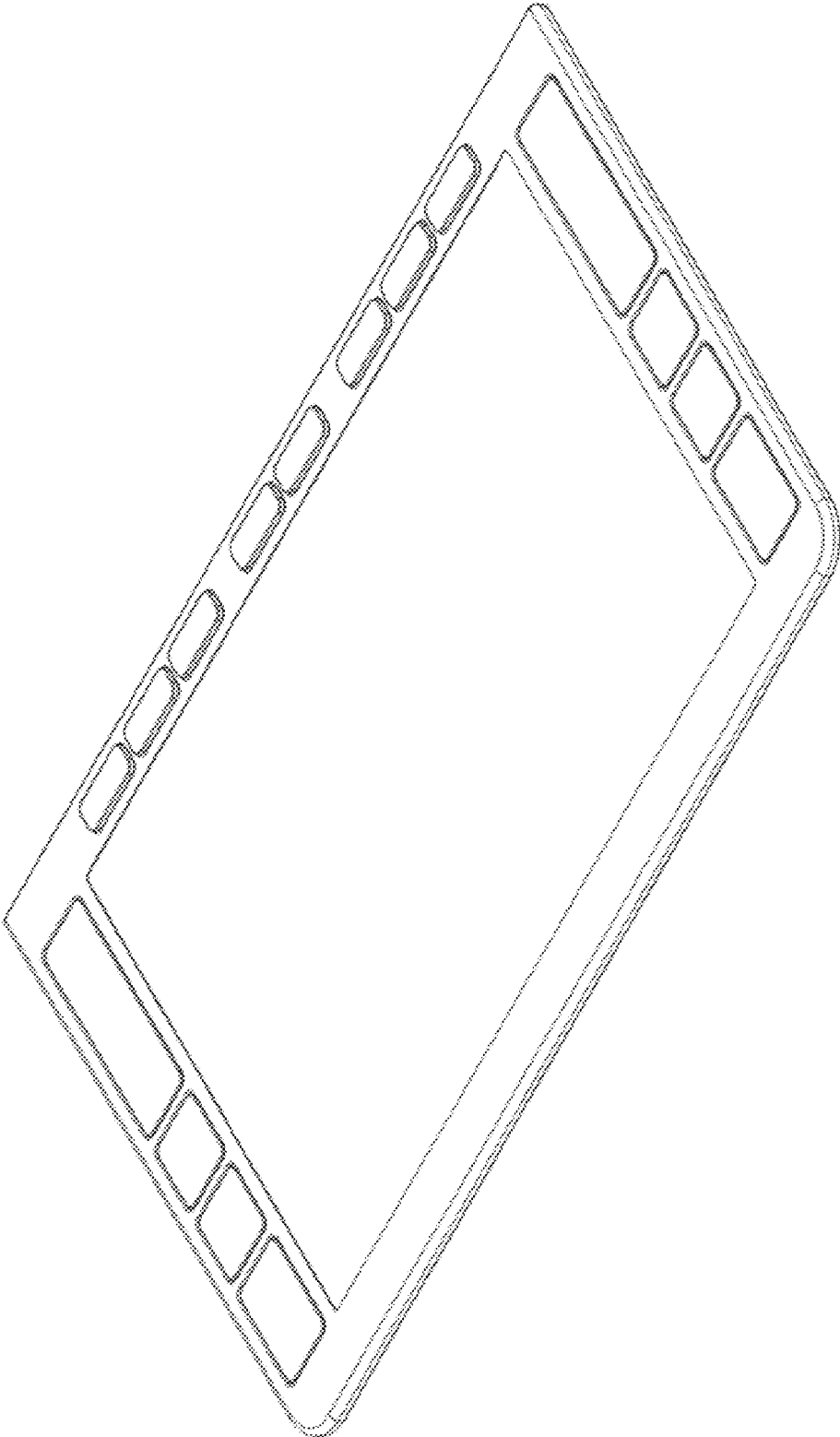


FIG. 10

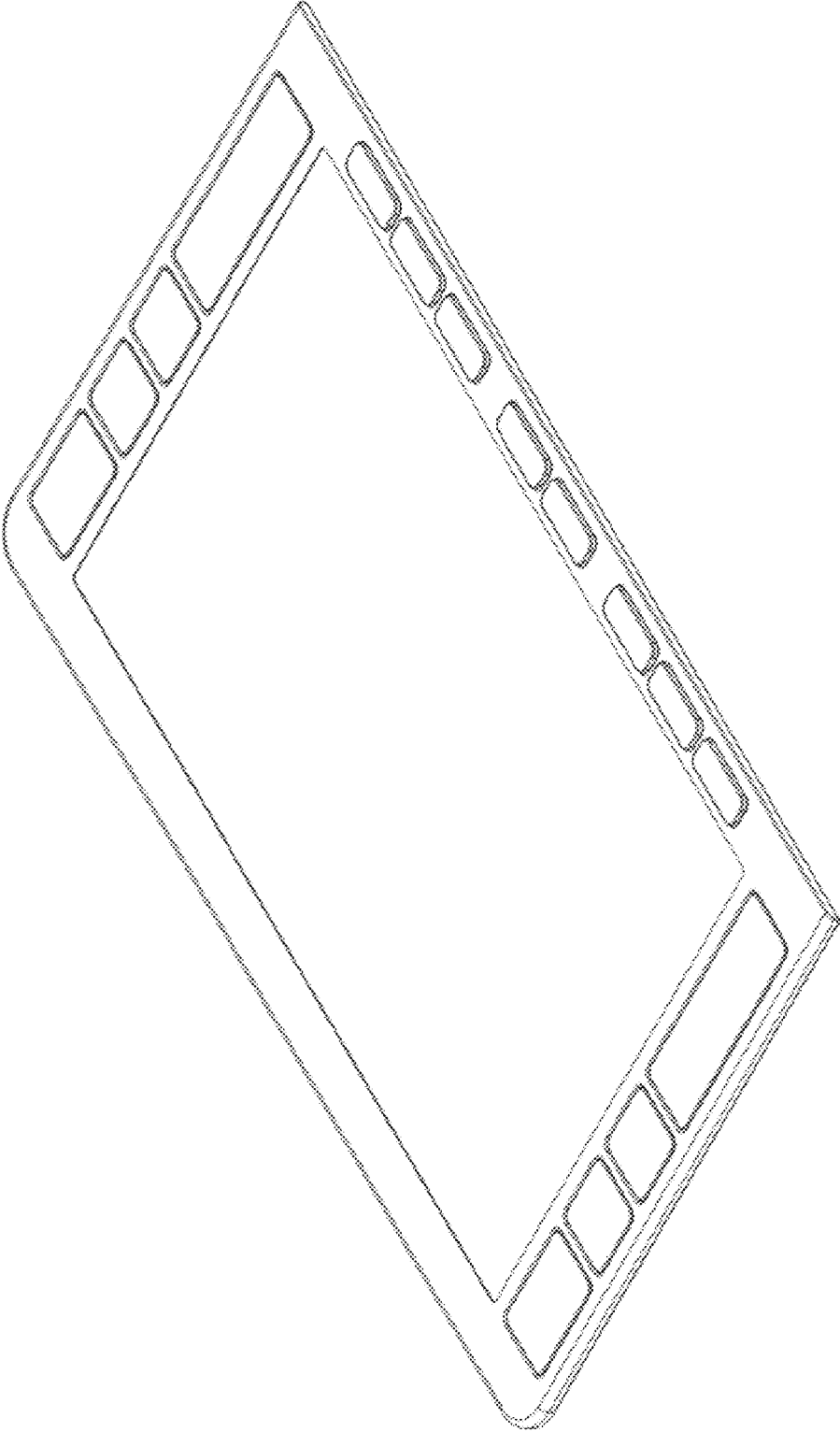


FIG. 11

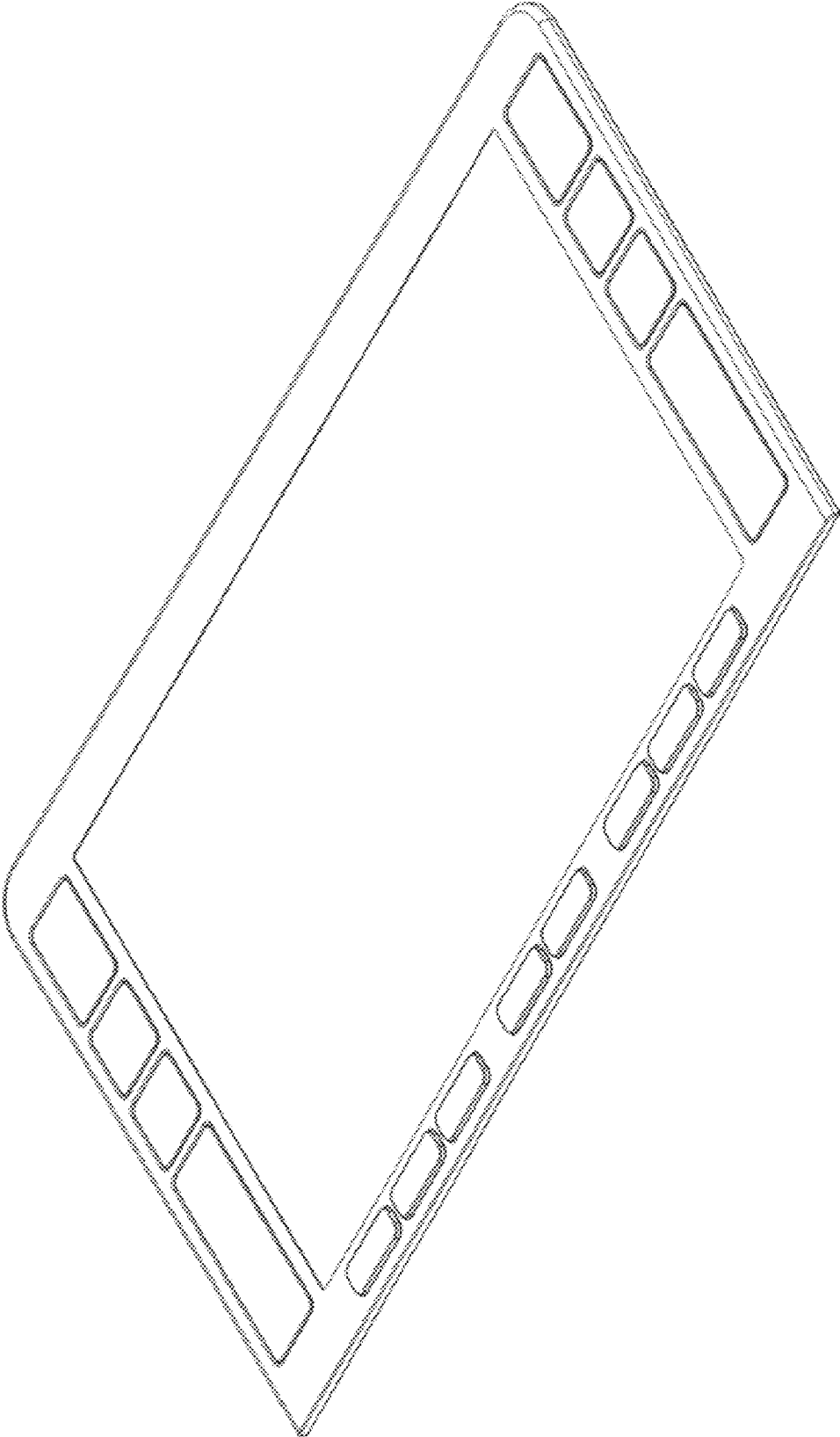


FIG. 12

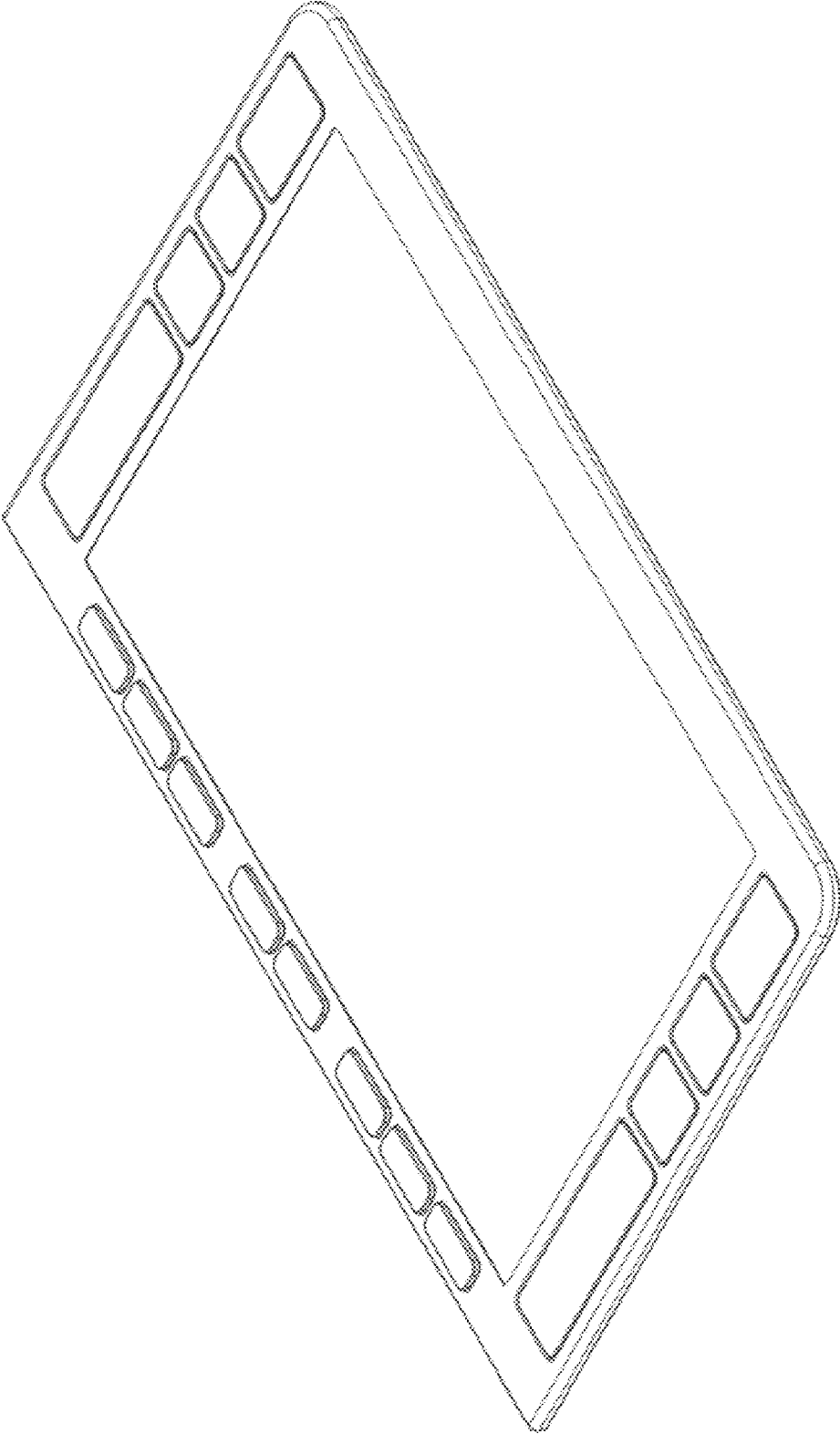


FIG. 13

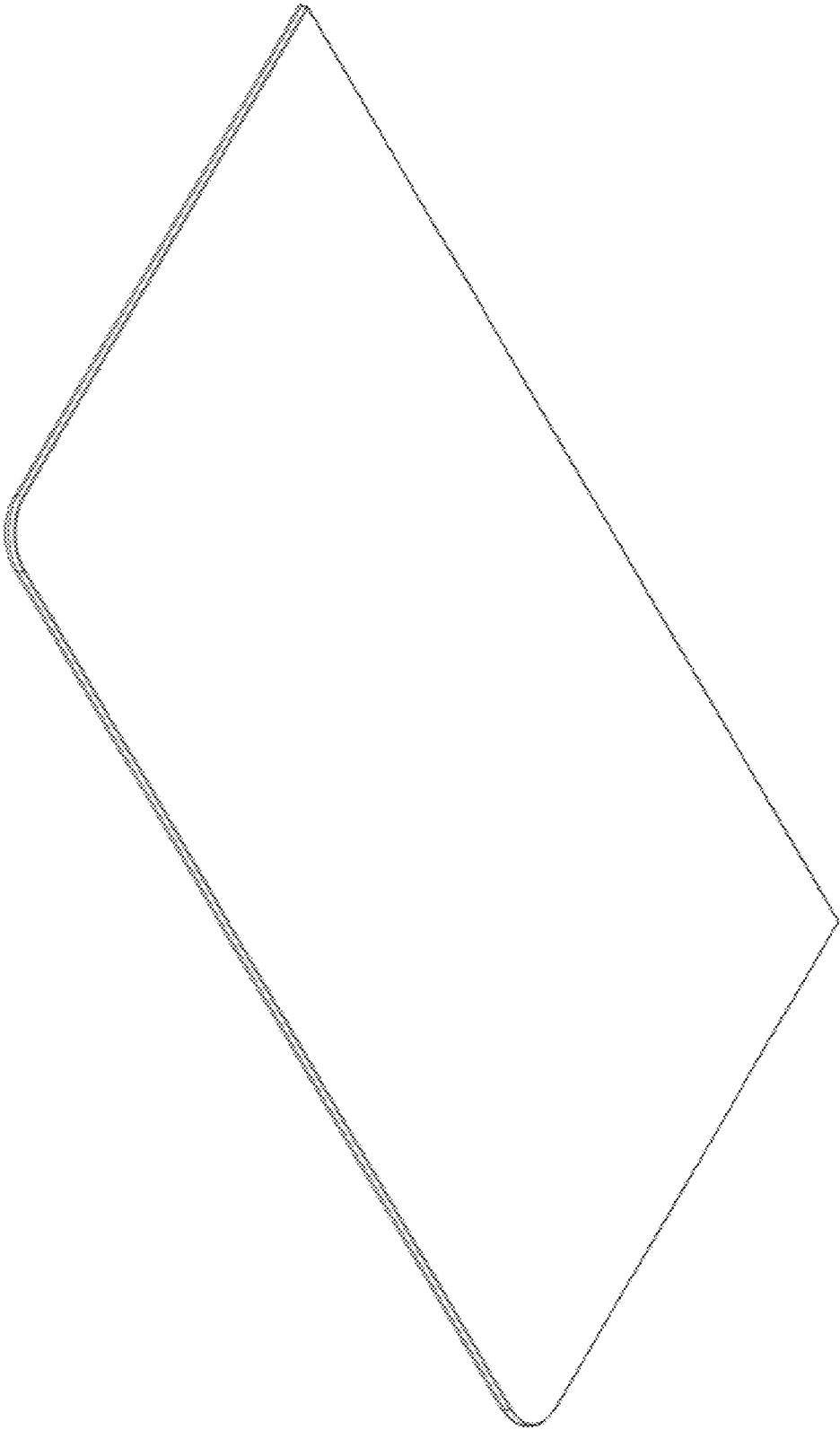


FIG. 14

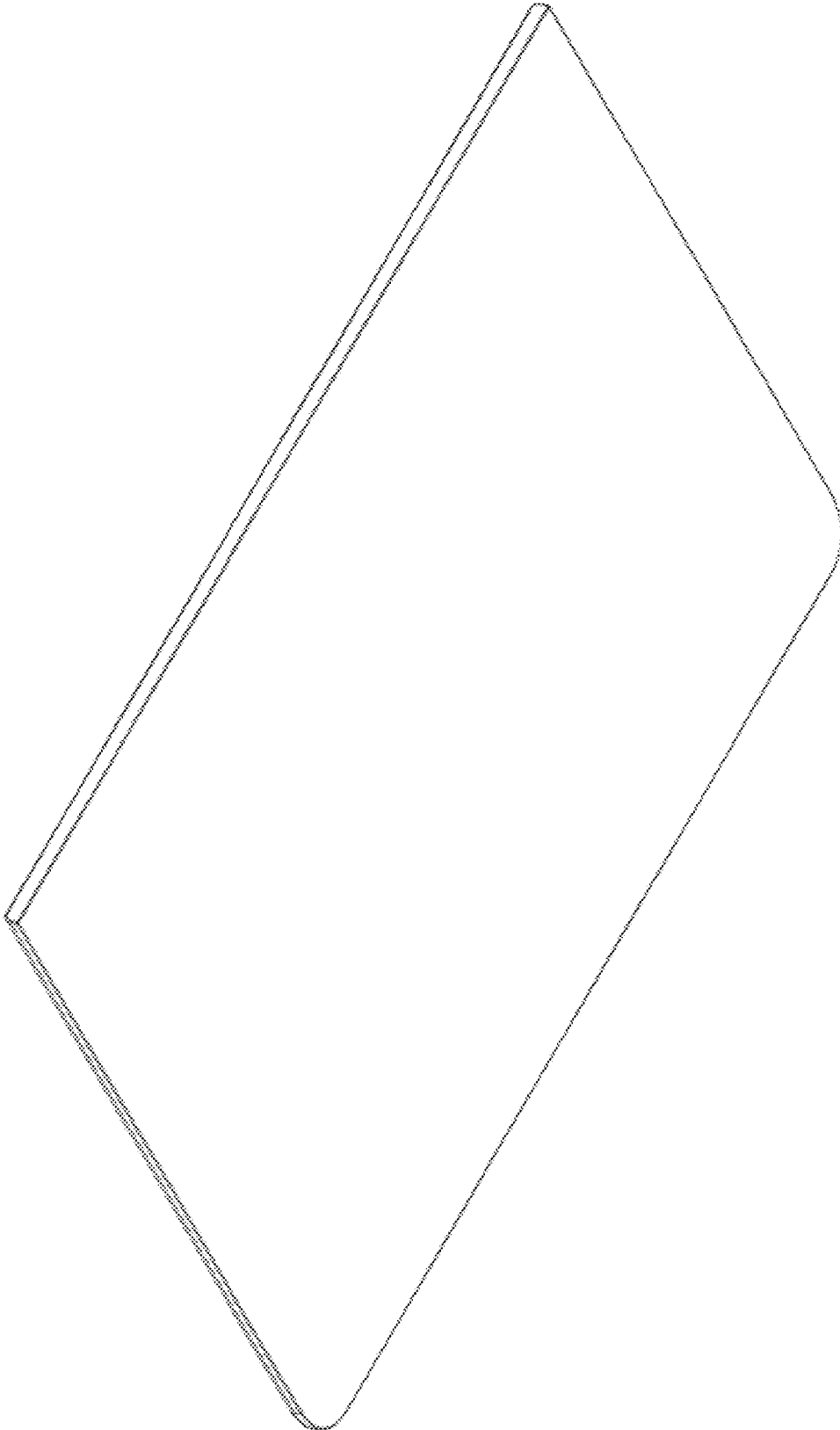


FIG. 15

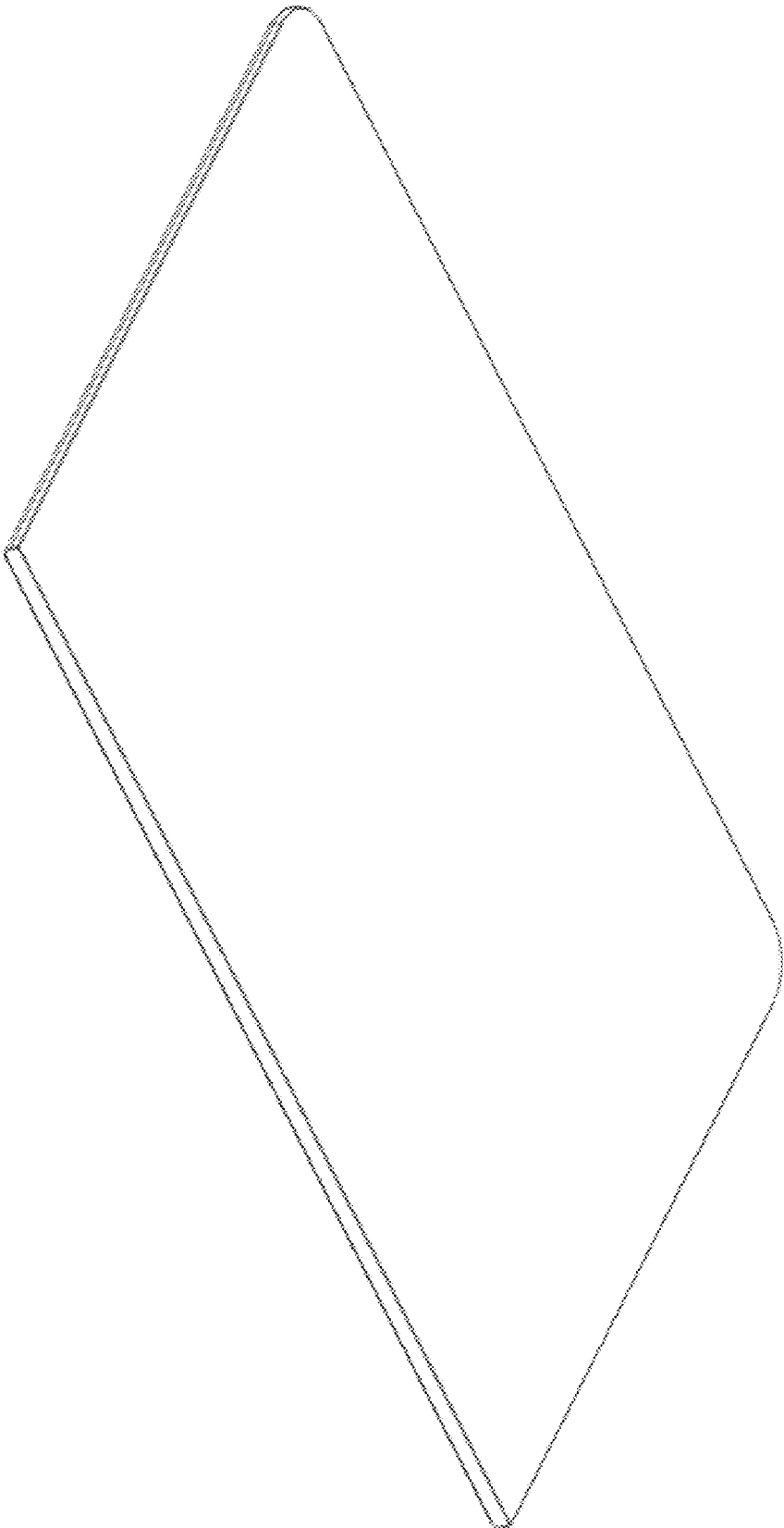


FIG. 16

