



US00D354792S

# United States Patent [19] Gill

[11] Patent Number: Des. 354,792

[45] Date of Patent: \*\* Jan. 24, 1995

[54] FENCE POST ANCHOR

[76] Inventor: Frank Gill, Bloomington, Calif.

[\*\*] Term: 14 Years

[21] Appl. No.: 9,315

[22] Filed: Jun. 10, 1993

[52] U.S. Cl. .... D25/126

[58] Field of Search ..... D25/38-45,  
D25/126-131; 248/228, 229, 156; 256/DIG. 5,  
22, 34, 47, 65

[56] References Cited

### U.S. PATENT DOCUMENTS

D. 314,328	2/1991	Cobb .....	D25/44
3,491,985	1/1970	Grimsley .....	256/47
3,920,221	11/1975	Berry et al. ....	256/65
4,357,001	11/1982	Schmanski et al. .	
4,553,741	11/1985	Creasy et al. .	

4,722,514	2/1988	Pettit .	
4,830,341	5/1989	Arteav et al. ....	256/65
4,831,798	5/1989	Otteson .....	D25/126

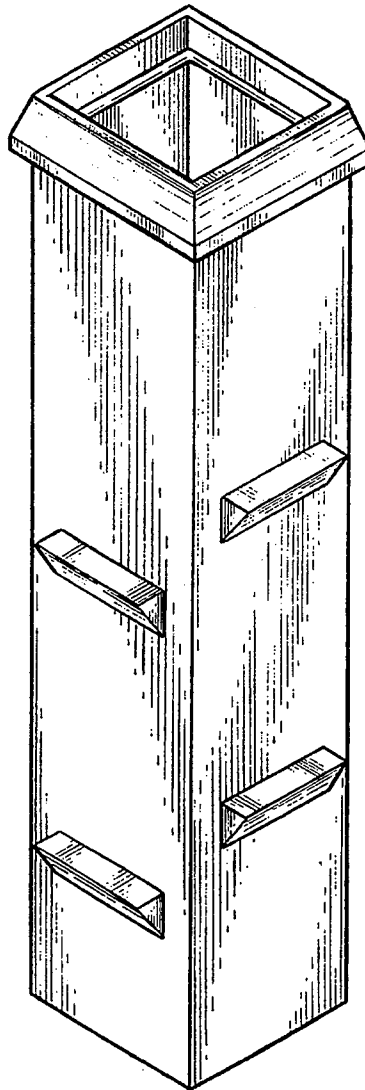
Primary Examiner—A. Hugo Word  
Assistant Examiner—Doris Clark  
Attorney, Agent, or Firm—Terry M. Gernstein

[57] CLAIM

The ornamental design for a fence post anchor, as shown and described.

### DESCRIPTION

FIG. 1 is a front, top and side perspective view of the fence post anchor showing my new design; FIG. 2 is a front elevational view thereof, the rear being a mirror image of the front shown in FIG. 2; FIG. 3 is a side elevational view thereof, the side opposite being a mirror image of the side shown in FIG. 3; FIG. 4 is a top plan view thereof; and, FIG. 5 is a bottom plan view thereof.



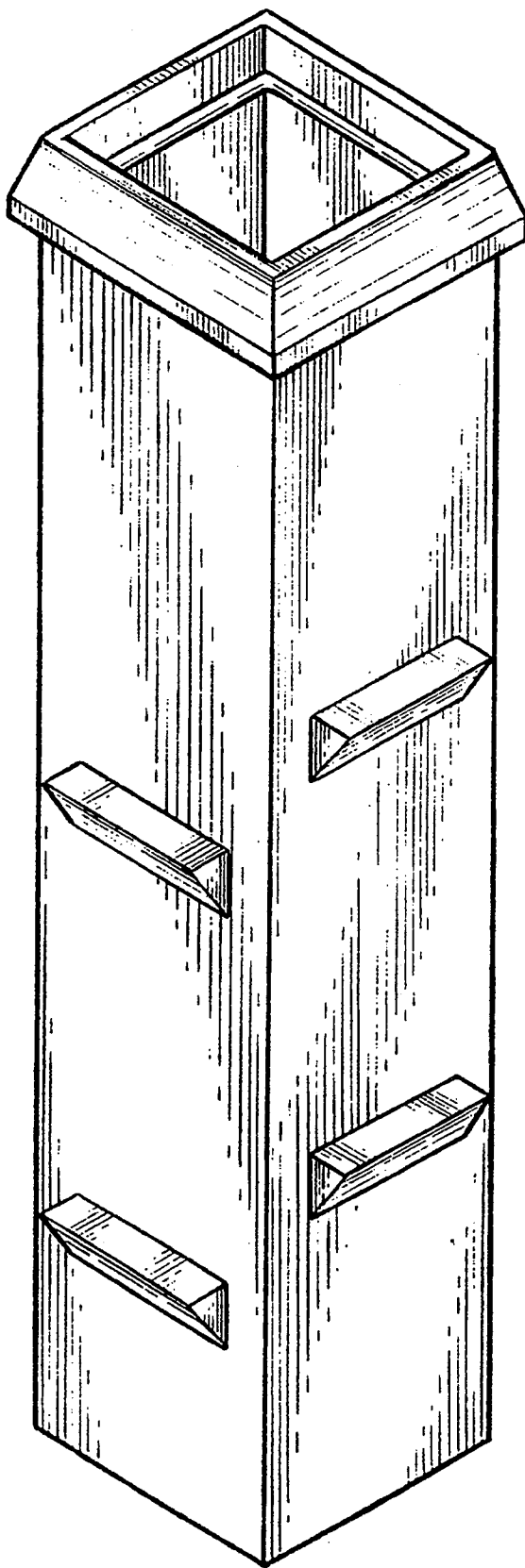


FIG. 1

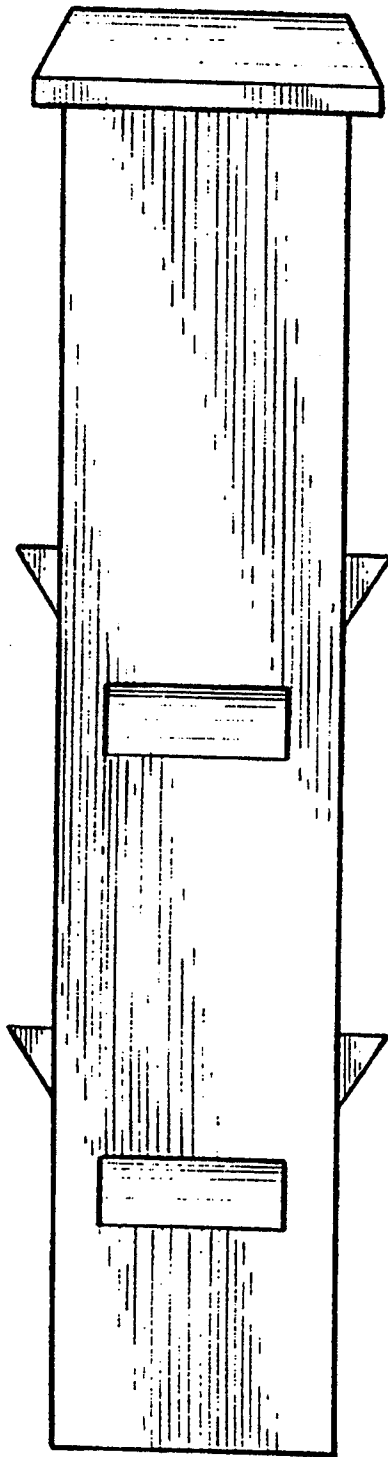


FIG. 2

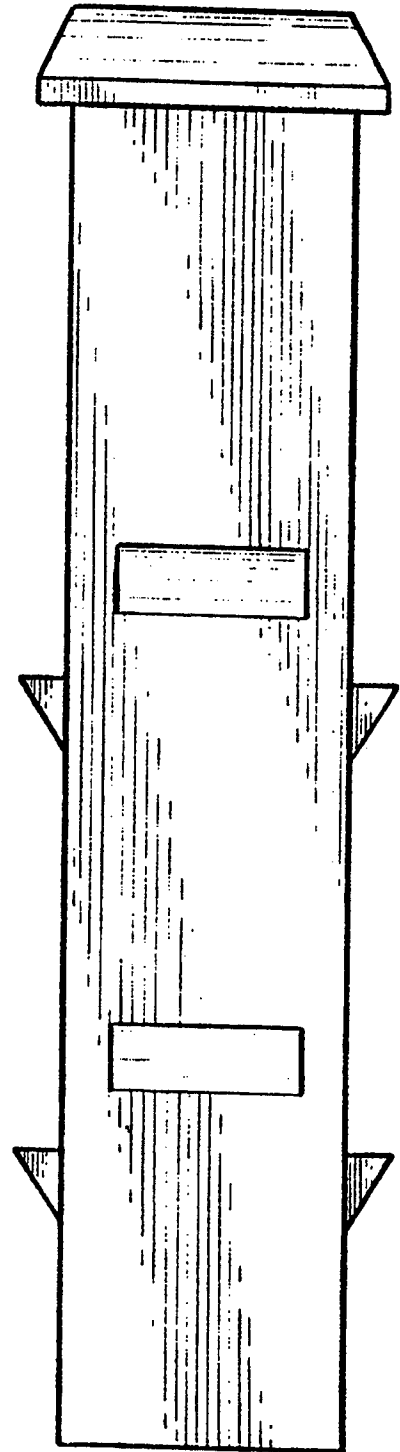


FIG. 3

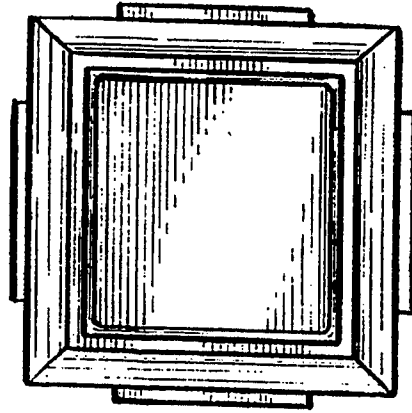


FIG. 4

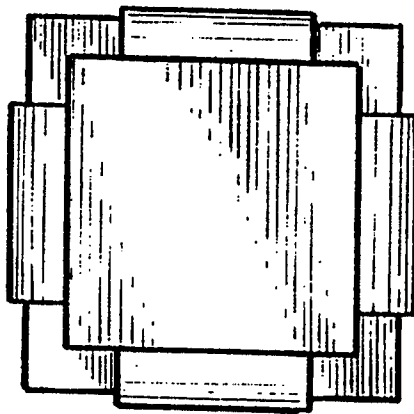


FIG. 5