



(51) International Patent Classification:

F04C 29/02 (2006.01) F04C 18/16 (2006.01)  
F04C 2/107 (2006.01) F04C 29/12 (2006.01)

(21) International Application Number:

PCT/US2012/024241

(22) International Filing Date:

8 February 2012 (08.02.2012)

(25) Filing Language:

English

(26) Publication Language:

English

(30) Priority Data:

13/024,356 10 February 2011 (10.02.2011) US

(71) Applicant (for all designated States except US): **TRANE INTERNATIONAL INC.** [US/US]; 1 Centennial Avenue, Piscataway, NJ 08854-3921 (US).

(72) Inventors; and

(75) Inventors/Applicants (for US only): **HEGER, Joseph** [US/US]; W2845 Shorewood Court, West Salem, WI 54669 (US). **MAYFIELD, Robert** [US/US]; 109 Chi Chi Drive, Pueblo West, CO 81007 (US).

(74) Agent: **WEITZER, Glen, A.**; Michael Best & Friedrich LLP, 100 East Wisconsin Avenue, Suite 3300, Milwaukee, WI 53202-4108 (US).

(81) Designated States (unless otherwise indicated, for every kind of national protection available): AE, AG, AL, AM, AO, AT, AU, AZ, BA, BB, BG, BH, BR, BW, BY, BZ, CA, CH, CL, CN, CO, CR, CU, CZ, DE, DK, DM, DO, DZ, EC, EE, EG, ES, FI, GB, GD, GE, GH, GM, GT, HN, HR, HU, ID, IL, IN, IS, JP, KE, KG, KM, KN, KP, KR, KZ, LA, LC, LK, LR, LS, LT, LU, LY, MA, MD, ME, MG, MK, MN, MW, MX, MY, MZ, NA, NG, NI, NO, NZ, OM, PE, PG, PH, PL, PT, QA, RO, RS, RU, RW, SC, SD, SE, SG, SK, SL, SM, ST, SV, SY, TH, TJ, TM, TN, TR, TT, TZ, UA, UG, US, UZ, VC, VN, ZA, ZM, ZW.

(84) Designated States (unless otherwise indicated, for every kind of regional protection available): ARIPO (BW, GH, GM, KE, LR, LS, MW, MZ, NA, RW, SD, SL, SZ, TZ, UG, ZM, ZW), Eurasian (AM, AZ, BY, KG, KZ, MD, RU, TJ, TM), European (AL, AT, BE, BG, CH, CY, CZ, DE, DK, EE, ES, FI, FR, GB, GR, HR, HU, IE, IS, IT, LT, LU, LV, MC, MK, MT, NL, NO, PL, PT, RO, RS, SE, SI, SK, SM, TR), OAPI (BF, BJ, CF, CG, CI, CM, GA, GN, GQ, GW, ML, MR, NE, SN, TD, TG).

[Continued on next page]

(54) Title: LUBRICANT CONTROL VALVE FOR A SCREW COMPRESSOR

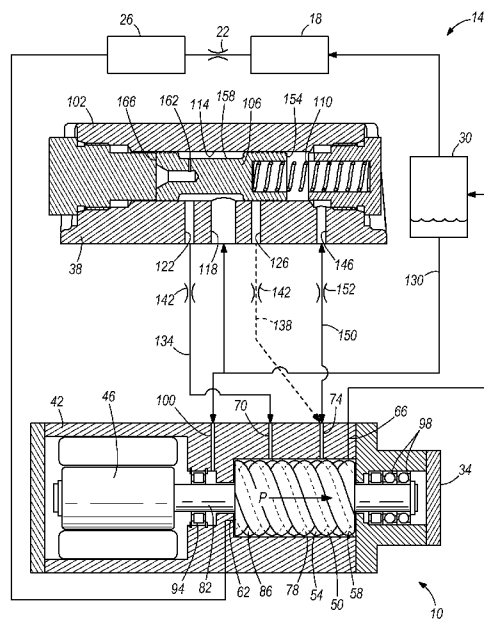


FIG. 1

(57) Abstract: A compressor system includes a lubricant reservoir, a screw compressor, and a valve. The screw compressor includes a housing defining a compression chamber having a suction port, a discharge port, a first lubricant feed port located between the suction port and the discharge port, and a second lubricant feed port located between the discharge port and the first lubricant feed port. The valve is in fluid communication with the lubricant reservoir, the first lubricant feed port via a first lubricant feed passageway, and the second lubricant feed port via a second lubricant feed passageway. The valve is movable between a first position and a second position. In the first position, the valve fluidly connects the lubricant reservoir to the first lubricant feed passageway to direct lubricant to the first lubricant feed port. In the second position, the valve fluidly connects the lubricant reservoir to the second lubricant feed passageway to direct lubricant to the second lubricant feed port.





**Published:**

**(88) Date of publication of the international search report:**

1 November 2012

- *with international search report (Art. 21(3))*
- *before the expiration of the time limit for amending the claims and to be republished in the event of receipt of amendments (Rule 48.2(h))*

**A. CLASSIFICATION OF SUBJECT MATTER***F04C 29/02(2006.01)i, F04C 2/107(2006.01)i, F04C 18/16(2006.01)i, F04C 29/12(2006.01)i*

According to International Patent Classification (IPC) or to both national classification and IPC

**B. FIELDS SEARCHED**

Minimum documentation searched (classification system followed by classification symbols)

F04C 29/02; F15B 11/16; F04C 14/18

Documentation searched other than minimum documentation to the extent that such documents are included in the fields searched

Korean utility models and applications for utility models

Japanese utility models and applications for utility models

Electronic data base consulted during the international search (name of data base and, where practicable, search terms used)

eKOMPASS(KIPO internal) &amp; Keywords:compressor, lubricant, reservoir, screw

**C. DOCUMENTS CONSIDERED TO BE RELEVANT**

Category*	Citation of document, with indication, where appropriate, of the relevant passages	Relevant to claim No.
A	US 05957676 A (PEETERS; GUIDO) 28 September 1999 see column 3, line 8 - column 6, line 9.	1-20
A	JP 1988-176689 A (MATSUSHITA ELECTRIC IND CO LTD) 20 July 1988 see page 3, line 1 - page 35, line 4 and figure 1.	1-20
A	US 2010-0205952 A1 (YAMAMURO SHIGEAKI et al.) 19 August 2010 see paragraph 78 - paragraph 193 and figure 2.	1-20

 Further documents are listed in the continuation of Box C. See patent family annex.

\* Special categories of cited documents:

"A" document defining the general state of the art which is not considered to be of particular relevance

"E" earlier application or patent but published on or after the international filing date

"L" document which may throw doubts on priority claim(s) or which is cited to establish the publication date of citation or other special reason (as specified)

"O" document referring to an oral disclosure, use, exhibition or other means

"P" document published prior to the international filing date but later than the priority date claimed

"T" later document published after the international filing date or priority date and not in conflict with the application but cited to understand the principle or theory underlying the invention

"X" document of particular relevance; the claimed invention cannot be considered novel or cannot be considered to involve an inventive step when the document is taken alone

"Y" document of particular relevance; the claimed invention cannot be considered to involve an inventive step when the document is combined with one or more other such documents, such combination being obvious to a person skilled in the art

"&amp;" document member of the same patent family

Date of the actual completion of the international search

23 AUGUST 2012 (23.08.2012)

Date of mailing of the international search report

**24 AUGUST 2012 (24.08.2012)**

Name and mailing address of the ISA/KR

Korean Intellectual Property Office  
189 Cheongsa-ro, Seo-gu, Daejeon Metropolitan  
City, 302-701, Republic of Korea

Facsimile No. 82-42-472-7140

Authorized officer

KIM, DONG JIN

Telephone No. 82-42-481-5415



**INTERNATIONAL SEARCH REPORT**

Information on patent family members

International application No.

**PCT/US2012/024241**

Patent document cited in search report	Publication date	Patent family member(s)	Publication date
US 05957676 A	28.09.1999	EP 0814267 A1 JP 10-054384 A	29.12.1997 24.02.1998
JP 1988-176689 A	20.07.1988	JP 1906335 C JP 6031632 B	24.02.1995 27.04.1994
US 2010-0205952 A1	19.08.2010	DE 102009056624 A1 JP 2010-190071 A	26.08.2010 02.09.2010