



US00D802159S

(12) **United States Design Patent**
Fawdington et al.

(10) **Patent No.:** **US D802,159 S**

(45) **Date of Patent:** **** Nov. 7, 2017**

(54) **TRAY ASSEMBLY FOR SYRINGES AND AMPOULES**

D718,468 S * 11/2014 So D24/224
8,887,943 B1 * 11/2014 Miller B65D 1/34
206/557

(71) Applicant: **Uvamed Ltd.**, Loughborough (GB)

D729,403 S * 5/2015 Hage D24/227
(Continued)

(72) Inventors: **Keith Fawdington**, Loughborough (GB); **Shashi Gupta**, Loughborough (GB)

Primary Examiner — Susan Bennett Hattan
Assistant Examiner — Rebecca Tsehaye
(74) *Attorney, Agent, or Firm* — Hoffman & Baron, LLP

(73) Assignee: **Uvamed Inc.**, Davenport, FL (US)

(57) **CLAIM**

(**) Term: **15 Years**

The ornamental design for the tray assembly for syringes and ampoules, as shown and described.

(21) Appl. No.: **29/529,109**

DESCRIPTION

(22) Filed: **Jun. 3, 2015**

(51) **LOC (10) Cl.** **24-02**

(52) **U.S. Cl.**
USPC **D24/227**

(58) **Field of Classification Search**
USPC D24/107, 216, 227, 121, 123, 224;
D7/601, 354, 363; 220/912; 206/557,
206/528
CPC B65D 1/34; A47J 36/022; A61M 5/008
See application file for complete search history.

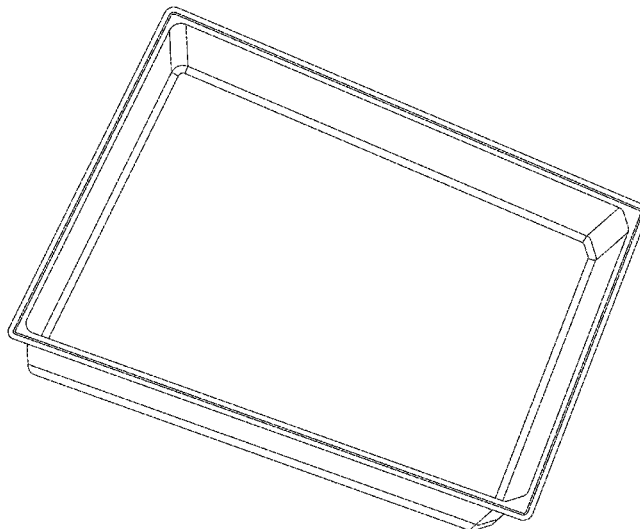
FIG. 1 is a perspective view of an outer tray of the tray assembly for syringes and ampoules;
FIG. 2 is a front elevational view of an outer tray shown in FIG. 1;
FIG. 3 is a left side elevational view of the outer tray shown in FIG. 1;
FIG. 4 is a right side elevational view of the outer tray shown in FIG. 1;
FIG. 5 is top plan view of the outer tray shown in FIG. 1;
FIG. 6 is top plan view of the outer tray shown in FIG. 1, according to a first alternate embodiment;
FIG. 7 is a bottom plan view of the outer tray shown in FIG. 1;
FIG. 8 is a top plan view of the tray assembly for syringes and ampoules, showing an inner tray positioned within the outer tray, with the front, left side, right side, and bottom elevational views thereof being identical to FIGS. 2, 3, 4, and 7 respectively; and,
FIG. 9 is perspective view of the tray assembly for syringes and ampoules as shown in FIG. 8.
The ornamental design that is claimed is shown in solid lines in the drawings. The broken lines in the drawings are for illustrative purposes only and form no part of the claimed design.

(56) **References Cited**

U.S. PATENT DOCUMENTS

4,508,768 A * 4/1985 Kornely A47J 36/022
206/516
4,717,038 A * 1/1988 Anders A47J 36/022
220/640
4,753,345 A * 6/1988 Goodsir A61M 5/008
206/365
D387,874 S * 12/1997 Vila D24/227
D638,137 S * 5/2011 Gross D24/227
D663,570 S * 7/2012 Sarnoff D7/354
D677,514 S * 3/2013 Sarnoff D7/354
D706,447 S * 6/2014 Brossette D24/227
8,741,443 B2 * 6/2014 Hilbish B65D 1/34
428/34.2

1 Claim, 9 Drawing Sheets



(56)

References Cited

U.S. PATENT DOCUMENTS

D732,187 S * 6/2015 Houkal D24/227
D767,783 S * 9/2016 McClelland D24/227

* cited by examiner

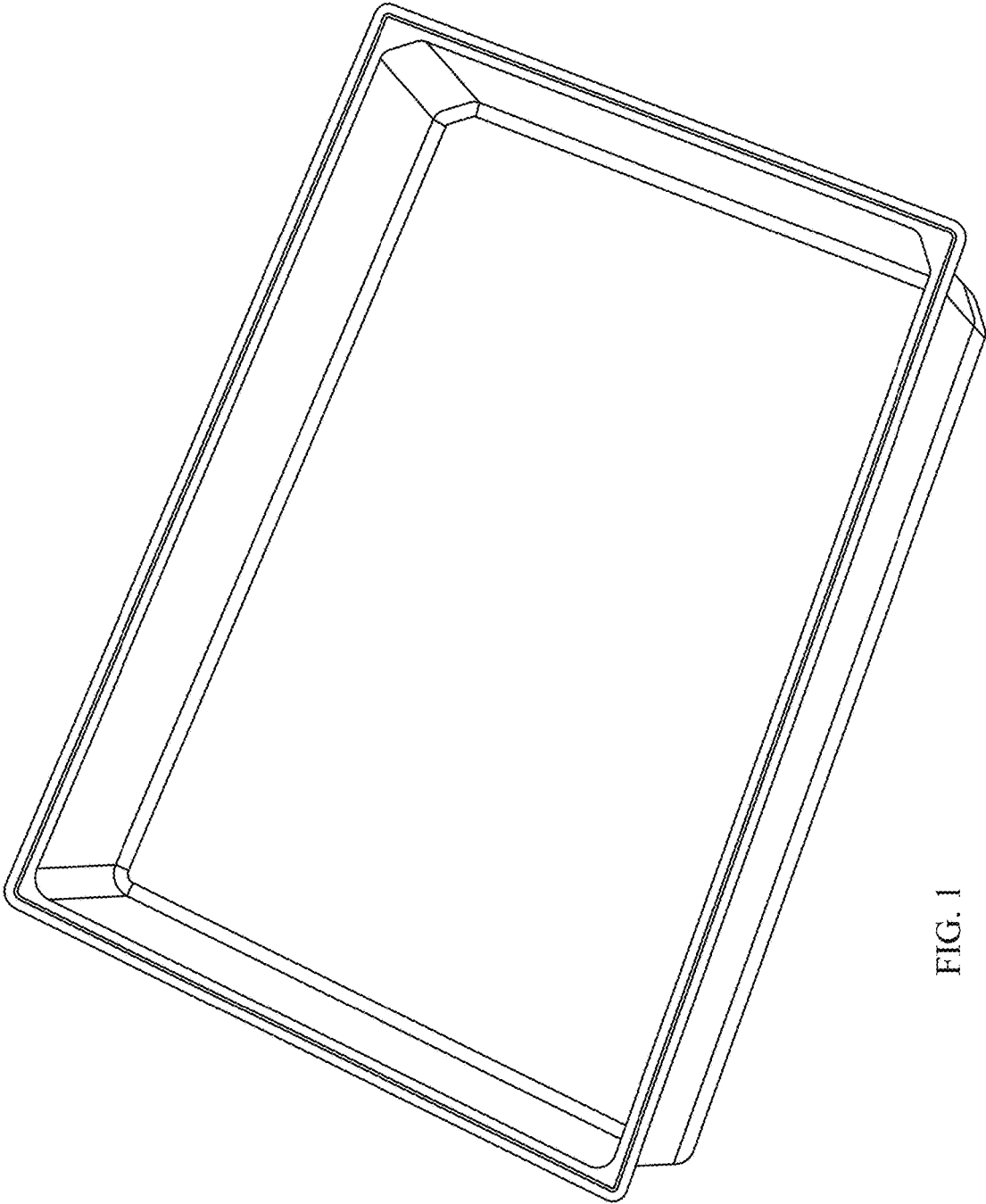


FIG. 1

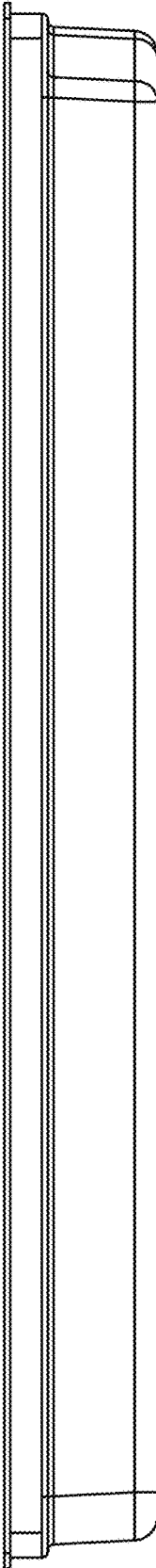


FIG. 2

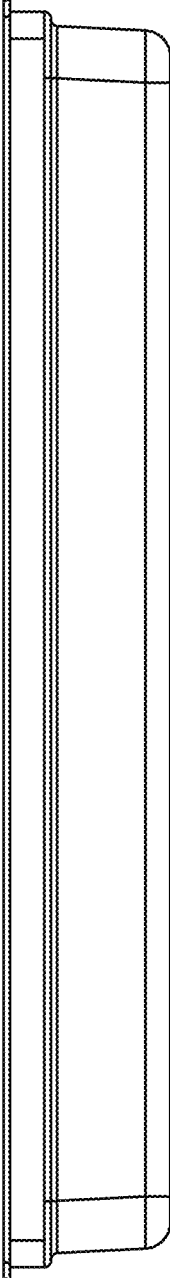


FIG. 3

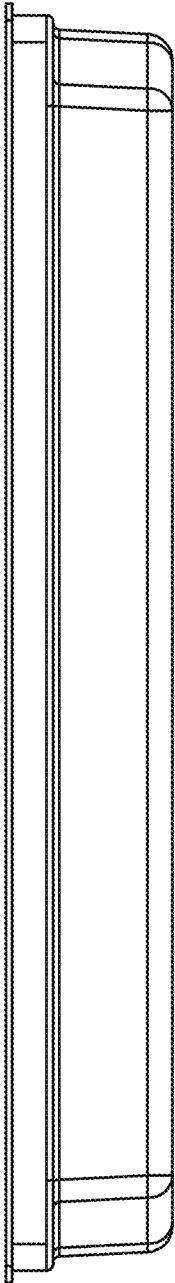


FIG. 4

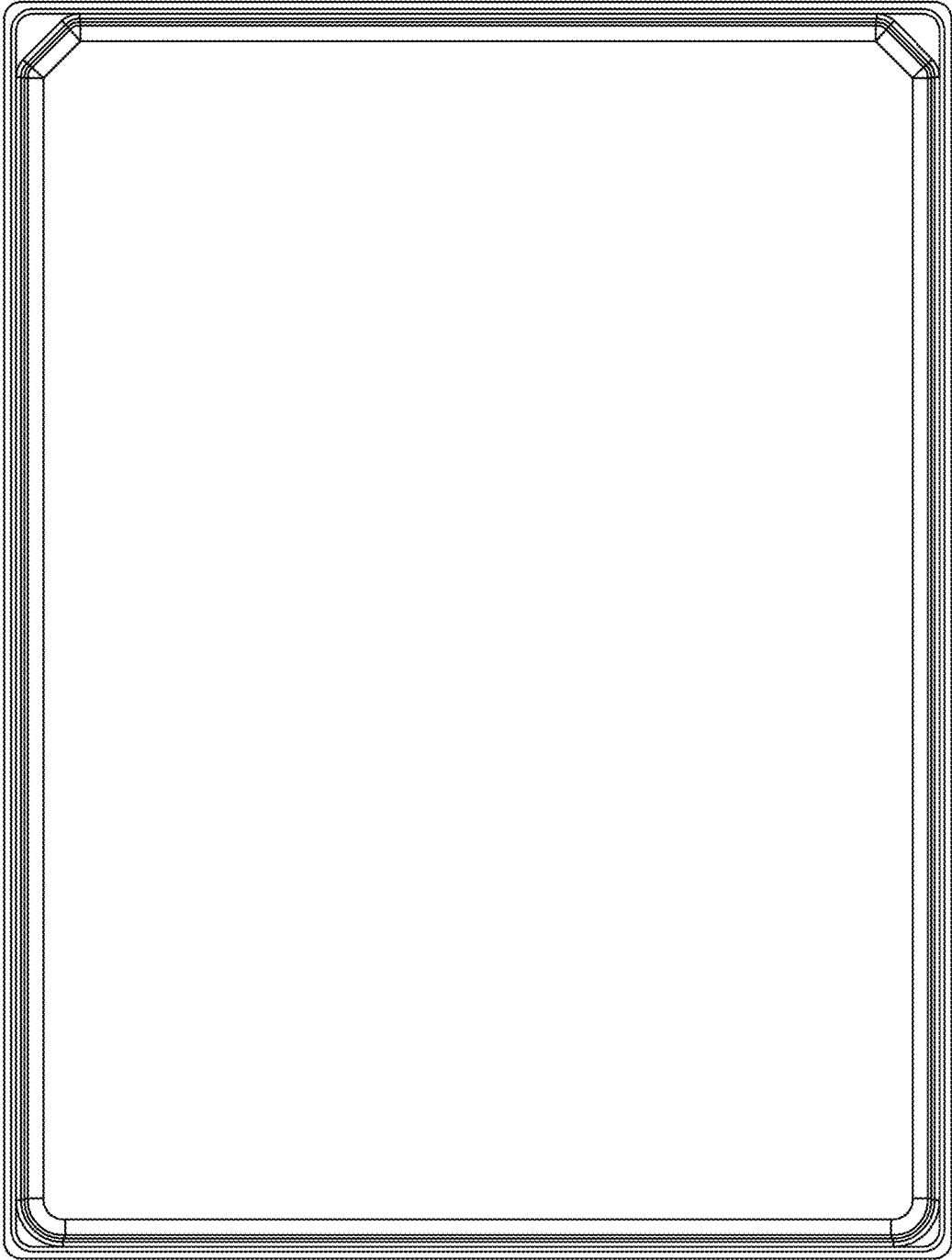


FIG. 5

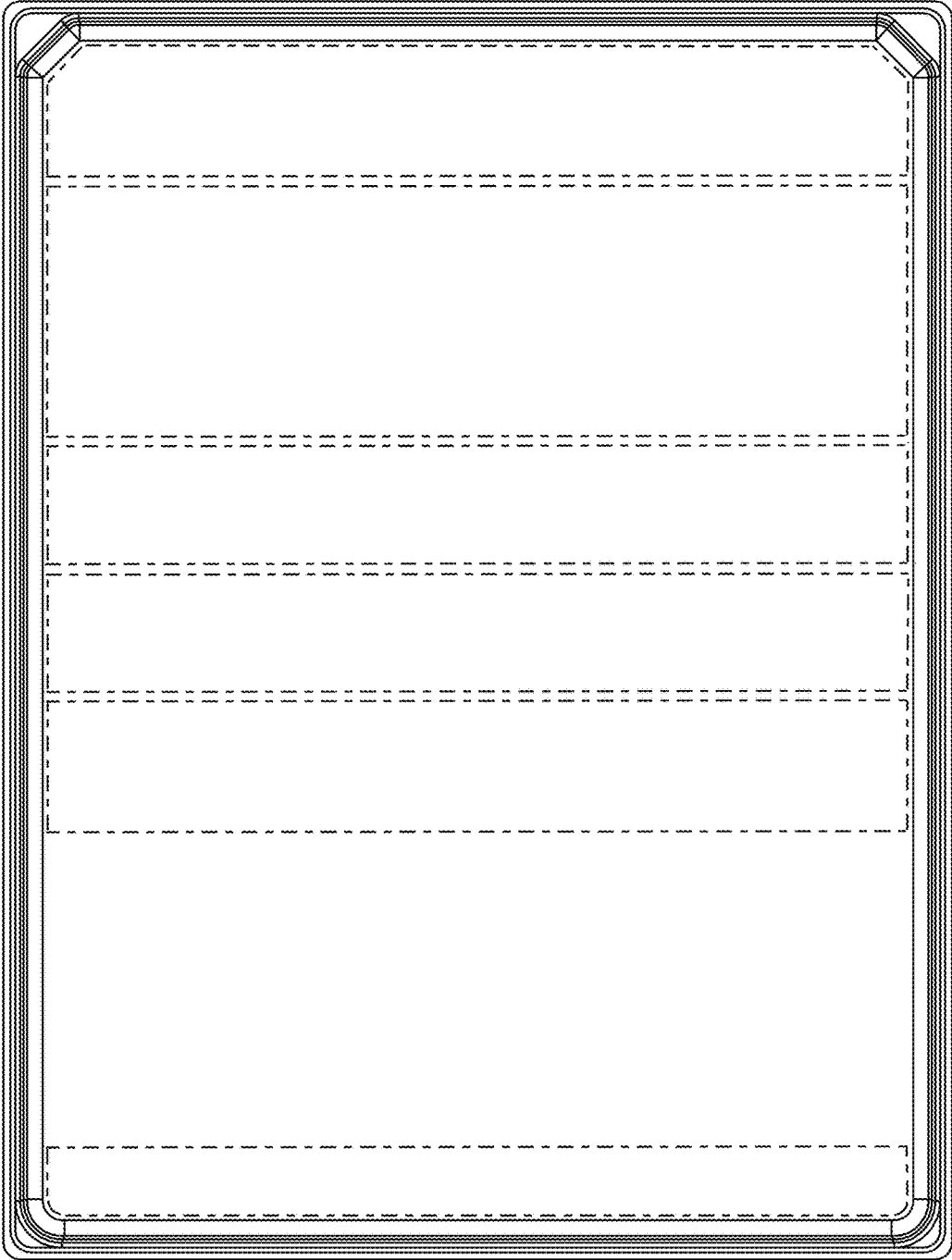


FIG. 6

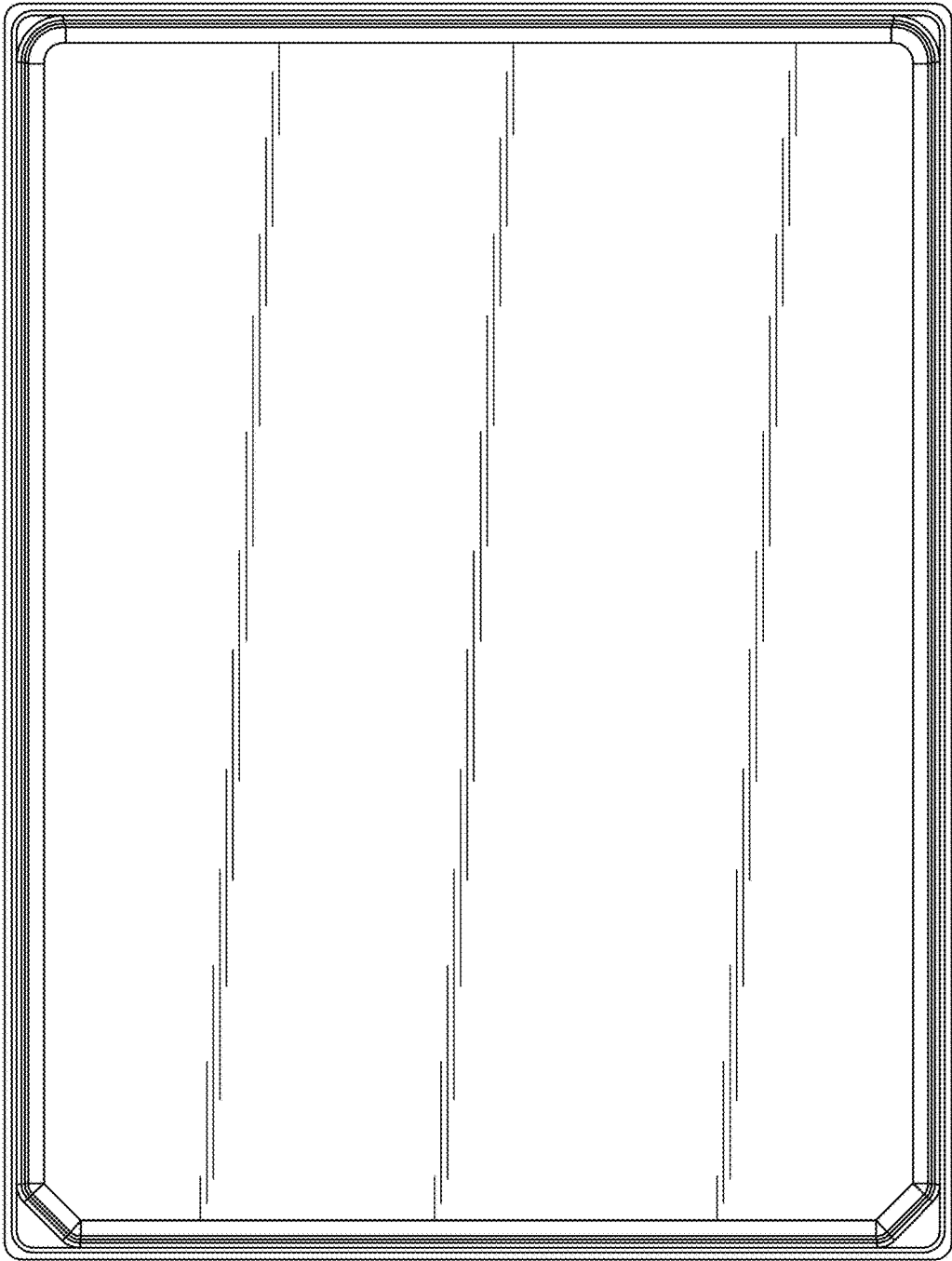


FIG. 7

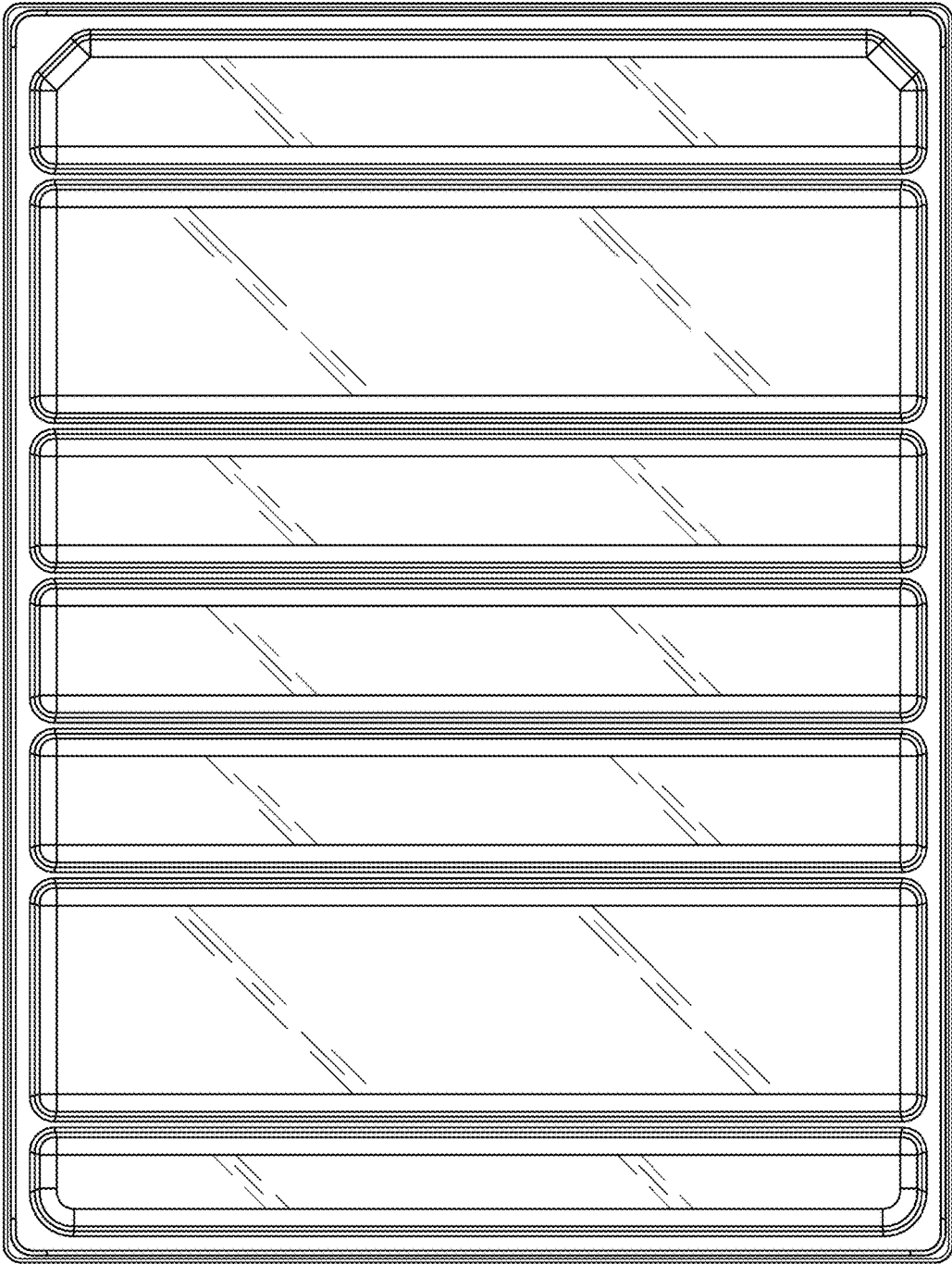


FIG. 8

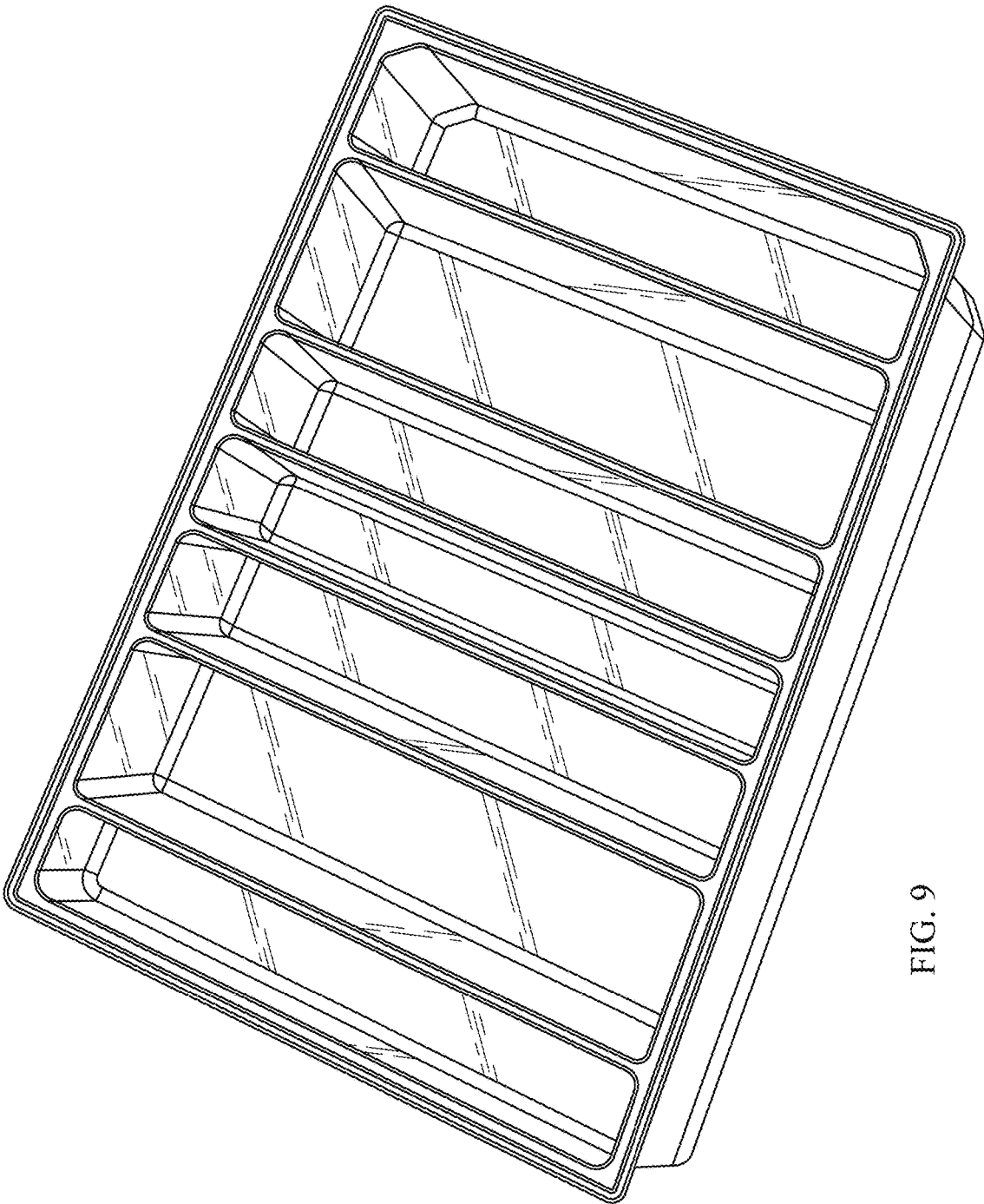


FIG. 9