



US00D705488S

(12) **United States Design Patent**
Cheng

(10) **Patent No.:** **US D705,488 S**

(45) **Date of Patent:** **** May 20, 2014**

(54) **ULTRAVIOLET CURING DEVICE**

(71) Applicant: **Cosmex Co., Ltd.**, New Taipei (TW)

(72) Inventor: **Kuo-Chang Cheng**, New Taipei (TW)

(73) Assignee: **Cosmex Co., Ltd.**, New Taipei (TW)

(**) Term: **14 Years**

(21) Appl. No.: **29/465,184**

(22) Filed: **Aug. 26, 2013**

(51) **LOC (10) Cl.** **28-03**

(52) **U.S. Cl.**
USPC **D28/58; D28/54.1**

(58) **Field of Classification Search**

USPC D28/54.1, 56-58; 250/504 R-504 H,
250/492.1, 202; 132/73; D24/209-210;
34/275, 202, 90

See application file for complete search history.

(56) **References Cited**

U.S. PATENT DOCUMENTS

7,712,473 B1 * 5/2010 Robinson et al. 132/73
7,980,252 B2 * 7/2011 Yue 132/73.5
D643,576 S * 8/2011 Chan D28/58
D664,299 S * 7/2012 Ishida D28/54.1

D686,369 S * 7/2013 Horvath et al. D28/58
D690,467 S * 9/2013 Jing D28/58
2013/0333713 A1 * 12/2013 Mehta 132/75

OTHER PUBLICATIONS

Images for an Internet search for one finger gel curing lamp, Feb. 10, 2014.*

* cited by examiner

Primary Examiner — Jennifer Rivard

(57) **CLAIM**

The ornamental design for an ultraviolet curing device, as shown and described.

DESCRIPTION

FIG. 1 is a perspective view of an ultraviolet curing device showing my new design;

FIG. 2 is a front elevational view thereof;

FIG. 3 is a rear elevational view thereof;

FIG. 4 is a left elevational view thereof;

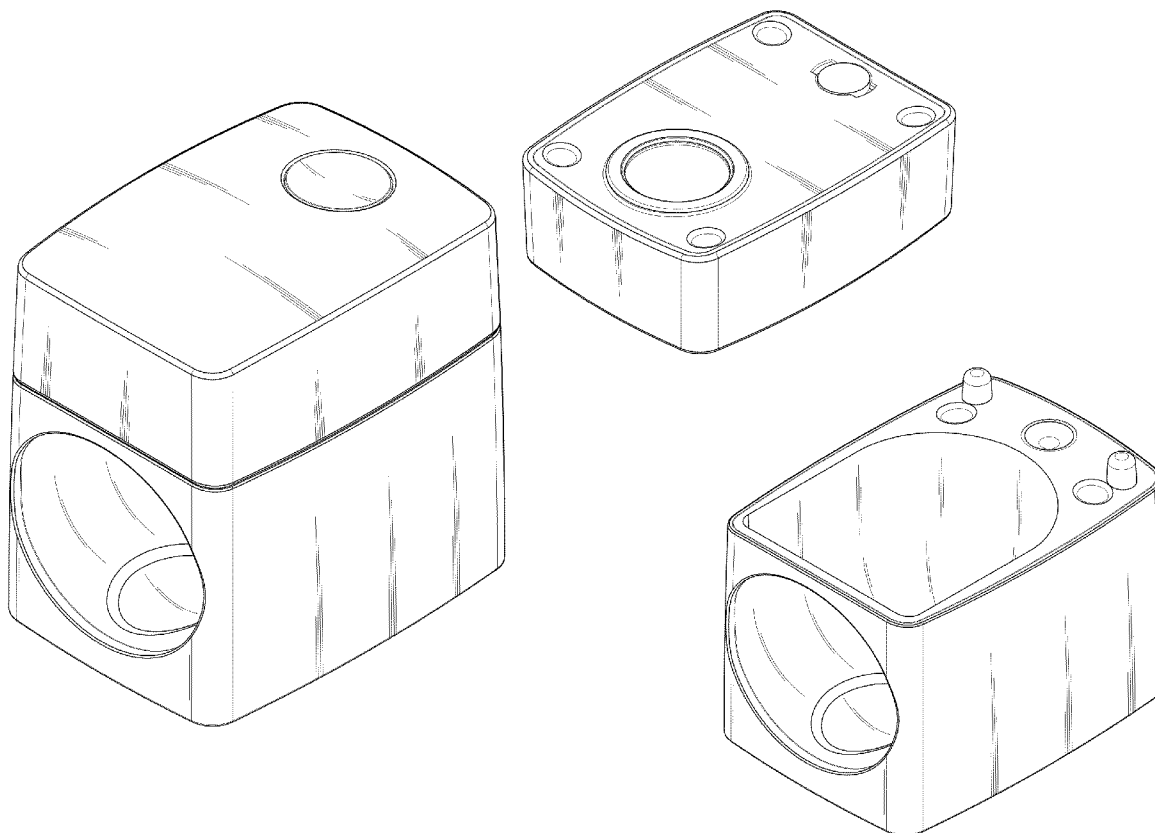
FIG. 5 is a right elevational view thereof;

FIG. 6 is a top view thereof;

FIG. 7 is a bottom view thereof; and,

FIG. 8 is a perspective view of the ultraviolet curing device showing that an upper part is disassembled therefrom.

1 Claim, 8 Drawing Sheets



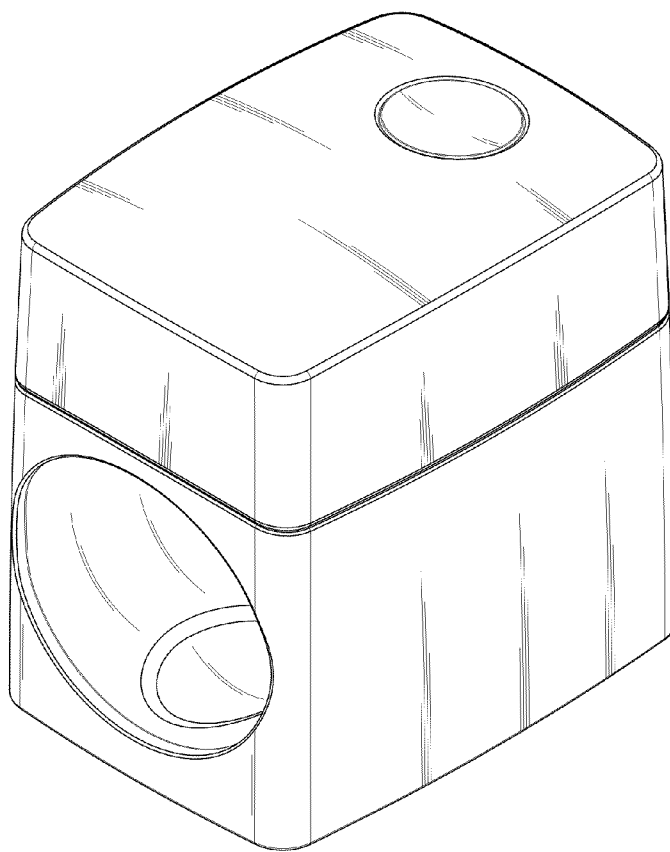


FIG. 1

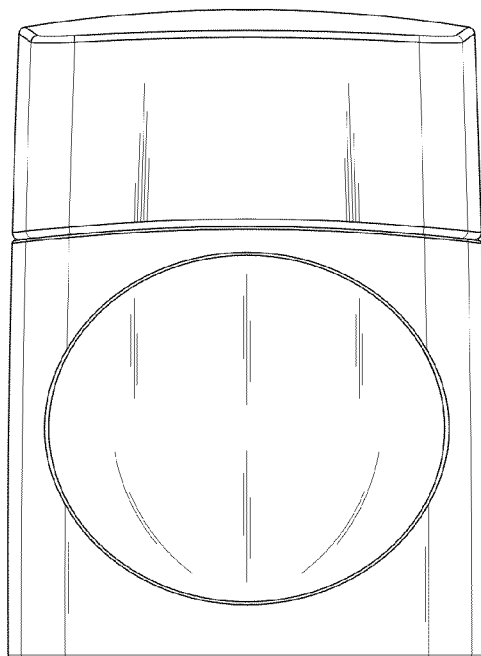


FIG. 2

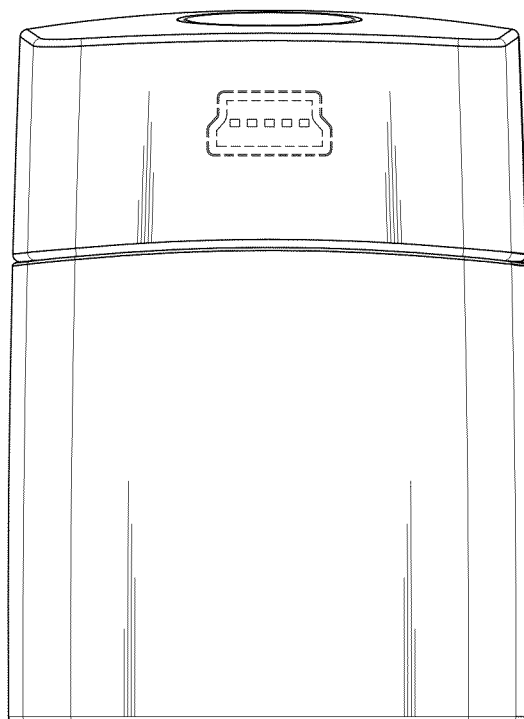


FIG. 3

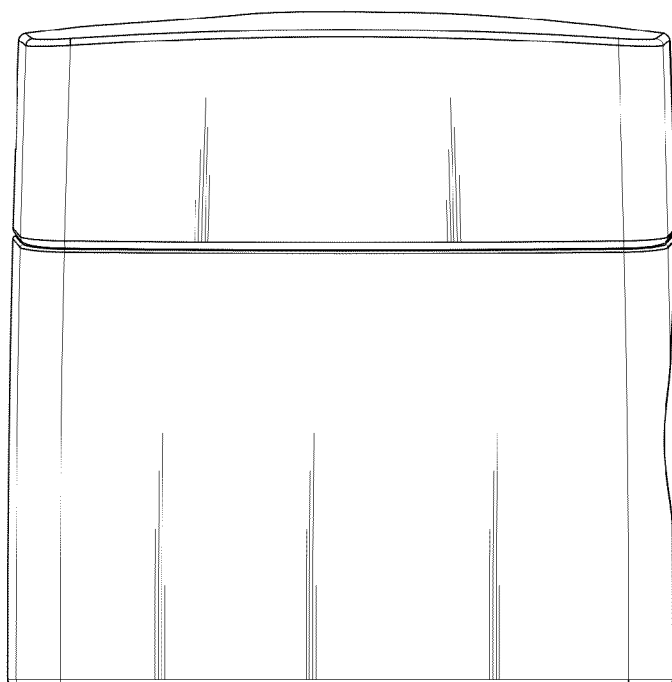


FIG. 4

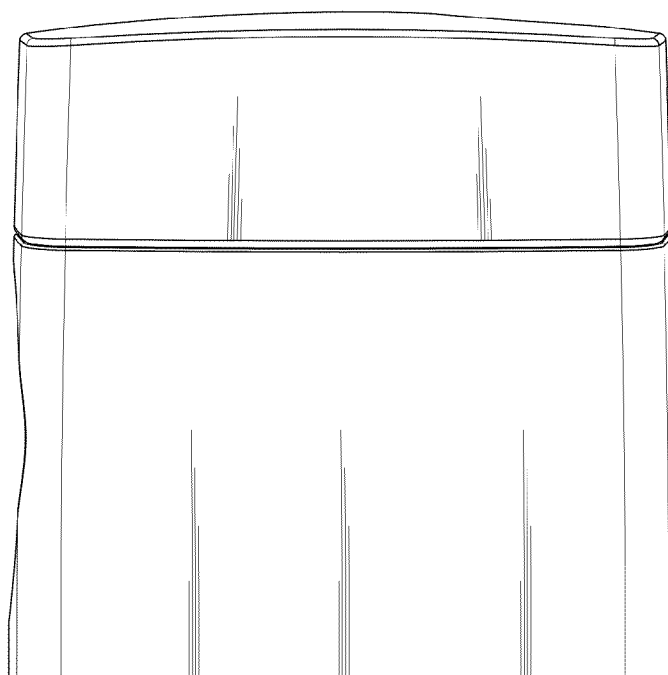


FIG. 5

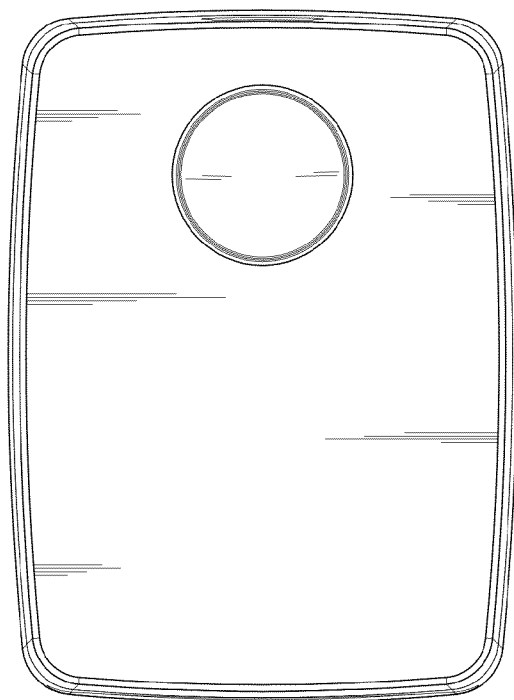


FIG. 6

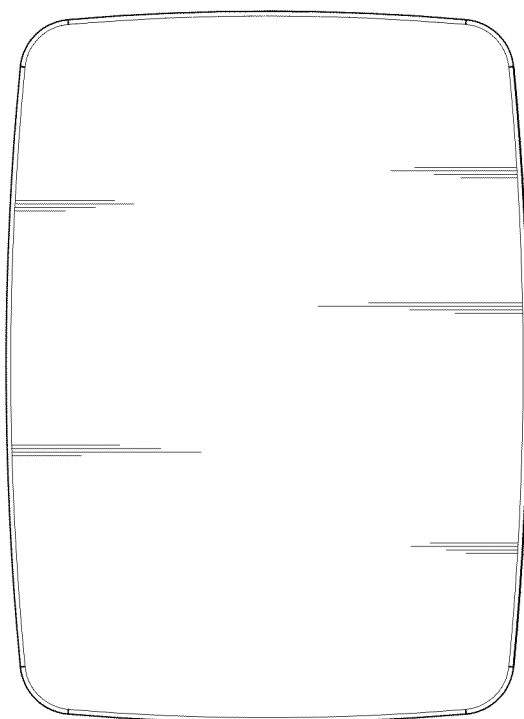


FIG. 7

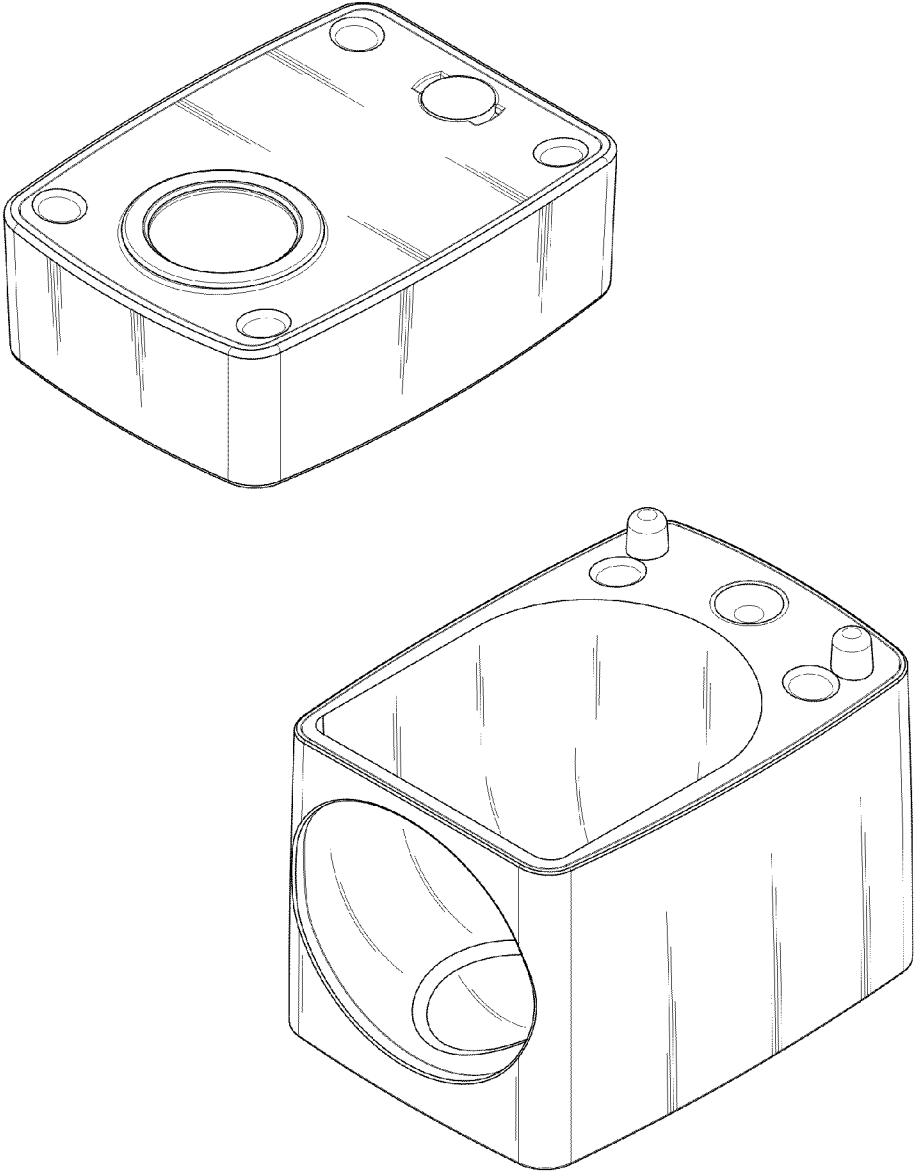


FIG. 8