



US00D744378S

(12) **United States Design Patent**  
**Bell**

(10) **Patent No.:** **US D744,378 S**

(45) **Date of Patent:** **\*\* Dec. 1, 2015**

(54) **COVER**

(71) Applicant: **Norman Brett Bell**, Mount Barker (AU)

(72) Inventor: **Norman Brett Bell**, Mount Barker (AU)

(\*\*) Term: **14 Years**

(21) Appl. No.: **29/481,013**

(22) Filed: **Jan. 31, 2014**

(30) **Foreign Application Priority Data**

Jul. 31, 2013 (AU) ..... 13675/2013

(51) **LOC (10) Cl.** ..... **12-10**

(52) **U.S. Cl.**  
USPC ..... **D12/106**

(58) **Field of Classification Search**

USPC ..... D6/601, 610, 611; D12/102-106, 167,  
D12/204, 212, 213, 401-405, 415-417  
CPC ..... B60J 11/00; B60J 11/04; B60J 11/06;  
B60J 11/025; B60R 19/42

See application file for complete search history.

(56) **References Cited**

**U.S. PATENT DOCUMENTS**

2,679,254 A \* 5/1954 Green ..... 135/88.05  
3,013,836 A \* 12/1961 Groh ..... 296/170  
D224,782 S \* 9/1972 Kerr ..... D12/401  
3,721,467 A \* 3/1973 Kerr ..... 296/182.1

D296,312 S \* 6/1988 Arnold ..... D12/106  
D367,248 S \* 2/1996 Christensen ..... D12/102  
5,791,361 A \* 8/1998 Chong ..... 135/88.01  
6,263,648 B1 \* 7/2001 Carlson ..... 56/1  
6,328,083 B1 \* 12/2001 Esterson et al. .... 150/154  
D466,752 S \* 12/2002 Rowe et al. .... D6/610  
D476,518 S \* 7/2003 Doppelt ..... D6/610  
7,467,784 B2 \* 12/2008 Turner ..... 254/394  
D626,891 S \* 11/2010 Smith ..... D12/102  
7,866,358 B1 \* 1/2011 Simms, II ..... 150/165

\* cited by examiner

*Primary Examiner* — Elizabeth Albert

(74) *Attorney, Agent, or Firm* — Harness, Dickey & Pierce,  
P.L.C.

(57) **CLAIM**

The ornamental design for a cover, as shown and described.

**DESCRIPTION**

FIG. 1 is a front perspective view of a cover showing my new design;

FIG. 2 is a rear perspective view of the design;

FIG. 3 is a side view of the design;

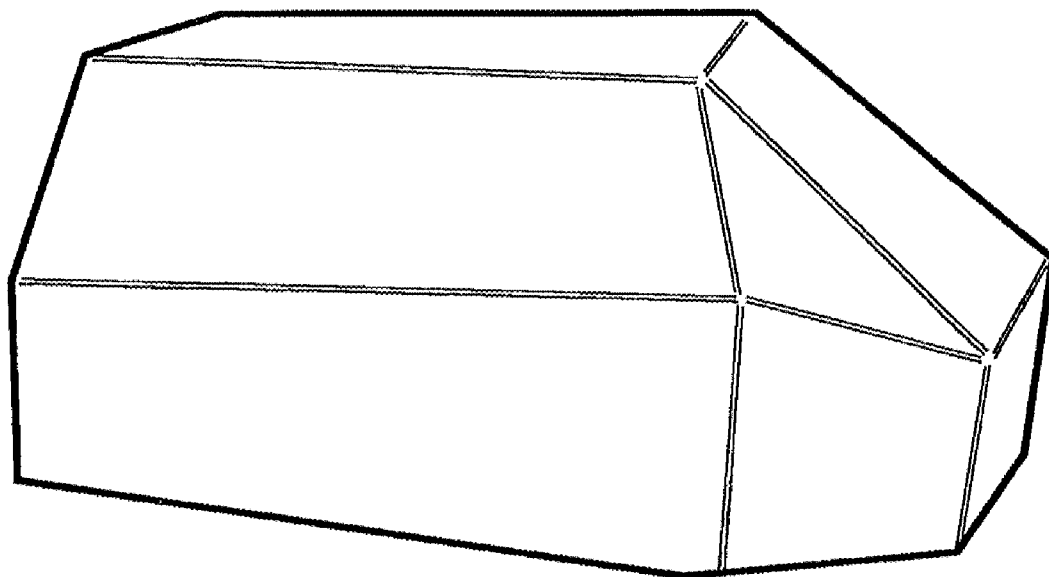
FIG. 4 is a plan view of the design;

FIG. 5 is a front view of the design; and,

FIG. 6 is a rear view of the design.

The broken lines showing the inside in FIG. 6 are included for the purpose of showing a portion of the cover that forms no part of the claimed design.

**1 Claim, 3 Drawing Sheets**



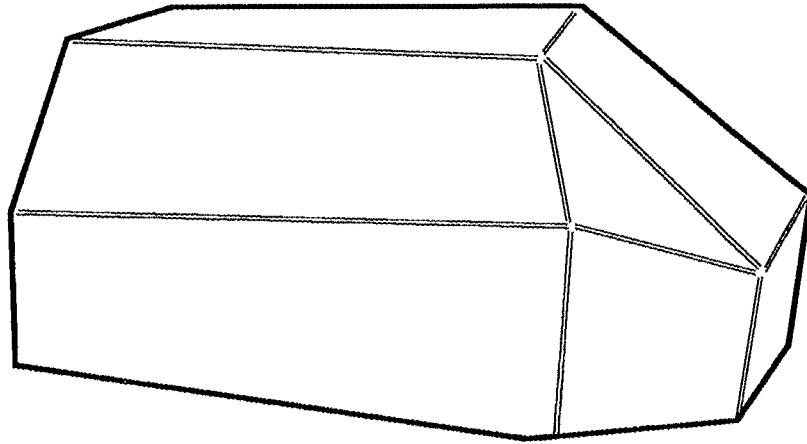


FIG. 1

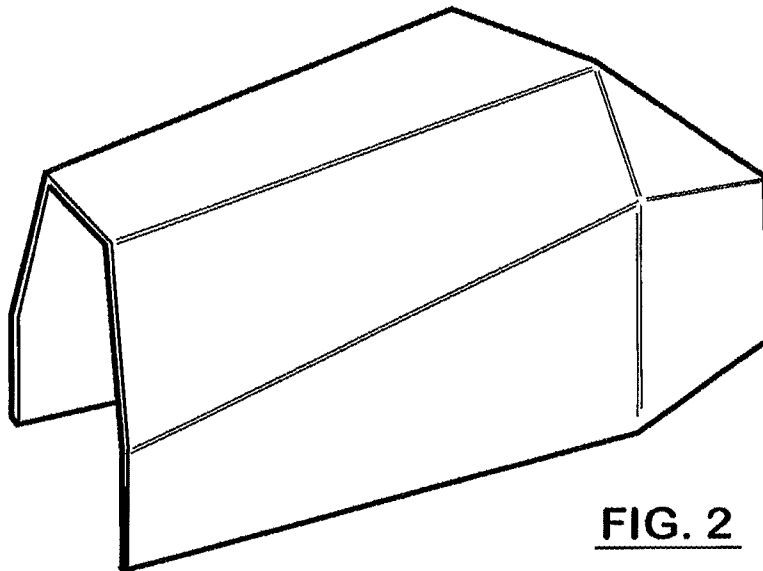


FIG. 2

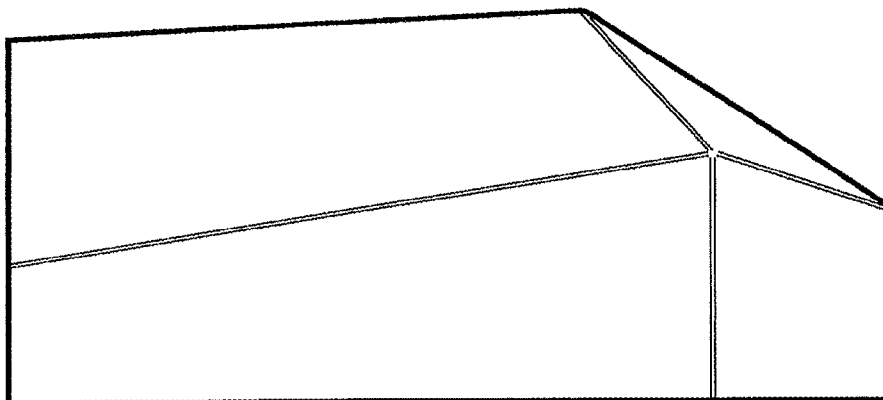


FIG. 3

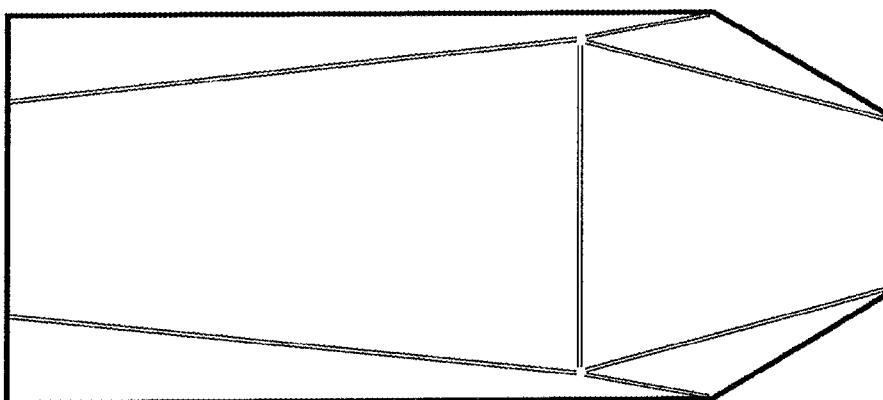


FIG. 4

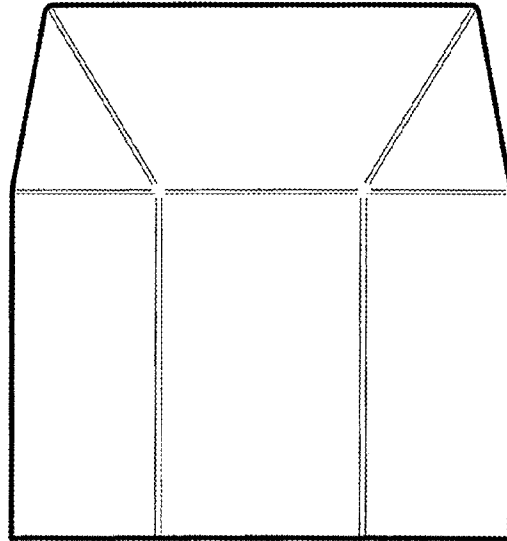


FIG. 5

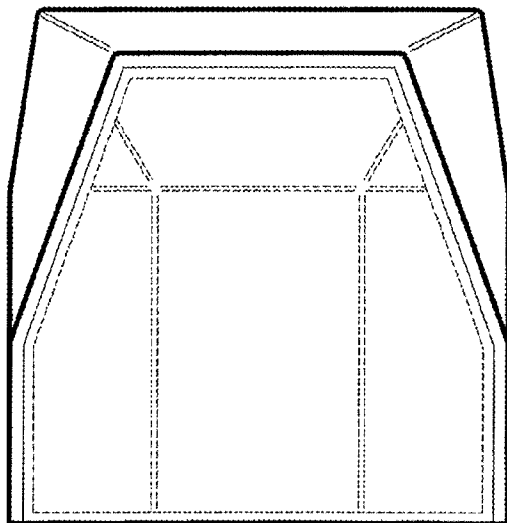


FIG. 6