

(19) World Intellectual Property Organization  
International Bureau



(43) International Publication Date  
25 November 2004 (25.11.2004)

PCT

(10) International Publication Number  
**WO 2004/100805 A1**

(51) International Patent Classification<sup>7</sup>: **A61B 17/16**

(21) International Application Number:  
PCT/IB2004/001712

(22) International Filing Date: 19 May 2004 (19.05.2004)

(25) Filing Language: English

(26) Publication Language: English

(30) Priority Data:  
10/441,148 19 May 2003 (19.05.2003) US

(71) Applicant (for all designated States except US): **PREC-IMED S.A.** [CH/CH]; 7, l'Echelette, CH-2534 Orvin (CH).

(72) Inventors; and

(75) Inventors/Applicants (for US only): **DESARZENS, Yves** [CH/CH]; Grand-Rue 12, CH-2606 Corgémont (CH). **LE-CHOT, André** [CH/CH]; Sous L'Eau-Belle 24, CH-2534 Orvin (CH).

(74) Agent: **MOETTELI, John**; Moeteli & Associés, Case Postale 486, CH-1211 Genève 12 (CH).

(81) Designated States (unless otherwise indicated, for every kind of national protection available): AE, AG, AL, AM, AT, AU, AZ, BA, BB, BG, BR, BW, BY, BZ, CA, CH, CN, CO, CR, CU, CZ, DE, DK, DM, DZ, EC, EE, EG, ES, FI, GB, GD, GE, GH, GM, HR, HU, ID, IL, IN, IS, JP, KE, KG, KP, KR, KZ, LC, LK, LR, LS, LT, LU, LV, MA, MD, MG, MK, MN, MW, MX, MZ, NA, NI, NO, NZ, OM, PG, PH, PL, PT, RO, RU, SC, SD, SE, SG, SK, SL, SY, TJ, TM, TN, TR, TT, TZ, UA, UG, US, UZ, VC, VN, YU, ZA, ZM, ZW.

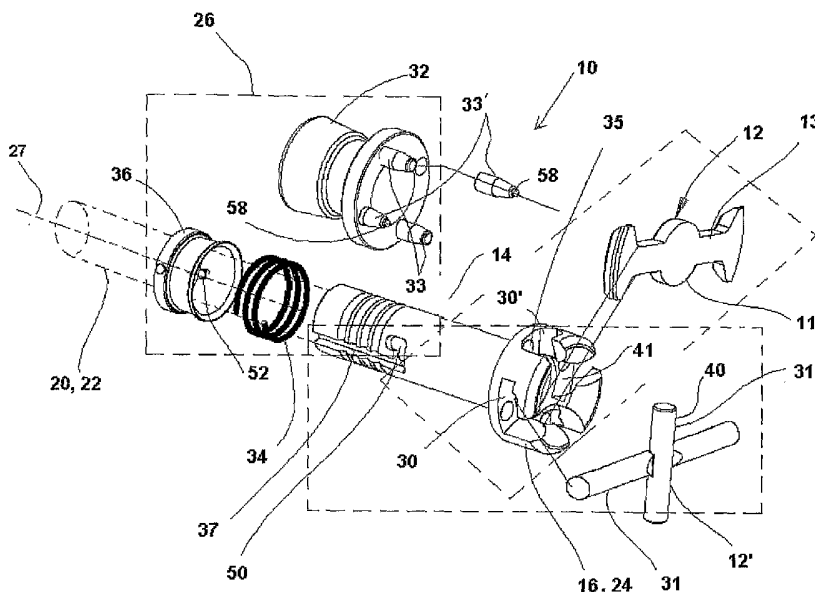
(84) Designated States (unless otherwise indicated, for every kind of regional protection available): ARIPO (BW, GH, GM, KE, LS, MW, MZ, NA, SD, SL, SZ, TZ, UG, ZM, ZW), Eurasian (AM, AZ, BY, KG, KZ, MD, RU, TJ, TM), European (AT, BE, BG, CH, CY, CZ, DE, DK, EE, ES, FI, FR, GB, GR, HU, IE, IT, LU, MC, NL, PL, PT, RO, SE, SI, SK, TR), OAPI (BF, BJ, CF, CG, CI, CM, GA, GN, GQ, GW, ML, MR, NE, SN, TD, TG).

**Declarations under Rule 4.17:**

— as to applicant's entitlement to apply for and be granted a patent (Rule 4.17(ii)) for the following designations AE, AG, AL, AM, AT, AU, AZ, BA, BB, BG, BR, BW, BY, BZ,

[Continued on next page]

(54) Title: DUAL REAMER HOLDER FOR SURGICAL USE



(57) Abstract: A surgical tool holder (10) has a shank (14) having a central axis (27), a first driveable end (22) and second coupling end (16). The second end has a coupling device (24) having interfaces each for mating with corresponding structures on the inside of a hollow reamer. The interfaces mate with centering structures at or near a base end of each tool, the tool being held in functional assembly to the shank by a releasable locking mechanism. The releasable locking mechanism includes a locking sleeve (36) slideably disposed about the shank, a spring (34) biased against the coupling device by the locking sleeve, and a connection device (50, 52) retaining the locking sleeve in a fixed position during use. Release of the connection device enables quick disassembly of the locking sleeve, spring and coupling device for cleaning and component sterilization.

WO 2004/100805 A1



- CA, CH, CN, CO, CR, CU, CZ, DE, DK, DM, DZ, EC, EE, EG, ES, FI, GB, GD, GE, GH, GM, HR, HU, ID, IL, IN, IS, JP, KE, KG, KP, KR, KZ, LC, LK, LR, LS, LT, LU, LV, MA, MD, MG, MK, MN, MW, MX, MZ, NA, NI, NO, NZ, OM, PG, PH, PL, PT, RO, RU, SC, SD, SE, SG, SK, SL, SY, TJ, TM, TN, TR, TT, TZ, UA, UG, UZ, VC, VN, YU, ZA, ZM, ZW, ARIPO patent (BW, GH, GM, KE, LS, MW, MZ, NA, SD, SL, SZ, TZ, UG, ZM, ZW), Eurasian patent (AM, AZ, BY, KG, KZ, MD, RU, TJ, TM), European patent (AT, BE, BG, CH, CY, CZ, DE, DK, EE, ES, FI, FR, GB, GR, HU, IE, IT, LU, MC, NL, PL, PT, RO, SE, SI, SK, TR), OAPI patent (BF, BJ, CF, CG, CI, CM, GA, GN, GQ, GW, ML, MR, NE, SN, TD, TG)
- as to the applicant's entitlement to claim the priority of the earlier application (Rule 4.17(iii)) for the following designations AE, AG, AL, AM, AT, AU, AZ, BA, BB, BG, BR, BW, BY, BZ, CA, CH, CN, CO, CR, CU, CZ, DE, DK, DM, DZ, EC, EE, EG, ES, FI, GB, GD, GE, GH, GM, HR, HU, ID, IL, IN, IS, JP, KE, KG, KP, KR, KZ, LC, LK, LR, LS, LT, LU, LV, MA, MD, MG, MK, MN, MW, MX, MZ, NA, NI, NO, NZ, OM, PG, PH, PL, PT, RO, RU, SC, SD, SE, SG, SK, SL, SY, TJ, TM, TN, TR, TT, TZ, UA, UG, UZ, VC, VN, YU, ZA, ZM, ZW, ARIPO patent (BW, GH, GM, KE, LS, MW, MZ, NA, SD, SL, SZ, TZ, UG, ZM, ZW), Eurasian patent (AM, AZ, BY, KG, KZ, MD, RU, TJ, TM), European patent (AT, BE, BG, CH, CY, CZ, DE, DK, EE, ES, FI, FR, GB, GR, HU, IE, IT, LU, MC, NL, PL, PT, RO, SE, SI, SK, TR), OAPI patent (BF, BJ, CF, CG, CI, CM, GA, GN, GQ, GW, ML, MR, NE, SN, TD, TG)
- of inventorship (Rule 4.17(iv)) for US only
- Published:**
- with international search report
- before the expiration of the time limit for amending the claims and to be republished in the event of receipt of amendments
- For two-letter codes and other abbreviations, refer to the "Guidance Notes on Codes and Abbreviations" appearing at the beginning of each regular issue of the PCT Gazette.

## DUAL REAMER HOLDER FOR SURGICAL USE

### CROSS REFERENCE TO RELATED APPLICATION

For the purposes of the US only, this PCT is a continuation-in-part application of a US patent application serial no. 10/441,148 that is a continuation-in-part of US patent application serial no 10/429,897, entitled Hand-Held Instrument Holder for Surgical Use, filed on May 5, 2003, this in turn being a continuation-in-part of US patent application serial no 10/391,464, entitled Tool Holder for a Surgical Tool, filed on March 18, 2003, which is in turn continuation of Ser. No. 09/902,369 filed on July 9, 2001, which in turn is a continuation of Ser. No. 602,341 filed June 24, 2000 and now U.S. Patent No. 6,264,647 issued July 24, 2001, the contents of which are incorporated herein by reference thereto.

### BACKGROUND OF THE INVENTION

This invention relates to surgical tool holders, and more particularly, to holders of rotary surgical cutting tools.

Surgical tools and their respective holders have to be kept clean and sterile before any use in a hospital environment in order to minimize risk of transfer of disease or infection from patient to patient following the emergence of certain "prions" that are not killed by normal hospital sterilization and thus need to be physically removed through washing and rinsing. A surgical tool, for example for preparing for the fitting of a hip prosthesis, works in a medium which causes considerable soiling of the tool and of the tool holder. Despite the importance of doing so, the thorough cleaning of these devices is difficult. Surgical tool holders of the prior art are designed such that washing and rinsing are generally not an effective way of cleaning the tool. This is due to the small spaces left between component parts which allow only minimal access by cleaning agents.

Further, among the many different styles of reamers used by surgeons in orthopaedic surgical operations, there are two that are particularly pervasive, yet which present different interfaces to the holders, thus not permitting a single reamer holder to be able to fasten to the two different interfaces. This requires that the two reamers each have a dedicated holder, which adds to the bulk and expense of surgical tool kits.

What is needed therefore is a surgical tool holder which is quickly and simply disassembled for cleaning and sterilization. Still further, what is needed is a dual reamer holder capable of holding the two different styles of reamers which are pervasively used in orthopaedic surgery.

5

#### SUMMARY OF THE INVENTION

The surgical tool holder of the invention has a shank having first driveable end and second coupling end, a coupling device mounted on the coupling end, and a locking mechanism. The coupling device has an interface thereon for receiving a tool, and includes two interfaces for mating with corresponding structures on the inside of an OTHY™ bar-boss as well as a PRECIMED™ cross-bar hollow surgical reamer. The locking mechanism is made up of an annular capture component, a spring, a locking sleeve which slides on the shank, and a locking device. The capture component is mounted so as to slide along the shank and includes two pairs of longitudinally protruding pins, the matching pin to the pair being positioned 180 degrees apart. In a preferred configuration, the four pins are spaced apart evenly on a circle centered on the axis of the shank.

The locking device cooperates with the capture component so as to lock the tool onto the interface. The spring biases the capture component in a locking direction and bears on the locking sleeve. The locking sleeve is disengageably lockable to the shank via a connection device. The connection device is preferably a bayonet mechanism.

The object of the invention is to enable quick disassembly for cleaning and component sterilization.

Another object of the invention is to provide one holder capable of holding the two pervasively used hollow reamers.

25

#### BRIEF DESCRIPTION OF THE DRAWINGS

The attached drawings show embodiments of the invention by way of example.

FIG. 1 is an exploded view of the tool holder of the invention, adjacent tools to which the holder interfaces.

FIG. 2 is an assembled, perspective view of a tool holder of the invention.

FIG. 3 is a perspective view of the tool holder of the invention holding an "OTHY"<sup>TM</sup> - type tool.

FIG. 4 is a perspective view of the tool holder of the invention holding a "PRECIMED"<sup>TM</sup>-type tool.

5 FIG. 5 is a perspective view of the tool holder of the invention, showing a lead-in chamfer to facilitate the insertion of a tool.

FIG. 6 is a perspective view of a tool kit of the invention.

#### DETAILED DESCRIPTION OF THE PREFERRED EMBODIMENT(S)

Referring now to FIG. 1, the dual surgical reamer holder 10 of the invention is shown. 10 The holder 10 connects to a surgical tool 12 or 12' to enable controlled manipulation of that tool. The holder 10 has a shank 14 having a coupling end 16, a drive interface 20 attached to an opposite end 22 (shown in phantom lines) of the shank (to which a handle 11 such as that shown in FIG. 6 is generally attached), a coupling device 24 and a locking mechanism 26. The coupling 15 end 16 has a series of bayonet grooves 30 therein, cut transverse to the central axis 27 of the shank 14, for receiving a cross bar 31 of the tool 12. The locking mechanism 26 is made up of a capture sleeve 32, a helical compression spring 34, a locking sleeve 36 all of which slide along the shank 14, and pin receiving holes 35. Preferably, to ensure that the tool 12' is retained in an axially aligned relationship with the holder 10, a central recess 41 capable of receiving a boss 11 on the tool 12 is centrally disposed in the coupling end 16 of the shank 14.

20 The annular capture sleeve 32 mounts so as to slide along the shank 14. Pins 33 are mounted in the capture sleeve 32 and enter into the corresponding holes 35 in the coupling end 16, thus preventing relative rotation of the sleeve 32 with respect to the shank 14.

Tool 12 has centering bars 40, also known as cross bars 31, which are received into recesses 55 in the capture sleeve 32, and then locked into the recesses when the capture sleeve is 25 biased up the shank into a locked position, thus ensuring that the cross bar is locked into the bayonet groove 30. Note that each groove 30 has a recess 53 in order to capture cross bars 31. The spring 34 biases the capture sleeve 32 in a locking direction, bearing against the locking sleeve 36. The locking sleeve 36 is disengageably lockable to the coupling end 16 of the shank 14 via a bayonet mechanism, which includes a bayonet slot 50 and a locking pin 52. The bayonet

slot 50 is cut in the coupling end 16 of the shank 14. The locking pin 52 is press fit into the locking sleeve 36.

The locking sleeve 36 locks over the shank 14 near the coupling end 16. The shank 14 has a longitudinal groove 37 within which the bayonet pin 52 slides so as to enable the locking pins 52 or 52' to freely slide along the shank 14 when the locking sleeve is unlocked and slid back along the shank, in order to provide cleaning access to all surfaces of the locking mechanism 26.

Referring now to FIGS. 2 - 4, all recesses 30 receive the cross bar 31 of the PRECIMED™ tool 12 (shown in FIG. 4) and specialized recesses 30' receive the boss 11 and rectangular arm 13 (shown in FIG. 3) of the OTHY™ reamer 12'. Note that the recesses 30' include a narrow rectangular arm receiving portion 53. Further, pins 52' include small nipples 58 on their ends, which enable the pins to lock in the cross bars 31 more fully, while rising along the shank 14 to the same position (approximately) as is the case when the arms 13 of the "OTHY" product are captured, thus ensuring that the visual impression of locking is consistent when locking either product into the holder 10, despite the different geometric configuration of the interfaces. Thus, the current embodiment requires that the user place the arm 13 of the "OTHY"™-type tool in the appropriate corresponding recesses 30'.

The pins 33 and 33' are chamfered or tapered in order to wedge the rectangular arm 13 or the bar 31 into the corresponding recesses 53 or 55 respectively, so as to eliminate play.

Referring now to FIG. 5, optionally, chamfered surfaces 60 facilitate the insertion of the rectangular arm 13 or the bar 31 into the corresponding recesses 30 or 30'.

In operation, the cross bar 31 or the bar 13 enters the appropriate bayonet groove 30 or 30' and is turned so as to move into the recess 55 or the receiving portion 53, as the case may be. The tool 12 or 12' is locked in this position when the capture sleeve 32 is raised into a position in which the pins 33 and 33' pass through the holes 35 and into recesses 30 and 30' of the holder 10 so as to lock the tool in place inside the recess.

To unlock the holder 10, the locking sleeve 36 is urged against the bias of spring 34 so as to lift it out of a bayonet seat 51, and then twisted so as to move the pin 52 out of the bayonet slot 50 in the coupling end 16 of the shank 14. The locking sleeve 36 may then be slid back along the

shank 14, releasing the spring 34 and the sleeve 32, and thereby providing cleaning and sterilization access to the recesses that might otherwise not be accessible.

Referring now to FIG. 6, a kit 150 is shown, including the tool holder 10, a PRECIMED™ -type reamer 130, an OTHY™-type reamer 132, and specialized reamers 134.

5 The components of the kit 150 are organized in a case 160 for convenience.

In an advantage of the invention, the bayonet mechanism holds the locking sleeve 36 and thus the spring 34 in an operational position, as well as enabling quick disassembly for cleaning and component sterilization.

10 In another advantage of the invention, the holder is adapted to hold more than one tool interface, thus minimizing the bulk and weight of a surgeon's tool kit.

In another advantage, the holder 10 of the invention minimizes play and maximizes alignment with the turning axis 27.

15 In another advantage, a kit is provided which presents the tool holder 10 and related components to the surgeon in a convenient, organized fashion.

Although illustrative embodiments of the invention have been shown and described, a wide range of modification, change and substitution is contemplated in the foregoing disclosure and in some instances, some features of the present invention may be employed without a  
20 corresponding use of the other features. The elastic devices used of course can be selected from a large variety of equivalents to a helical, compression spring, including, for example, leaf springs, flat springs, multiple compression springs, just to name a few. Still further, the connection mechanism can be substituted for a variety of connection mechanisms such as a threaded connection mechanism, a clasp, spring detents, or even magnetic retention devices. Accordingly  
25 it is appropriate that the appended claims be construed broadly and in a manner consistent with the scope of the invention.

1     **What is claimed is:**

1     1. A surgical tool holder (10) comprising a shank (14) having a central axis (27), a first driveable  
2     end and second coupling end, the second end comprising a coupling device (24) which couples to  
3     a corresponding structure of a reamer tool (12, 12', 139) and holds such tool in functional  
4     assembly to the shank by a releasable locking mechanism, the holder characterized by the fact  
5     that the coupling device (24) has at least two interfaces each for mating with the corresponding  
6     structures of at least two types of reamer tools (12, 12'), at the selection of the user, the releasable  
7     locking mechanism (26) comprising a locking sleeve (36) slideably disposed about the shank, a  
8     spring (34) biased against a capture sleeve (32) by the locking sleeve, and a connection device  
9     (50) retaining the locking sleeve in a fixed position during use, whereupon release of the  
10    connection device enables quick disassembly of the locking sleeve, spring and capture sleeve for  
11    cleaning and component sterilization.

1     2. The surgical tool holder of claim 1, wherein the capture sleeve (32) is longitudinally slideable  
2     along the shank (14), constrained to rotate with the shank and presenting longitudinally  
3     protruding pin pairs (33, 58), each pair being disposed about a circle centered on the axis of the  
4     shank and capable of passing through openings (35) in the coupling end of the shank and then  
5     into holder recesses (30, 30') so as to block a selected reamer tool (12, 12') in the corresponding  
6     holder recesses.

1     3. The surgical tool holder of claim 1, wherein a handle (11) is attached to the driveable end of  
2     the shank (14).

1     4. The surgical tool holder (10) of claim 2, wherein when the locking sleeve (36) is unlocked and  
2     slid back along the shank (14), cleaning access to all surfaces of the locking mechanism (26) is  
3     facilitated.

1     5. The surgical tool holder of claim 1, wherein a first interface (30) mates with a PRECIMED™  
2     cross bar reamer (12').

1     6. The surgical tool holder (10) of claim 1, wherein a second interface (30') mates with an  
2     OTHY™ bar boss reamer (12).

- 1 7. The surgical tool holder (10) of claim 1, wherein the spring (34) is a helical compression  
2 spring.
- 1 8. The surgical tool holder (10) of claim 1, wherein the connection device (50) is a bayonet  
2 mechanism.
- 1 9. The surgical tool holder (10) of claim 9, wherein the bayonet mechanism is comprised of a  
2 bayonet slot (50) and a locking pin (52).
- 1 10. The surgical tool holder (10) of the claim 9, wherein the bayonet slot is disposed on the  
2 shank.
- 1 11. A surgical tool holder (10) comprising a shank (14) having a central axis (27), a first  
2 driveable end and second coupling end, the second end comprising a coupling device (24) having  
3 at least two interfaces each for mating with corresponding structures of at least two types of  
4 reamer tools (12, 12'), at the selection of the user, the selected tool being held in functional  
5 assembly to the shank (14) by a releasable locking mechanism (26) comprised of a locking sleeve  
6 (36) slideably disposed about the shank, a spring (34) biased against a capture sleeve (32) by the  
7 locking sleeve, and a connection device (50) retaining the locking sleeve in a fixed position  
8 during use, whereupon release of the connection device enables quick disassembly of the locking  
9 sleeve, spring and capture sleeve for cleaning and component sterilization, wherein the capture  
10 sleeve (32) is longitudinally slideable along the shank (14), constrained to rotate with the shank  
11 and presenting longitudinally protruding pin pairs (33, 58), each pair being disposed about a  
12 circle centered on the axis of the shank and capable of passing through openings (35) in the  
13 coupling end of the shank and then into holder recesses (30, 30') so as to block a selected reamer  
14 tool (12, 12') in the corresponding holder recesses.
- 1 12. A tool kit (150) for surgical use, the tool kit including at least the following components:  
2 (a) a surgical tool holder (10) comprising a shank (14) having a central axis (27), a first  
3 driveable end and second coupling end, the second end comprising a coupling device (24) having  
4 at least two interfaces each for mating with corresponding structures (11, 13, 31, 40) of at least  
5 two types of reamer tools (12, 12'), at the selection of the user, the selected tool being held in  
6 functional assembly to the shank by a releasable locking mechanism (26) comprised of a locking  
7 sleeve (36) slideably disposed about the shank, a spring (34) biased against a capture sleeve (32)  
8 by the locking sleeve, and a connection device (50, 52) retaining the locking sleeve in a fixed

9 position during use, whereupon release of the connection device enables quick disassembly of the  
10 locking sleeve, spring and capture sleeve for cleaning and component sterilization;  
11 (b) at least one tool (12., 12', 134) selected from a group of tools consisting of  
12 PRECIMED™-type reamers (12'), OTHY™-type reamers (12), and specialized reamers (134);  
13 and  
14 (c) a case (160) for receiving the tool holder (10) and the at least one tool (12, 12', 134).

1/6

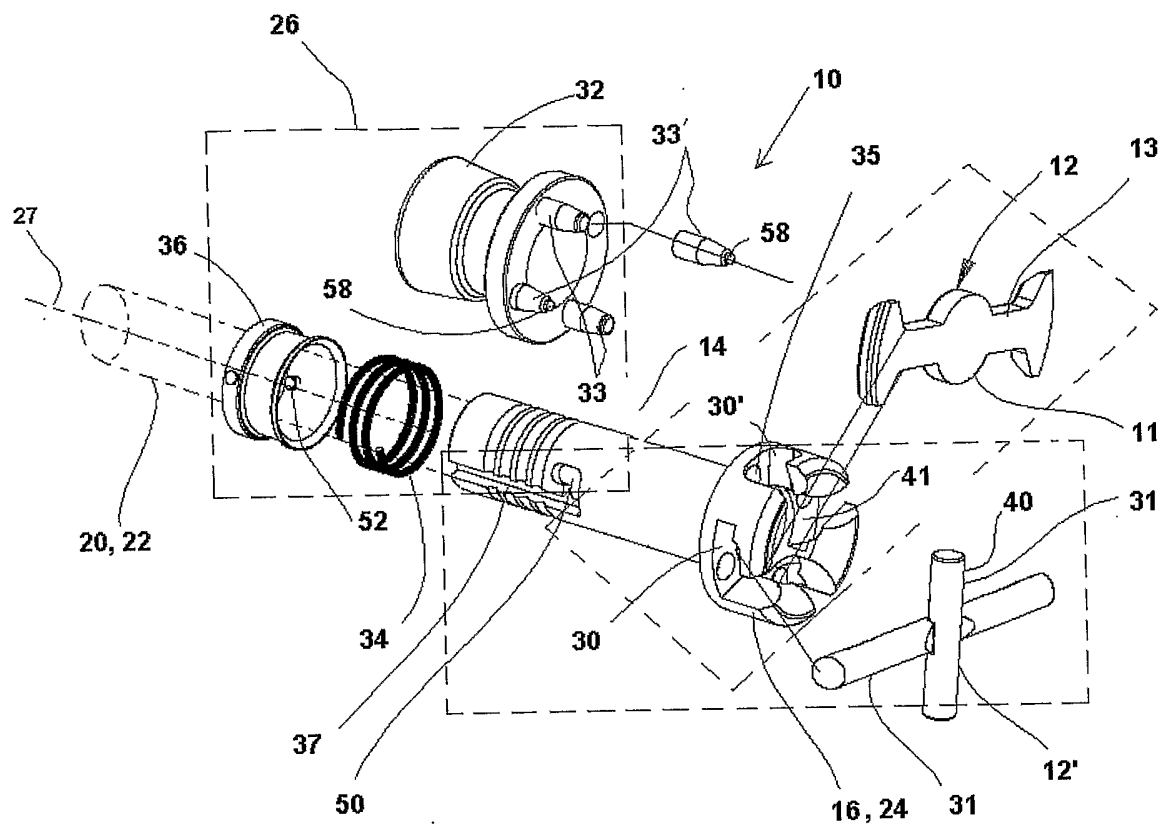


FIG. 1

2/6

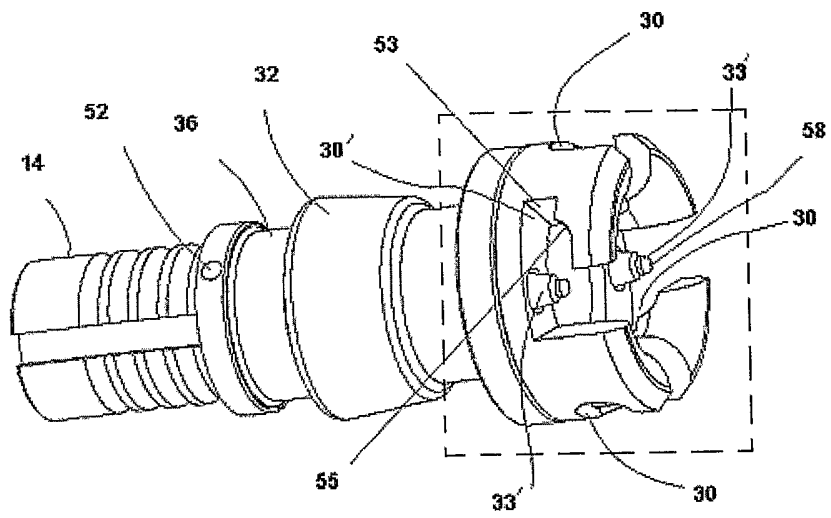


FIG. 2

3/6

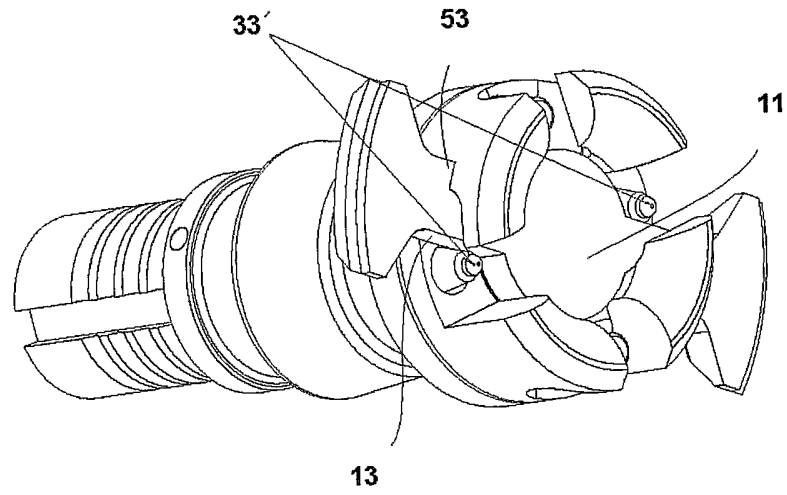


FIG. 3

4/6

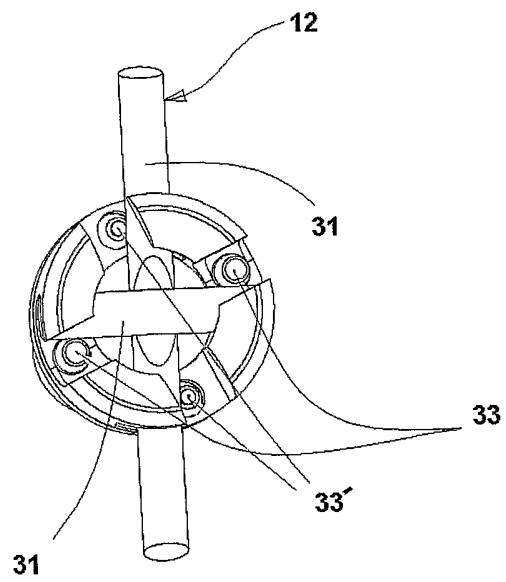


FIG. 4

5/6

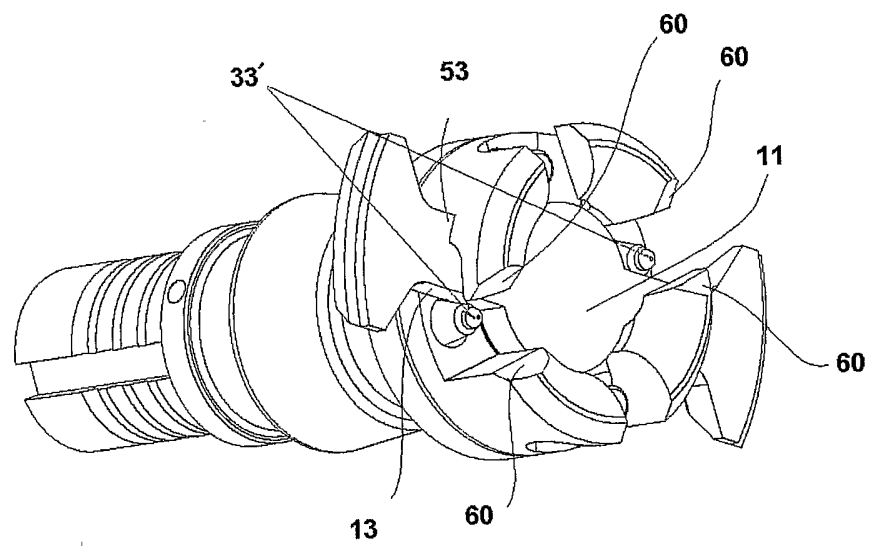


FIG. 5

6/6

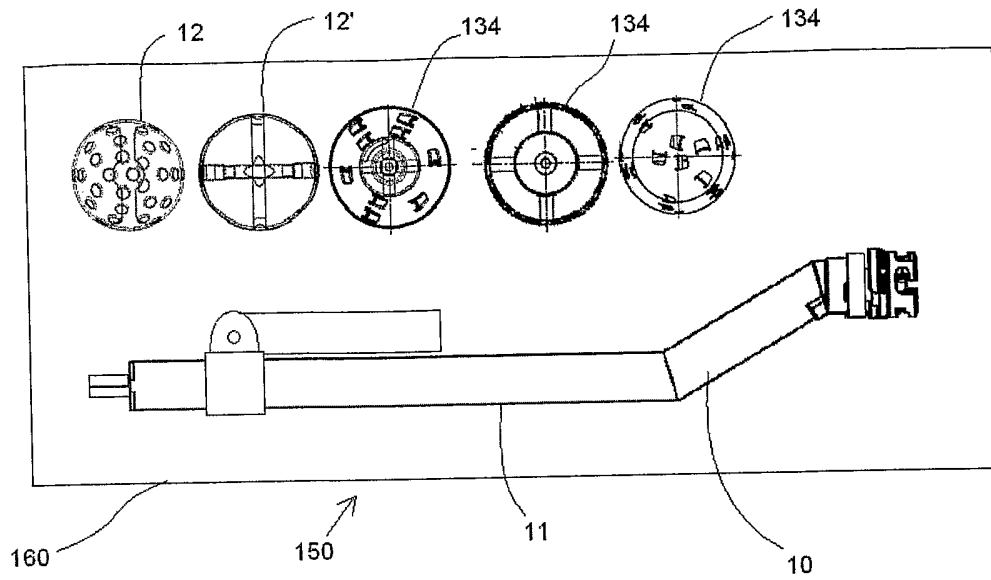


FIG. 6

# INTERNATIONAL SEARCH REPORT

International Application No  
PCT/IB2004/001712

<b>A. CLASSIFICATION OF SUBJECT MATTER</b> IPC 7 A61B17/16				
According to International Patent Classification (IPC) or to both national classification and IPC				
<b>B. FIELDS SEARCHED</b>				
Minimum documentation searched (classification system followed by classification symbols) IPC 7 A61B				
Documentation searched other than minimum documentation to the extent that such documents are included in the fields searched				
Electronic data base consulted during the international search (name of data base and, where practical, search terms used) EPO-Internal				
<b>C. DOCUMENTS CONSIDERED TO BE RELEVANT</b>				
Category °	Citation of document, with indication, where appropriate, of the relevant passages	Relevant to claim No.		
A	US 6 264 647 B1 (LECHOT ANDRE) 24 July 2001 (2001-07-24) the whole document	1, 11, 12		
A	EP 1 066 796 A (OTHY INC) 10 January 2001 (2001-01-10) the whole document	5, 12		
<input type="checkbox"/> Further documents are listed in the continuation of box C.				
<input checked="" type="checkbox"/> Patent family members are listed in annex.				
° Special categories of cited documents :				
<table style="width: 100%; border: none;"> <tr> <td style="width: 50%; vertical-align: top; border: none;">                     *A* document defining the general state of the art which is not considered to be of particular relevance                      *E* earlier document but published on or after the international filing date                      *L* document which may throw doubts on priority claim(s) or which is cited to establish the publication date of another citation or other special reason (as specified)                      *O* document referring to an oral disclosure, use, exhibition or other means                      *P* document published prior to the international filing date but later than the priority date claimed                 </td> <td style="width: 50%; vertical-align: top; border: none;">                     *T* later document published after the international filing date or priority date and not in conflict with the application but cited to understand the principle or theory underlying the invention                      *X* document of particular relevance; the claimed invention cannot be considered novel or cannot be considered to involve an inventive step when the document is taken alone                      *Y* document of particular relevance; the claimed invention cannot be considered to involve an inventive step when the document is combined with one or more other such documents, such combination being obvious to a person skilled in the art.                      *&amp;* document member of the same patent family                 </td> </tr> </table>			*A* document defining the general state of the art which is not considered to be of particular relevance *E* earlier document but published on or after the international filing date *L* document which may throw doubts on priority claim(s) or which is cited to establish the publication date of another citation or other special reason (as specified) *O* document referring to an oral disclosure, use, exhibition or other means *P* document published prior to the international filing date but later than the priority date claimed	*T* later document published after the international filing date or priority date and not in conflict with the application but cited to understand the principle or theory underlying the invention *X* document of particular relevance; the claimed invention cannot be considered novel or cannot be considered to involve an inventive step when the document is taken alone *Y* document of particular relevance; the claimed invention cannot be considered to involve an inventive step when the document is combined with one or more other such documents, such combination being obvious to a person skilled in the art. *&* document member of the same patent family
*A* document defining the general state of the art which is not considered to be of particular relevance *E* earlier document but published on or after the international filing date *L* document which may throw doubts on priority claim(s) or which is cited to establish the publication date of another citation or other special reason (as specified) *O* document referring to an oral disclosure, use, exhibition or other means *P* document published prior to the international filing date but later than the priority date claimed	*T* later document published after the international filing date or priority date and not in conflict with the application but cited to understand the principle or theory underlying the invention *X* document of particular relevance; the claimed invention cannot be considered novel or cannot be considered to involve an inventive step when the document is taken alone *Y* document of particular relevance; the claimed invention cannot be considered to involve an inventive step when the document is combined with one or more other such documents, such combination being obvious to a person skilled in the art. *&* document member of the same patent family			
Date of the actual completion of the International search	Date of mailing of the international search report			
5 October 2004	13/10/2004			
Name and mailing address of the ISA European Patent Office, P.B. 5818 Patentlaan 2 NL - 2280 HV Rijswijk Tel. (+31-70) 340-2040, Tx. 31 651 epo nl, Fax: (+31-70) 340-3016	Authorized officer  Hamann, J			

# INTERNATIONAL SEARCH REPORT

International Application No  
 PCT/IB2004/001712

Patent document cited in search report	Publication date	Patent family member(s)	Publication date
US 6264647	B1	24-07-2001	CN 1341402 A 27-03-2002
			EP 1129667 A1 05-09-2001
			US 2004102763 A1 27-05-2004
			US 2002002365 A1 03-01-2002
EP 1066796	A	10-01-2001	EP 1066796 A1 10-01-2001

# INTERNATIONAL SEARCH REPORT

International Application No  
PCT/IB2004/001712

Patent document cited in search report	Publication date	Patent family member(s)	Publication date	
US 6264647	B1	24-07-2001	CN 1341402 A	27-03-2002
			EP 1129667 A1	05-09-2001
			US 2004102763 A1	27-05-2004
			US 2002002365 A1	03-01-2002
EP 1066796	A	10-01-2001	EP 1066796 A1	10-01-2001