



US00D348238S

# United States Patent [19]

Ebbott

[11] Patent Number: **Des. 348,238**

[45] Date of Patent: **\*\* Jun. 28, 1994**

[54] **TIRE TREAD**

[75] Inventor: **Deborah L. Ebbott**, Cuyahoga Falls, Ohio

[73] Assignee: **The Goodyear Tire & Rubber Company**, Akron, Ohio

[\*] Notice: The portion of the term of this patent subsequent to Dec. 4, 2004 has been disclaimed.

[\*\*] Term: **14 Years**

[21] Appl. No.: **932,044**

[22] Filed: **Aug. 20, 1992**

[52] U.S. Cl. .... **D12/141**

[58] Field of Search ..... 152/209 R, 209 D; D12/141-143

[56] **References Cited**

**U.S. PATENT DOCUMENTS**

D. 241,242 8/1976 Candiliotis ..... D12/142

|            |         |                      |         |
|------------|---------|----------------------|---------|
| D. 260,250 | 8/1981  | Petitalot .....      | D12/143 |
| D. 265,184 | 6/1982  | Hammond .....        | D12/143 |
| D. 277,174 | 1/1985  | Casimiro et al. .... | D12/142 |
| D. 286,033 | 10/1986 | Motomura et al. .... | D12/142 |
| D. 312,601 | 12/1990 | Adam et al. ....     | D12/143 |

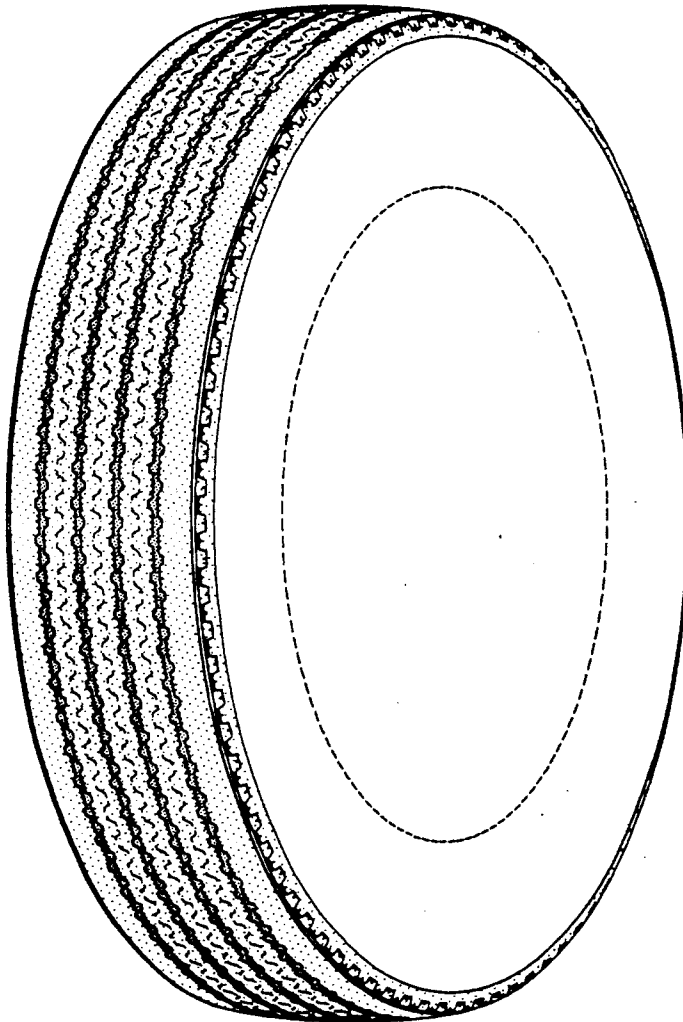
*Primary Examiner*—James M. Gandy  
*Attorney, Agent, or Firm*—T. P. Lewandowski

[57] **CLAIM**

The ornamental design for a tire tread, as shown and described.

**DESCRIPTION**

FIG. 1 is a perspective view of a tire tread showing my new design, it being understood that the pattern is repeated throughout the circumference thereof; FIG. 2 is a front elevational view thereof; FIG. 3 is a side elevational view thereof; and, FIG. 4 is an enlarged fragmentary front view thereof. The broken line showing of the tire sidewall in FIGS. 1, 2 and 3 of the drawing is for illustrative purposes only and forms no part of the claimed design.



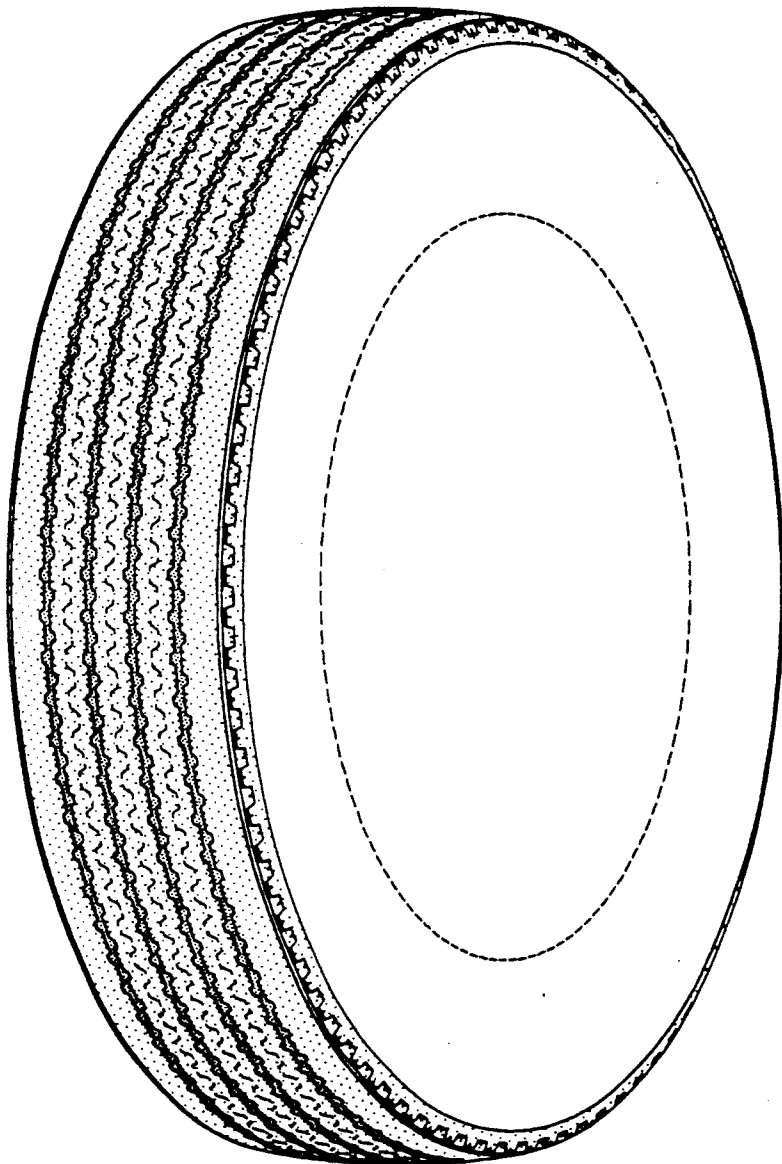


FIG-1

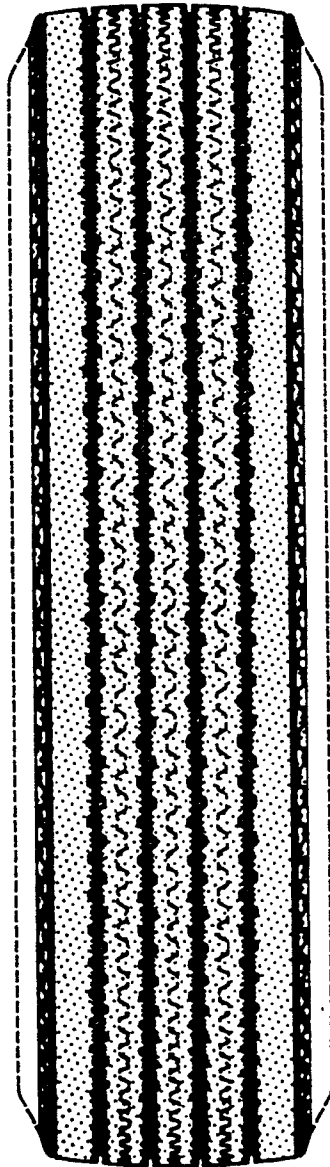


FIG-2

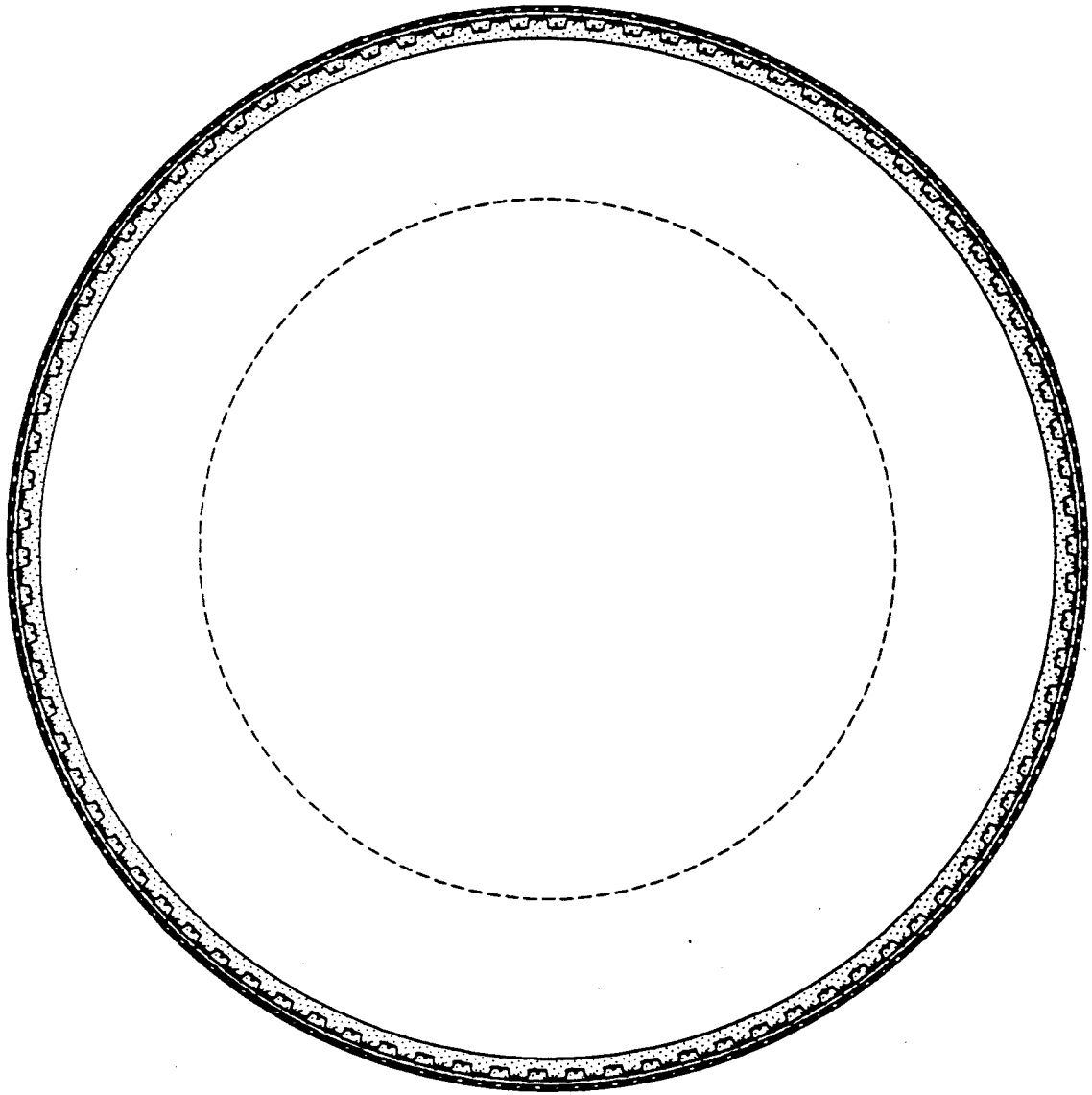


FIG-3

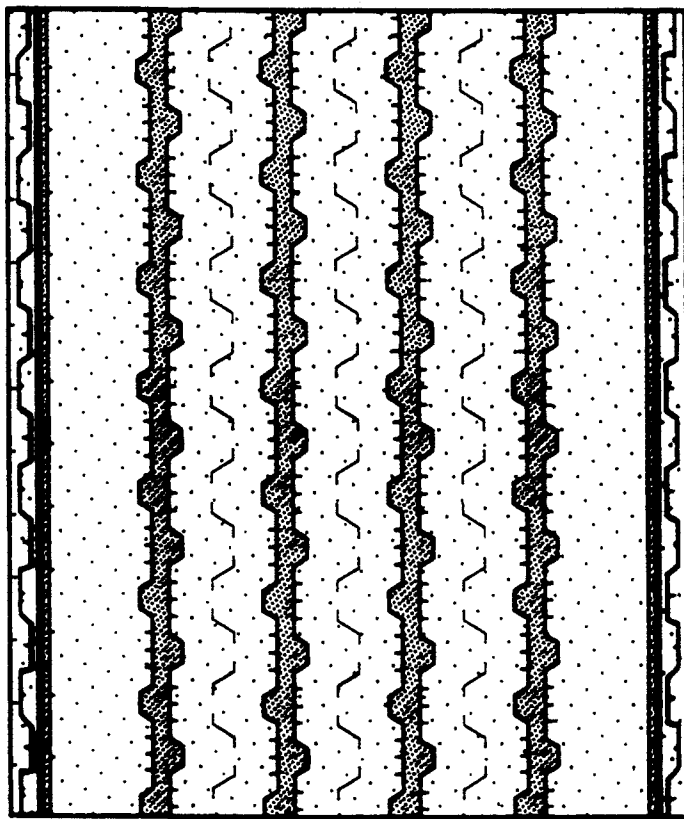


FIG-4